

JVC

SERVICE MANUAL

COMPACT COMPONENT SYSTEM

MX-JD3

Area suffix

US ----- Singapore
UX ----- Saudi Arabia
UN ----- Asean
UE ----- Turkey

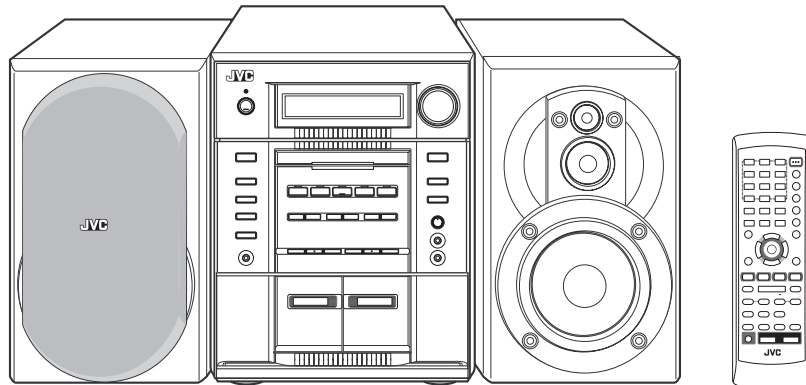


TABLE OF CONTENTS

1	PRECAUTION	1-3
2	SPECIFIC SERVICE INSTRUCTIONS	1-6
3	DISASSEMBLY	1-7
4	ADJUSTMENT	1-31
5	TROUBLESHOOTING	1-38

SPECIFICATION

Amplifier	Output Power		100 W per channel, min. RMS, driven into 6 Ω at 1 kHz with no more than 10% total harmonic distortion.	
	Audio input sensitivity/Impedance (Measured at 1 kHz, with tape recording signal 300 mV)	AUX	300 mV/47 k Ω	
		MIC 1/2	3.0 mV/50 k Ω	
	Digital output	OPTICAL DIGITAL OUTPUT	-21 dBm to -15 dBm (660 nm \pm 30 nm)	
	VIDEO OUT	Color system	NTSC/PAL selectable	
		VIDEO (composite)	1 V(p-p)/75 Ω	
		S-VIDEO	Y (luminance):	1 V(p-p)/75 Ω
			C (chrominance, burst):	0.286 V(p-p)/75 Ω
		COMPONENT (Interlace/Progressive)	(Y):	1 V(p-p)/75 Ω
		(PB/PR):	0.7 V(p-p)/75 Ω	
Speaker Terminals	Main speakers:	6 Ω - 16 Ω		
	Surround speakers:	16 Ω - 32 Ω		
Others			AV COMPU LINK \times 2 (\varnothing 3.5)	
Tuner	FM tuning range		87.50 MHz - 108.00 MHz	
	AM (MW) tuning range		531 kHz - 1 602 kHz (at 9 kHz)	
			530 kHz - 1 600 kHz (at 10 kHz)	
Disc player	Playable disc		DVD VIDEO/DVD AUDIO CD/VCD/SVCD CD-R/CD-RW (recorded in Audio CD/Video CD/ Super Video CD/MP3/ WMA/JPEG format) DVD-R/DVD-RW (recorded in video format)	
	Dynamic range		90 dB	
	Horizontal resolution		500 lines	
	Wow and flutter		Immeasurable	
	Cassette deck			
Frequency response	Normal (type I)	50 Hz - 14 000 Hz		
	Wow and flutter	0.15 % (WRMS)		
General	Power requirement		AC 110 V / AC 127 V / AC 220 V / AC 230 V - AC 240 V , (adjustable with the voltage selector), 50 Hz / 60 Hz	
	Power consumption		135 W (at operation) 17 W (on standby)	
	Dimensions (approx.)		265 mm \times 335 mm \times 352 mm (W/H/D)	
	Mass (approx.)		8.6 kg	
Speakers	Type		3-Way 3-Speaker Bass Reflex Type	
	Speaker Systems	Woofer	15 cm cone \times 1	
		Mid	5 cm cone \times 1	
		Tweeter	2 cm dome \times 1	
	Power handling capacity		100 W	
	Impedance		6 Ω	
	Frequency range		42 Hz - 37 000 Hz	
	Sound pressure level		83 dB/W·m	
	Dimensions (approx.)		205 mm \times 337 mm \times 240 mm (W/H/D)	
	Mass (approx.)		3.5 kg each	

Design and specifications are subject to change without notice.

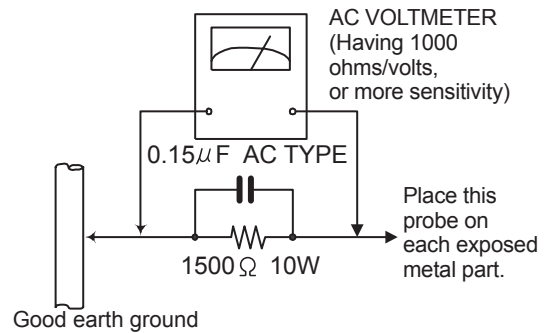
SECTION 1 PRECAUTION

1.1 Safety Precautions

- (1) This design of this product contains special hardware and many circuits and components specially for safety purposes. For continued protection, no changes should be made to the original design unless authorized in writing by the manufacturer. Replacement parts must be identical to those used in the original circuits. Services should be performed by qualified personnel only.
- (2) Alterations of the design or circuitry of the product should not be made. Any design alterations of the product should not be made. Any design alterations or additions will void the manufacturer's warranty and will further relieve the manufacturer of responsibility for personal injury or property damage resulting therefrom.
- (3) Many electrical and mechanical parts in the products have special safety-related characteristics. These characteristics are often not evident from visual inspection nor can the protection afforded by them necessarily be obtained by using replacement components rated for higher voltage, wattage, etc. Replacement parts which have these special safety characteristics are identified in the Parts List of Service Manual. Electrical components having such features are identified by shading on the schematics and by (Δ) on the Parts List in the Service Manual. The use of a substitute replacement which does not have the same safety characteristics as the recommended replacement parts shown in the Parts List of Service Manual may create shock, fire, or other hazards.
- (4) The leads in the products are routed and dressed with ties, clamps, tubings, barriers and the like to be separated from live parts, high temperature parts, moving parts and/or sharp edges for the prevention of electric shock and fire hazard. When service is required, the original lead routing and dress should be observed, and it should be confirmed that they have been returned to normal, after reassembling.
- (5) Leakage shock hazard testing
After reassembling the product, always perform an isolation check on the exposed metal parts of the product (antenna terminals, knobs, metal cabinet, screw heads, headphone jack, control shafts, etc.) to be sure the product is safe to operate without danger of electrical shock. Do not use a line isolation transformer during this check.
 - Plug the AC line cord directly into the AC outlet. Using a "Leakage Current Tester", measure the leakage current from each exposed metal part of the cabinet, particularly any exposed metal part having a return path to the chassis, to a known good earth ground. Any leakage current must not exceed 0.5mA AC (r.m.s.).
 - Alternate check method
Plug the AC line cord directly into the AC outlet. Use an AC voltmeter having, 1,000 Ω per volt or more sensitivity in the following manner. Connect a 1,500 Ω 10W resistor paralleled by a 0.15 μ F AC-type capacitor between an exposed metal part and a known good earth ground. Measure the AC voltage across the resistor with the AC

voltmeter.

Move the resistor connection to each exposed metal part, particularly any exposed metal part having a return path to the chassis, and measure the AC voltage across the resistor. Now, reverse the plug in the AC outlet and repeat each measurement. Voltage measured any must not exceed 0.75 V AC (r.m.s.). This corresponds to 0.5 mA AC (r.m.s.).



1.2 Warning

- (1) This equipment has been designed and manufactured to meet international safety standards.
- (2) It is the legal responsibility of the repairer to ensure that these safety standards are maintained.
- (3) Repairs must be made in accordance with the relevant safety standards.
- (4) It is essential that safety critical components are replaced by approved parts.
- (5) If mains voltage selector is provided, check setting for local voltage.

1.3 Caution

Burrs formed during molding may be left over on some parts of the chassis.

Therefore, pay attention to such burrs in the case of pre-forming repair of this system.

1.4 Critical parts for safety

In regard with component parts appearing on the silk-screen printed side (parts side) of the PWB diagrams, the parts that are printed over with black such as the resistor (■), diode (■) and ICP (●) or identified by the " Δ " mark nearby are critical for safety. When replacing them, be sure to use the parts of the same type and rating as specified by the manufacturer. (This regulation does not Except the J and C version)

1.5 Preventing static electricity

Electrostatic discharge (ESD), which occurs when static electricity stored in the body, fabric, etc. is discharged, can destroy the laser diode in the traverse unit (optical pickup). Take care to prevent this when performing repairs.

1.5.1 Grounding to prevent damage by static electricity

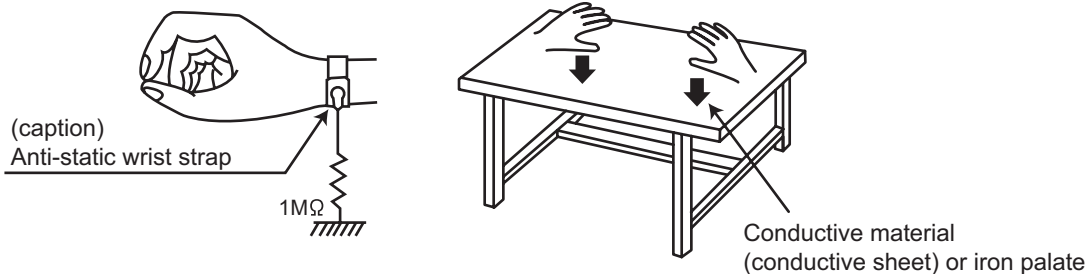
Static electricity in the work area can destroy the optical pickup (laser diode) in devices such as laser products. Be careful to use proper grounding in the area where repairs are being performed.

(1) Ground the workbench

Ground the workbench by laying conductive material (such as a conductive sheet) or an iron plate over it before placing the traverse unit (optical pickup) on it.

(2) Ground yourself

Use an anti-static wrist strap to release any static electricity built up in your body.



(3) Handling the optical pickup

- In order to maintain quality during transport and before installation, both sides of the laser diode on the replacement optical pickup are shorted. After replacement, return the shorted parts to their original condition. (Refer to the text.)
- Do not use a tester to check the condition of the laser diode in the optical pickup. The tester's internal power source can easily destroy the laser diode.

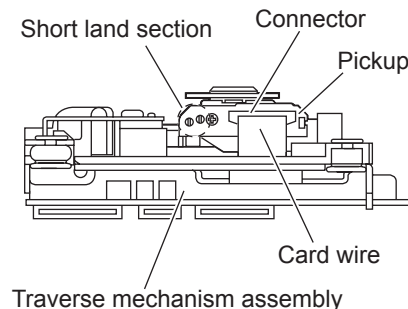
1.6 Handling the traverse unit (optical pickup)

- (1) Do not subject the traverse unit (optical pickup) to strong shocks, as it is a sensitive, complex unit.
- (2) Cut off the shorted part of the flexible cable using nippers, etc. after replacing the optical pickup. For specific details, refer to the replacement procedure in the text. Remove the anti-static pin when replacing the traverse unit. Be careful not to take too long a time when attaching it to the connector.
- (3) Handle the flexible cable carefully as it may break when subjected to strong force.
- (4) It is not possible to adjust the semi-fixed resistor that adjusts the laser power. Do not turn it.

1.7 Attention when traverse unit is decomposed

***Please refer to "Disassembly method" in the text for the pickup unit.**

- Apply solder to the short land sections before the flexible wire is disconnected from the connecto on the servo board. (If the flexible wire is disconnected without applying solder, the pickup may be destroyed by static electricity.)
- In the assembly, be sure to remove solder from the short land sections after connecting the flexible wire.



1.8 Important for laser products

1.CLASS 1 LASER PRODUCT


2.DANGER : Invisible laser radiation when open and interlock failed or defeated. Avoid direct exposure to beam.

3.CAUTION : There are no serviceable parts inside the Laser Unit. Do not disassemble the Laser Unit. Replace the complete Laser Unit if it malfunctions.

4.CAUTION : The CD,MD and DVD player uses invisible laser radiation and is equipped with safety switches which prevent emission of radiation when the drawer is open and the safety interlocks have failed or are defeated. It is dangerous to defeat the safety switches.

5.CAUTION : If safety switches malfunction, the laser is able to function.

6.CAUTION : Use of controls, adjustments or performance of procedures other than those specified here in may result in hazardous radiation exposure.

 **CAUTION** Please use enough caution not to see the beam directly or touch it in case of an adjustment or operation check.

CAUTION : Visible and invisible laser radiation when open and interlock failed or defeated.

AVOID DIRECT EXPOSURE TO BEAM.

ADVARSEL : Synlig og usynlig laserstråling når maskinen er åben eller interlocken fejler. Undgå direkte eksponering til stråling.

VARNING : Synlig och osynlig laserstråling när den öppnas och spärren är urkopplad. Betrakta ej strålen.

VARO : Avattaessa ja suojalukitus ohitettuna tai viallisena olet alltiina näkyvälle ja näkymättömälle lasersäteilylle. Vältä säteen kohdistumista suoraan itseesi.

REPRODUCTION AND POSITION OF LABELS

WARNING LABEL

CAUTION : Visible and invisible laser radiation when open and interlock failed or defeated. AVOID DIRECT EXPOSURE TO BEAM. (e)	ADVARSEL : Synlig og usynlig laserstråling når maskinen er åben eller interlocken fejler. Undgå direkte eksponering til stråling. (d)	VARNING : Synlig och osynlig laserstråling när den öppnas och spärren är urkopplad. Betrakta ej strålen. (s)	VARO : Avattaessa ja suojalukitus ohitettuna tai viallisena olet alltiina näkyvälle ja näkymättömälle lasersäteilylle. Vältä säteen kohdistumista suoraan itseesi. (f)
---	--	---	---

CLASS 1
LASER PRODUCT

CAUTION : Visible and invisible laser radiation when open and interlock failed or defeated. AVOID DIRECT EXPOSURE TO BEAM. (e)	VARO : Avattaessa ja suojalukitus ohitettuna tai viallisena olet alltiina näkyvälle ja näkymättömälle lasersäteilylle. Vältä säteen kohdistumista suoraan itseesi. (f)
VARNING : Synlig och osynlig laserstråling när den öppnas och spärren är urkopplad. Betrakta ej strålen. (s)	ADVARSEL : Synlig og usynlig laserstråling når maskinen er åben eller interlocken fejler. Undgå direkte eksponering til stråling. (d)

SECTION 2
SPECIFIC SERVICE INSTRUCTIONS

This service manual does not describe SPECIFIC SERVICE INSTRUCTIONS.

SECTION 3 DISASSEMBLY

3.1 Main body section

3.1.1 Removing the metal cover

(See Figs.1 to 3)

- (1) From the both sides of the main body, remove the two screws **A** attaching the metal cover. (See Figs.1 and 2.)
- (2) From the back side of the main body, remove the six screws **B** attaching the metal cover. (See Fig.23.)
- (3) Remove the metal cover from the main body while lifting the rear section of the metal cover in the direction of the arrow. (See Figs.1 and 2.)

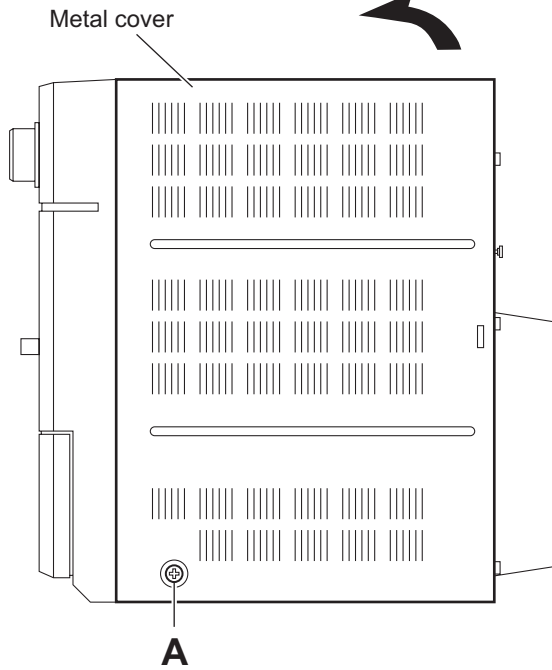


Fig.1

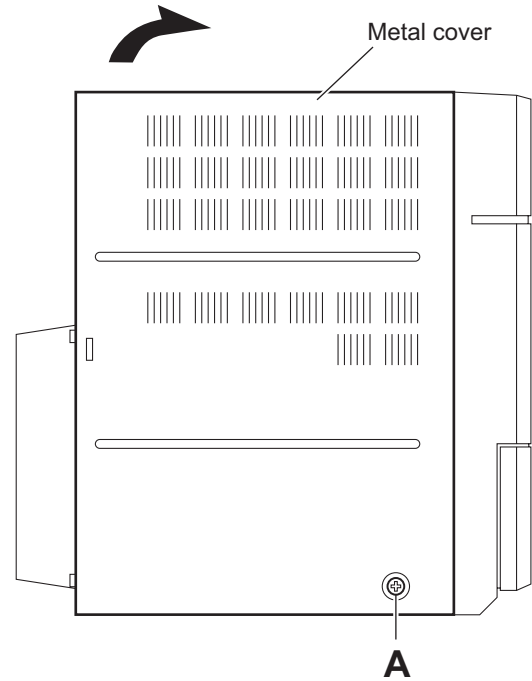


Fig.2

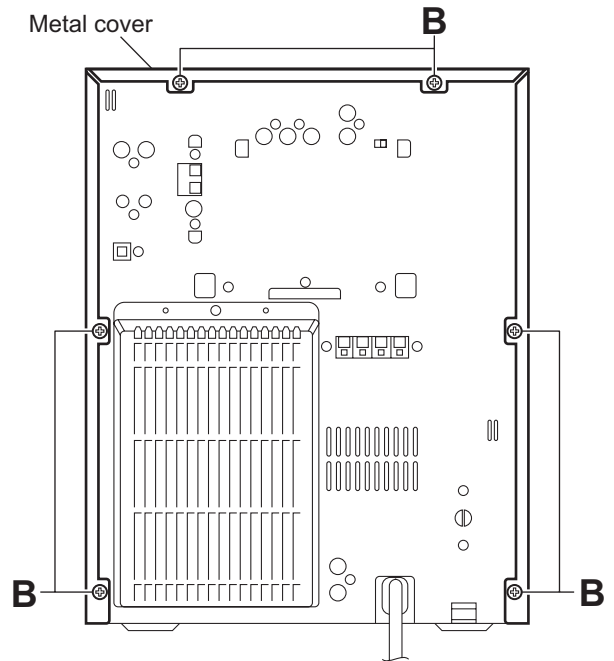


Fig.3

3.1.2 Removing the front panel assembly (See Figs.4 to 7)

- Prior to performing the following procedures, remove the metal cover.

(1) From the right side of the main body, remove the screw **C** attaching the earth wires on the reverse side of the main board. (See Fig.4.)

Reference:

After attaching the earth wires, fix them with a spacer as before. (See Fig.4.)

(2) Remove the plastic rivet attaching the main board. (See Fig.4.)

(3) From the inside of the main body, disconnect the card wires from the connectors (CN303, CN860, CN880) on the forward side of the main board. (See Fig.4.)

(4) Remove the wire clamp fixing the wires and disconnect the wires from the connector (CN301, CN302) on the forward side of the main body. (See Fig.5.)

Reference:

After connecting the wires to the connectors, fix the wires with the wire clamp as before. (See Fig.5.)

(5) From the left side of the main body, disconnect the parallel wire from the connector CN101 on the transformer board. (See Fig.5.)

(6) Disconnect the wire from the connector CN119 on the transformer board. (See Fig.5.)

Reference:

After connecting the wire, pass the wire through the slot **b** of the holder board as before. (See Fig.5.)

(7) Remove the tie band fixing the wire and disconnect the wire from the connector CN106 on the speaker terminal board. (See Fig.5.)

Reference:

- After connecting the wire, fix the wire with a new tie band as before. (See Fig.5.)

- After connecting the wire, pass the wire through the slot **b** of the holder board as before. (See Fig.5.)

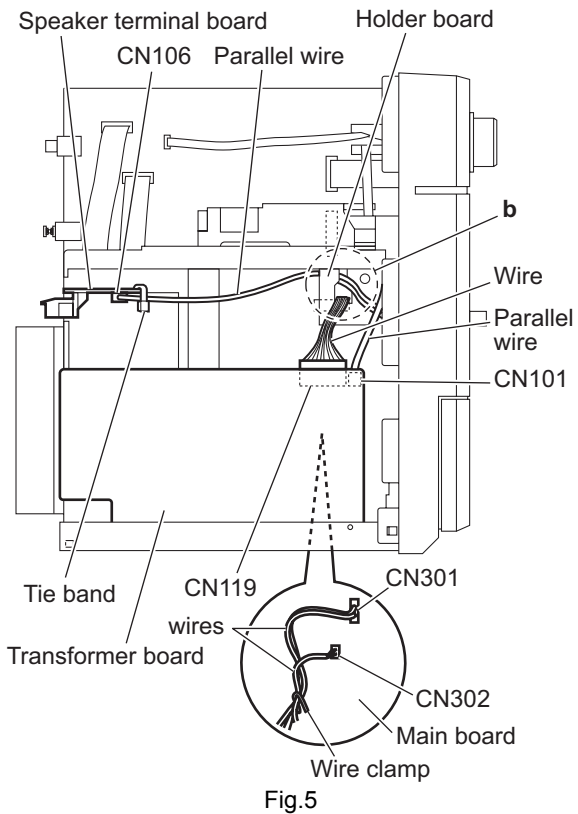
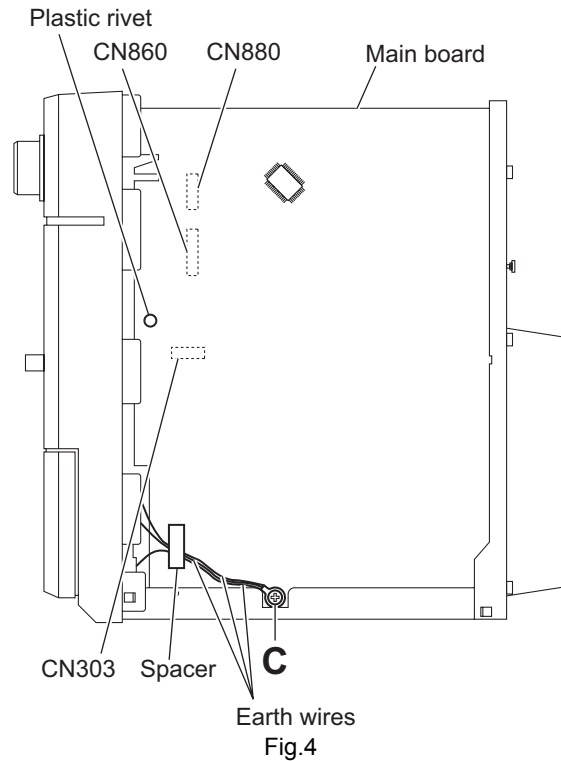
(8) From the top side of the main body, remove the screw **D** and screw **D'** attach the front panel assembly to the main body. (See Fig.6.)

Reference:

When attaching the screw **D'**, attach the earth wire with it. (See Fig.6.)

(9) From the bottom side of the main body, remove the two screws **E** and two screws **F** attaching the front panel assembly. (See Fig.7.)

(10) Release the claws **a**, remove the front panel assembly from the main body in the direction of the arrow. (See Fig.7.)



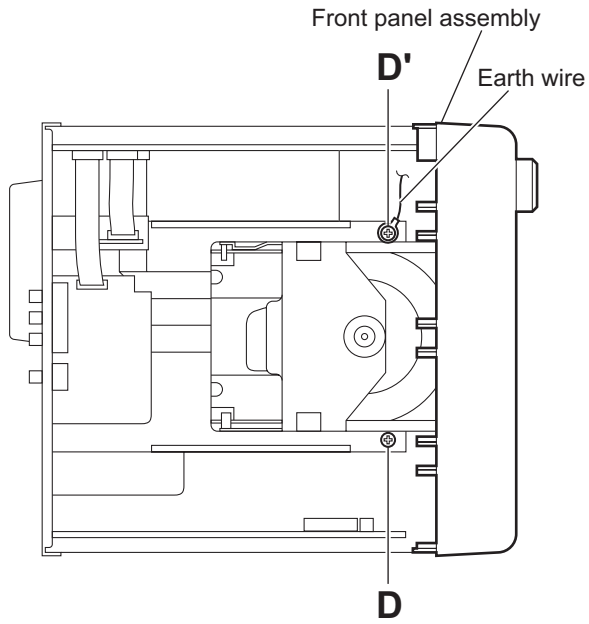


Fig.6

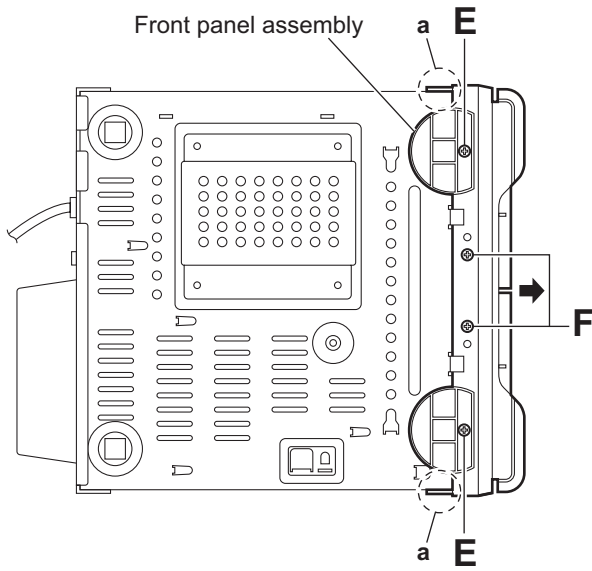
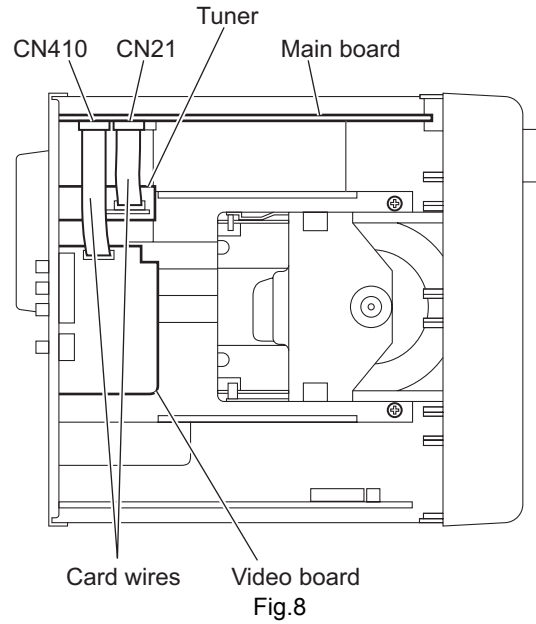


Fig.7

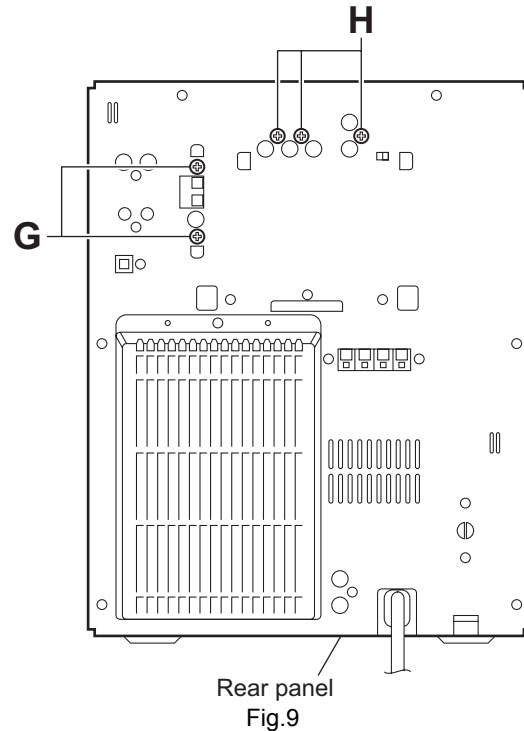
3.1.3 Removing the tuner (See Figs.8 and 9.)

- Prior to performing the following procedures, remove the metal cover.
 - (1) From the top side of the main body, disconnect the card wire from the connector [CN21](#) on the main board. (See Fig.8.)
 - (2) From the back side of the main body, remove the two screws **G** attaching the tuner to the rear panel. (See Fig.9.)



3.1.4 Removing the video board (See Figs.8 and 9.)

- Prior to performing the following procedures, remove the metal cover.
 - (1) From the top side of the main body, disconnect the card wire from the connector [CN410](#) on the main board. (See Fig.8.)
 - (2) From the back side of the main body, remove the two screws **H** attaching the video board to the rear panel. (See Fig.9.)



3.1.5 Removing the rear panel (See Figs.8 to 11)

- Prior to performing the following procedures, remove the metal cover.

- (1) From the back side of the main body, remove the screw **J** attaching the rear cover. (See Fig.10.)
- (2) Release the sections **c** and remove the rear cover from the rear panel. (See Fig.10.)
- (3) Remove the two screws **K** and nineteen screws **L** attaching the rear panel. (See Fig.11.)

Reference:

Remove the tuner and video board as required. (See Figs.8 and 9.)

- (4) From the both sides of the main body, release the sections **d** of the center chassis in the direction of the arrow and release the joints **e** attaching the rear panel to the bottom chassis. (See Fig. 11.)

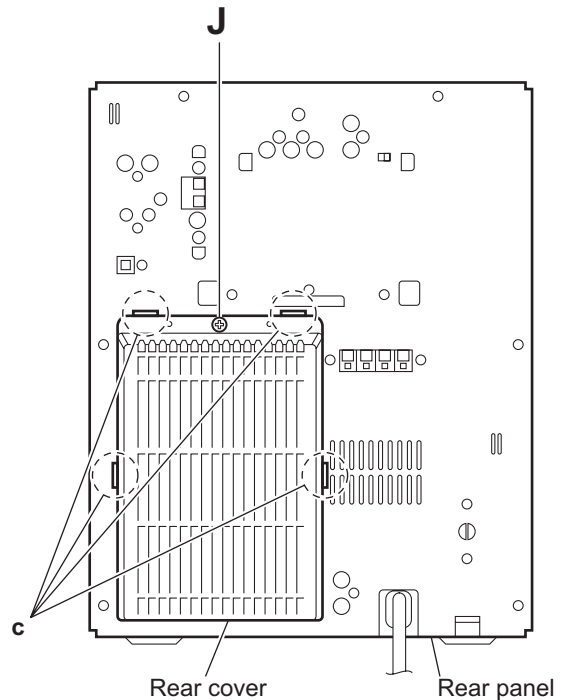


Fig.10

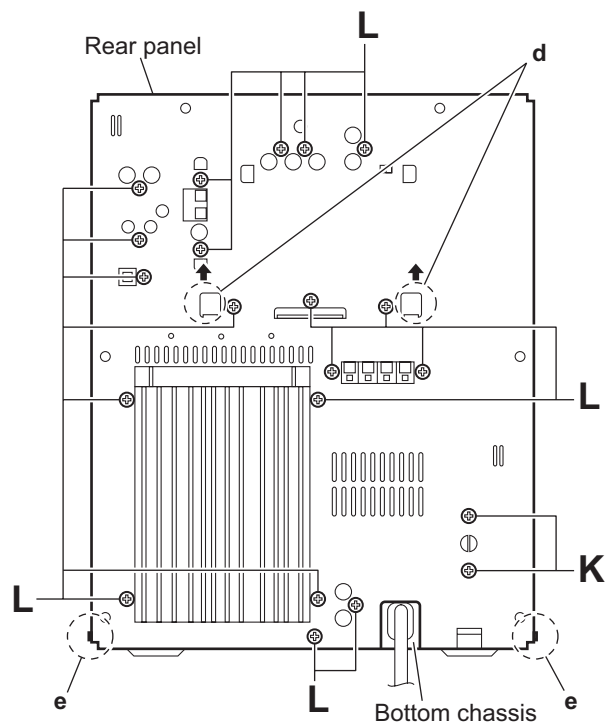


Fig.11

3.1.6 Removing the DVD mechanism assembly (See Figs.12 and 13)

- Prior to performing the following procedures, remove the metal cover, tuner and video board.

- (1) From the top side of the main body, remove the three screws **M** attaching the DVD mechanism assembly on the center chassis. (See Fig.12.)
- (2) From the forward side of the main board, disconnect the card wires from the connectors ([CN11](#), [CN511](#), [CN513](#)). (See Fig.12.)

Reference:

When reassembly, pass the card wire through the section **f** of the main board before connecting the card wire to the connector [CN11](#). (See Fig.12.)

- (3) Remove the spacers fixing the card wires. (See Fig.12.)

Reference:

After connecting the card wires, fix them with the spacers as before. (See Fig.12.)

- (4) From the inside of the main body, take out the DVD mechanism assembly.
- (5) Remove the tray fitting from the DVD mechanism assembly in the direction of the arrow. (See Fig.13.)

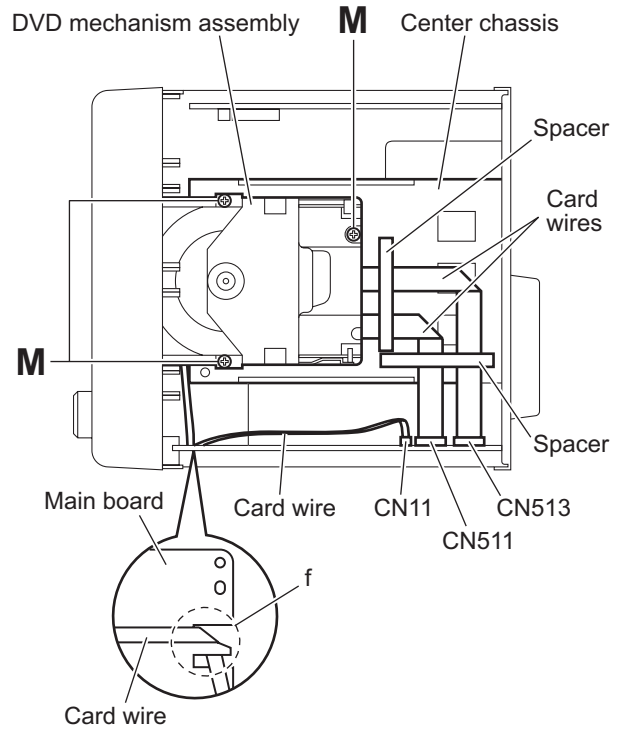


Fig.12

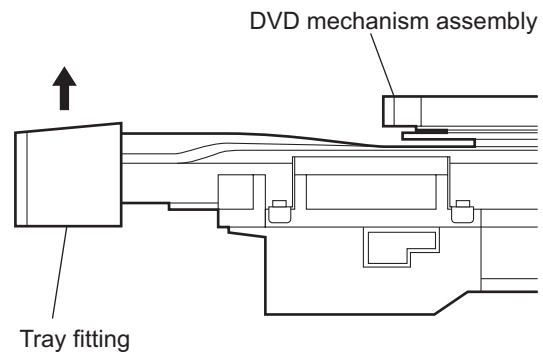


Fig.13

3.1.7 Removing the main board (See Figs.14 and 15)

- Prior to performing the following procedures, remove the metal cover, tuner, video board and rear panel.

(1) From the right side of the main body, remove the screw **N** attaching the earth wires on the reverse side of the main board. (See Fig.14.)

Reference:

After attaching the earth wires, fix them with a spacer as before. (See Fig.14.)

(2) Remove the plastic rivet attaching the main board. (See Fig.14.)

(3) From the inside of the main body, disconnect the card wires from the connectors ([CN11](#), [CN303](#), [CN511](#), [CN513](#), [CN860](#), [CN880](#)) on the forward side of the main board. (See Figs.14 and 15.)

Reference:

When reassembly, pass the card wire through the section **f** of the main board before connecting the card wire to the connector [CN11](#). (See Fig.14.)

(4) Remove the wire clamp fixing the wires and disconnect the wires from the connector ([CN301](#), [CN302](#)) on the forward side of the main body. (See Fig.15.)

Reference:

After connecting the wires to the connectors, fix the wires with the wire clamp as before. (See Fig.15.)

(5) Disconnect the parallel wire from the connectors ([CN220](#), [CN221](#)) on the main board. (See Fig.15.)

(6) Release the lock **g** of the connector [CN216](#) on the main board in the direction of the arrow **1** and disconnect the main board from the connector [CN216](#) on the speaker terminal board toward this side. (See Fig.14.)

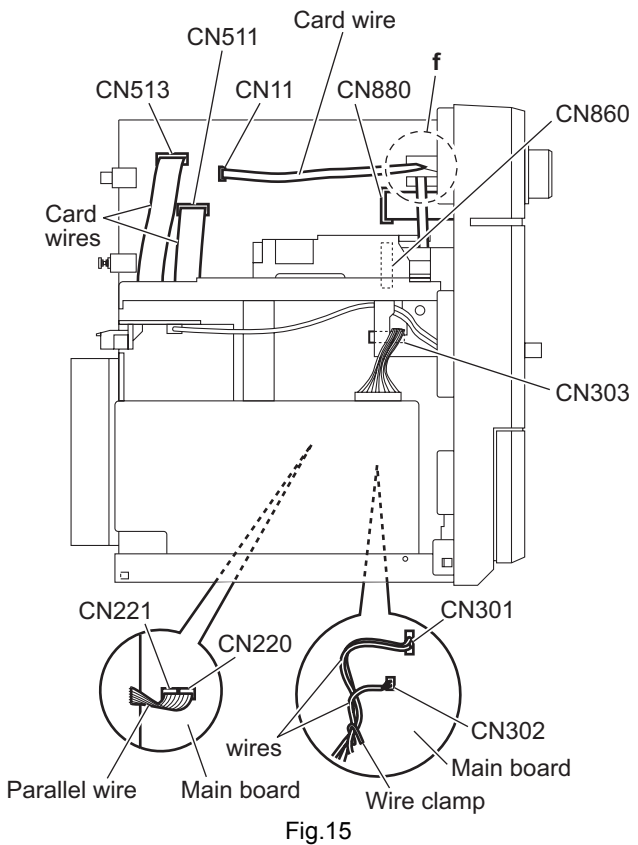
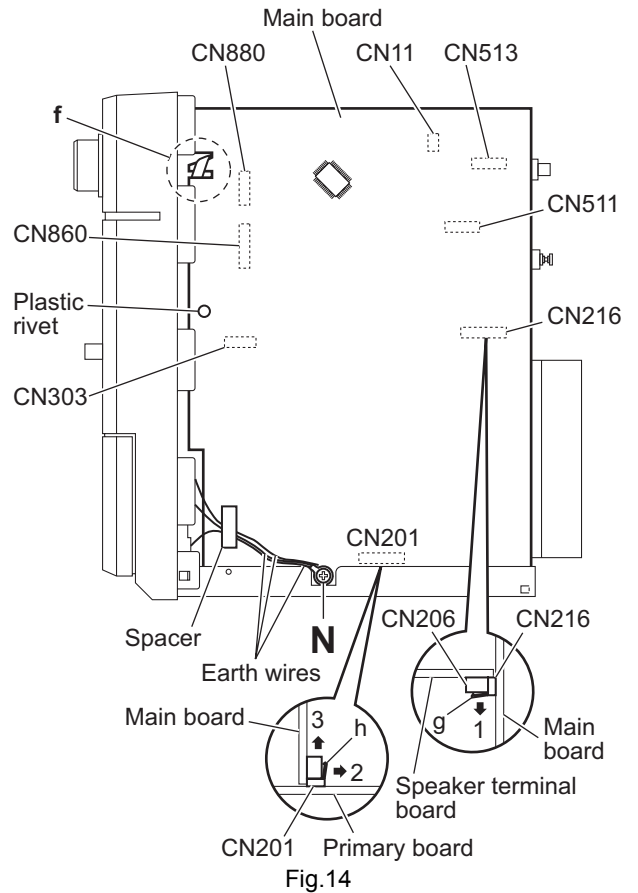
Note:

When releasing the lock **g** of the connector [CN216](#), take care not to break the lock. (See Fig.14.)

(7) Release the lock **h** of the connector [CN201](#) on the primary board in the direction of the arrow **2** and disconnect the main board from the connector [CN201](#) in the direction of the arrow **3**. (See Fig.14.)

Note:

When releasing the lock **h** of the connector [CN201](#), take care not to break the lock. (See Fig.14.)



3.1.8 Removing the center chassis assembly (See Fig.16)

- Prior to performing the following procedures, remove the metal cover, tuner, video board and rear panel.

(1) From the top side of the main body, disconnect the card wires from the connectors (CN11, CN511, CN513) on the main board.

Reference:

When reassembly, pass the card wire through the section **f** of the main board before connecting the card wire to the connector CN11.

- (2) Disconnect the wire from the connector CN105 on the speaker terminal board.
- (3) Remove the two screws **P** attaching the center chassis assembly.
- (4) Take out the center chassis assembly from the main body.

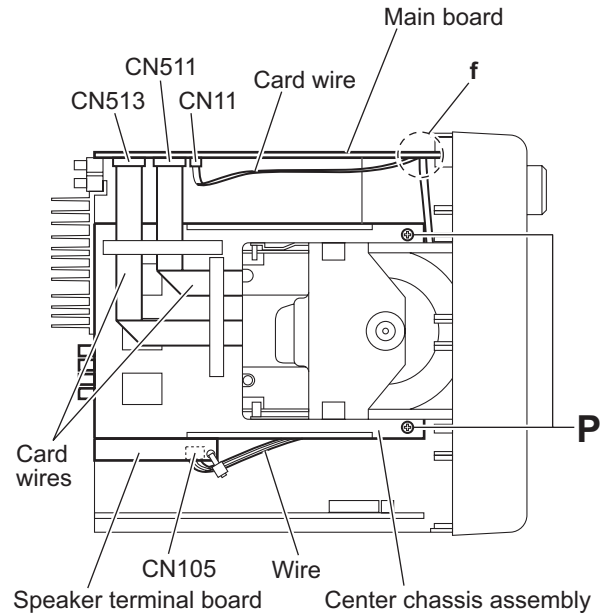


Fig.16

3.1.9 Removing the fan (See Fig.17)

- Prior to performing the following procedure, remove the metal cover, tuner, video board, rear panel and center chassis assembly.

From the bottom side of the center chassis assembly, remove the two screws **Q** attaching the fan.

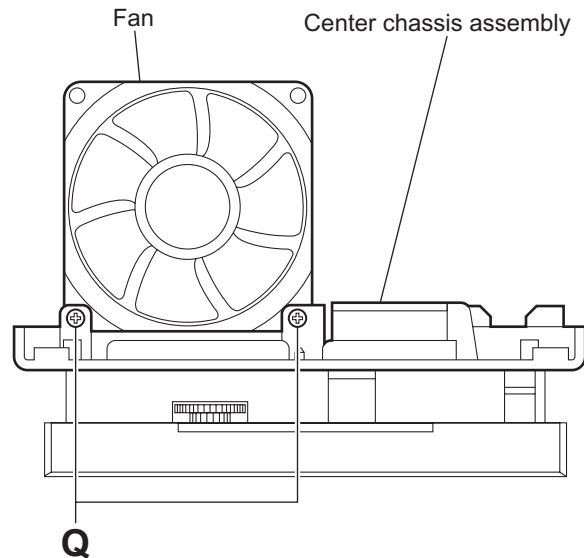
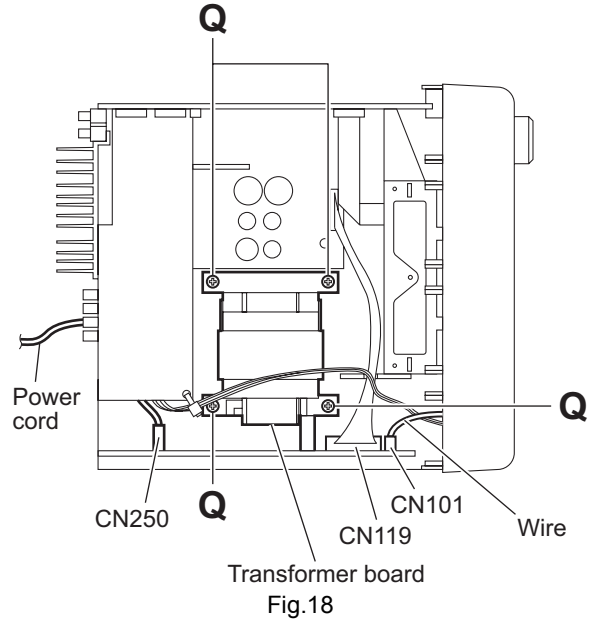


Fig.17

3.1.10 Removing the transformer board

(See Fig.18)

- Prior to performing the following procedure, remove the metal cover, tuner, video board, rear panel and center chassis assembly.
 - (1) From the top side of the main body, disconnect the wires from the connectors (CN119, CN250) on the transformer board.
 - (2) Disconnect the parallel wire from the connector CN101 on the transformer board.
 - (3) Remove the four screws Q attaching the transformer board and take out the transformer board from the main board.



3.1.11 Removing the speaker terminal board

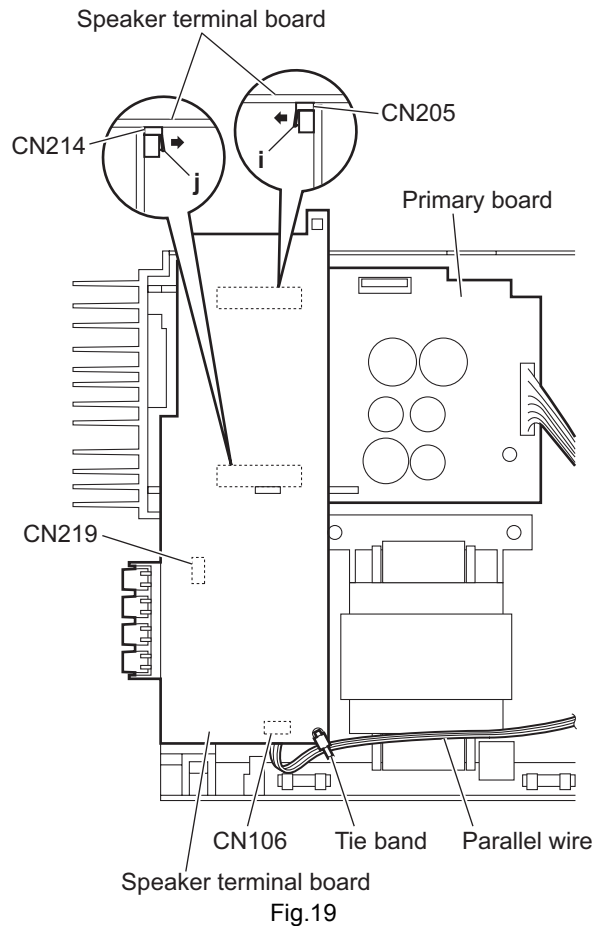
(See Fig.19.)

- Prior to performing the following procedure, remove the metal cover, tuner, video board, rear panel, main board and center chassis assembly.
 - (1) From the top side of the main body, remove the tie band fixing the parallel wire.

Reference:

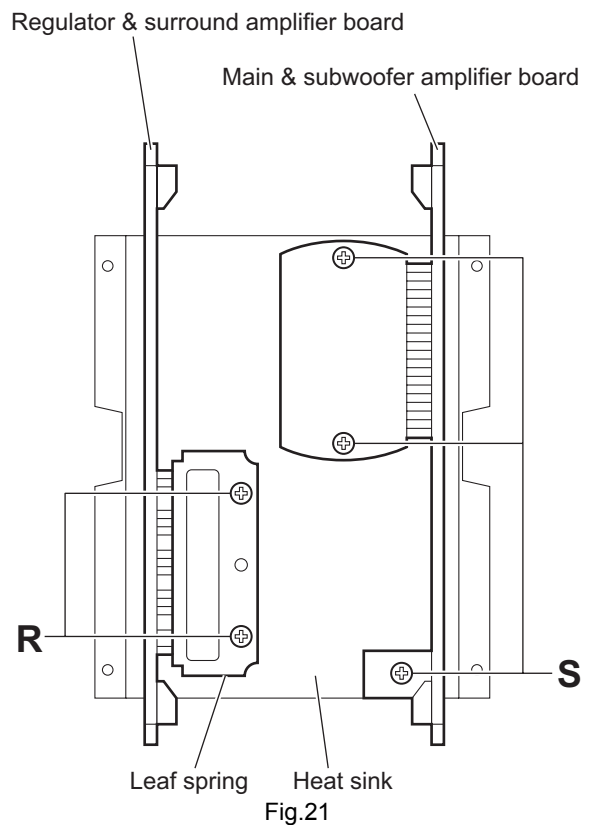
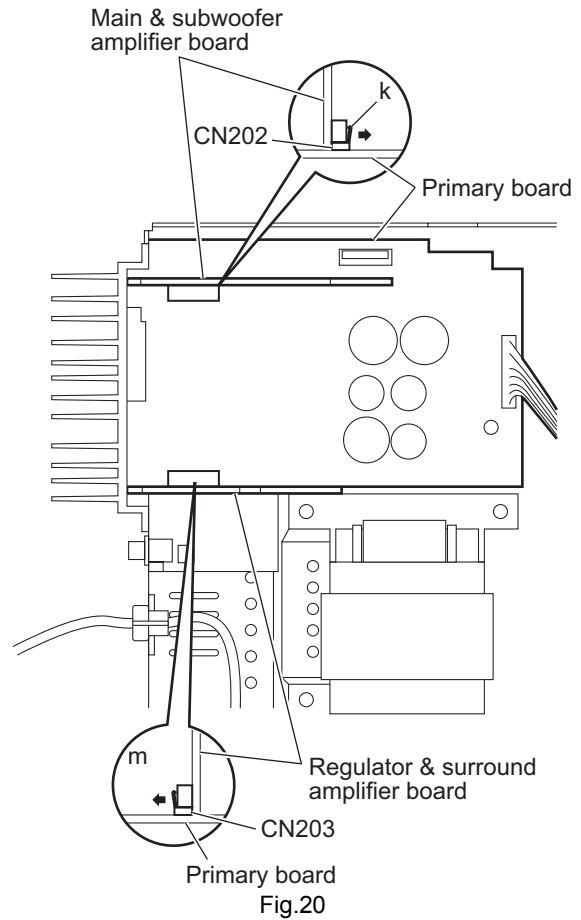
After connecting the parallel wire, fix it with the new tie band.

- (2) Disconnect the parallel wire from the connector CN106 on the speaker terminal board.
- (3) Disconnect the parallel wire from the connector CN219 on the primary board.
- (4) Release the locks (i, j) of the connectors (CN205, CN214) and disconnect the speaker terminal board in an upward direction.



3.1.12 Removing the regulator & surround amplifier board and main & subwoofer amplifier board (See Figs.20 and 21)

- Prior to performing the following procedure, remove the metal cover, tuner, video board, rear panel, main board, center chassis assembly and speaker terminal board.
 - (1) From the top side of the main body, disconnect the regulator & surround amplifier and main & subwoofer amplifier boards in an upward direction while releasing the locks (**k**, **m**) of the connectors (CN202, CN203) on the primary board. (See Fig.20.)
 - (2) Take out the regulator & surround amplifier and main & subwoofer amplifier boards at the same time from the main body.
 - (3) Remove the two screws **R** attaching the leaf spring to the heat sink and remove the regulator & surround amplifier board from the heat sink. (See Fig.21.)
 - (4) Remove the three screws **S** attaching the main & subwoofer amplifier boards to the heat sink. (See Fig.21.)



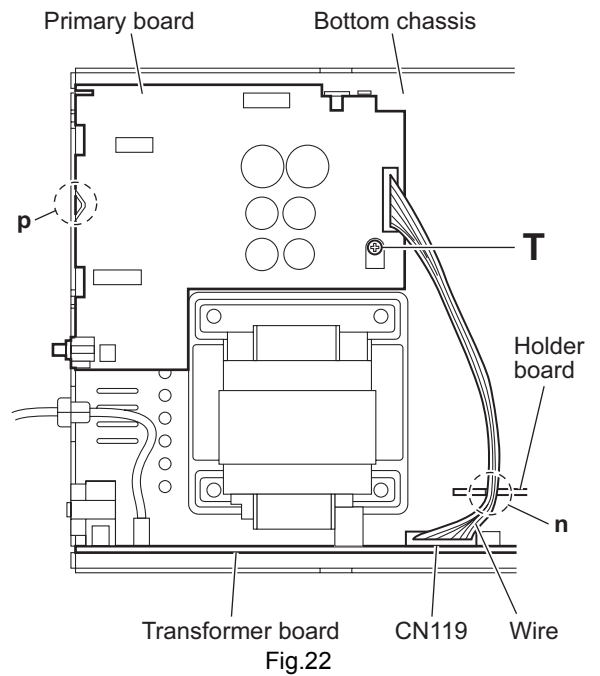
3.1.13 Removing the primary board (See Fig.22)

- Prior to performing the following procedure, remove the metal cover, tuner, video board, rear panel, main board, center chassis assembly, speaker terminal board and regulator & surround amplifier board and main & subwoofer amplifier board.
 - (1) From the top side of the main body, disconnect the wire from the connector [CN119](#) on the transformer board.

Reference:

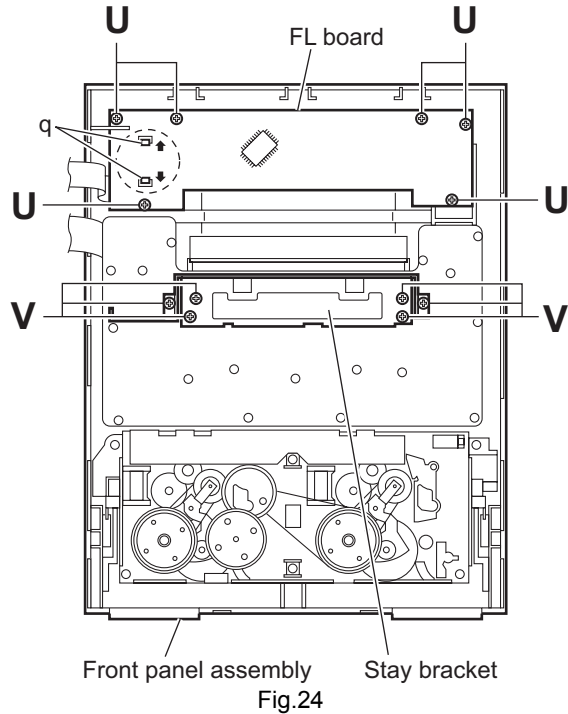
Pass the wire through the slot **n** of the holder board before connecting the wire to the connector.

- (2) Remove the screw **T** attaching the primary board on the bottom chassis.
- (3) Remove the section **p** of the primary board and take out the primary board from the main body.



3.1.14 Removing the FL board
(See Figs.23 and 24)

- Prior to performing the following procedures, remove the metal cover and front panel assembly.
 - (1) From the front side of the front panel assembly, pull the volume knob out of the front panel assembly. (See Fig.23.)
 - (2) From the inside of the front panel assembly, remove the six screws **U** attaching the FL board. (See Fig.24.)
 - (3) Release the claws **q** in the direction of the arrow and take out the FL board from the front panel assembly. (See Fig.24.)



3.1.15 Removing the switch board
(See Figs.23 to 25)

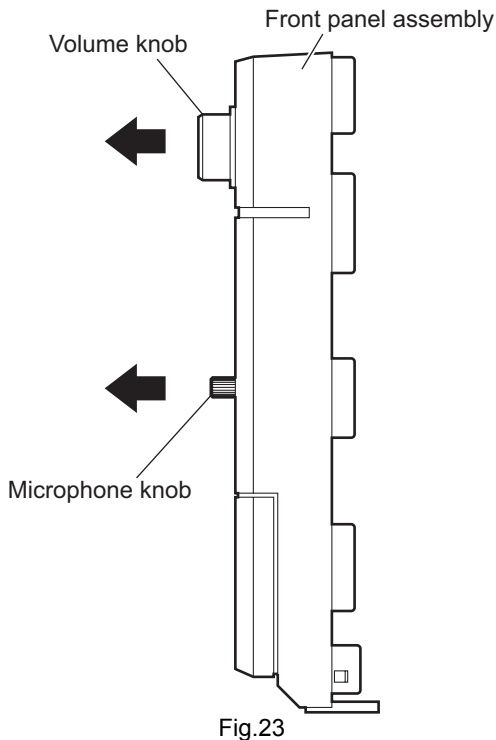
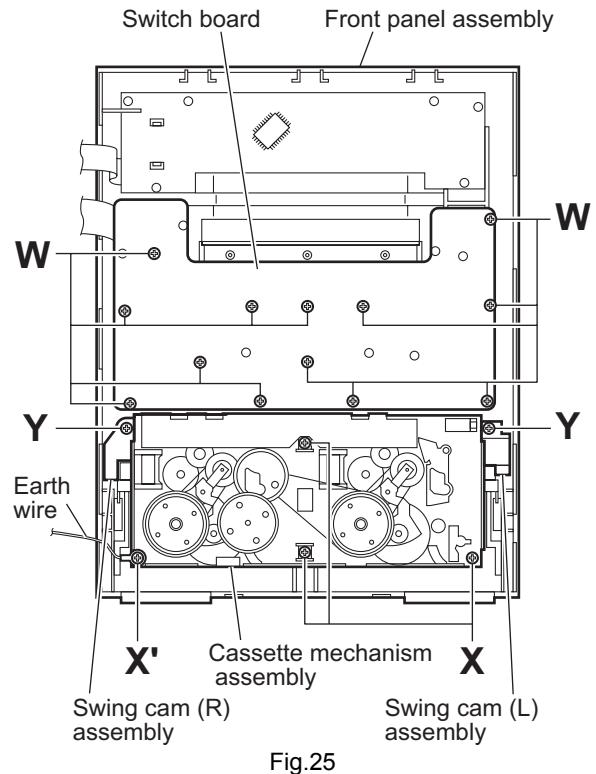
- Prior to performing the following procedures, remove the metal cover and front panel assembly.
 - (1) From the front side of the front panel assembly, pull the microphone knob out of the front panel assembly. (See Fig.23.)
 - (2) From the inside of the front panel assembly, remove the six screws **V** attaching the stay bracket. (See Fig.24.)
 - (3) From the inside of the front panel assembly, remove the thirteen screws **W** attaching the switch board. (See Fig.25.)
 - (4) Take out the switch board from the front panel assembly.

3.1.16 Removing the cassette mechanism assembly
(See Fig.25)

- Prior to performing the following procedures, remove the metal cover and front panel assembly.
 - (1) From the inside of the front panel assembly, remove the three screws **X**, screw **X'** and two screws **Y** attaching the cassette mechanism assembly.
 - (2) Take out the cassette mechanism assembly from the front panel assembly.

Reference:

- When attaching the screw **X'**, attach the earth wire with it.
- When attaching the screws **Y**, attach the swing cam (L)/(R) with them.

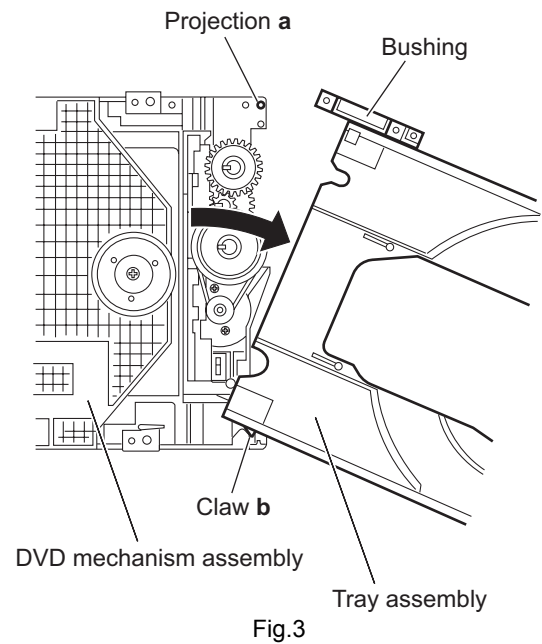
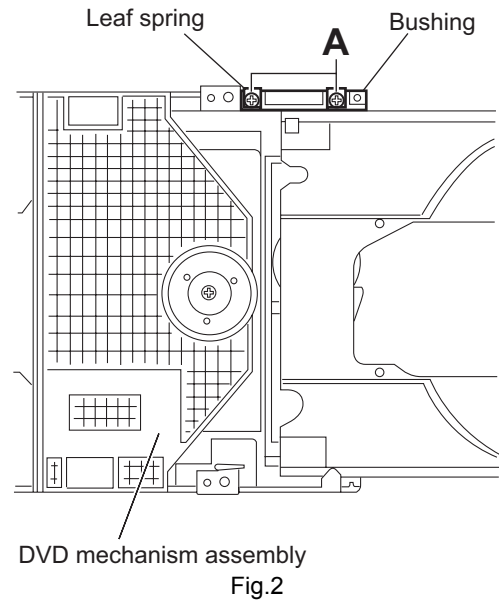
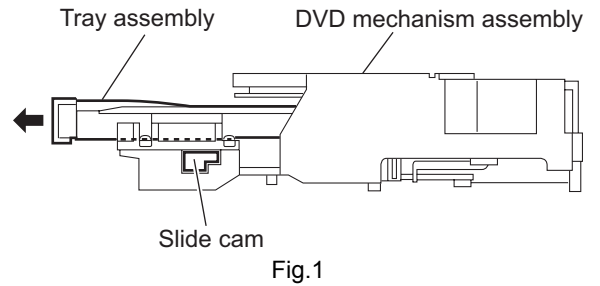


3.2 DVD mechanism section

- Prior to performing the following procedures, remove the DVD mechanism assembly from the main body. (See "3.1.12 Removing the DVD mechanism assembly".)

3.2.1 Removing the tray assembly (See Figs.1 to 3)

- (1) From the right side of the DVD mechanism assembly, push the slide cam and pull the tray assembly out of the DVD mechanism assembly in the direction of the arrow. (See Fig.1.)
- (2) From the top side of the DVD mechanism assembly, remove the two screws **A** attaching the leaf spring to the bushing and remove the leaf spring. (See Fig.2.)
- (3) Remove the bushing of the tray assembly from the projection **a** on the DVD mechanism assembly and move the tray assembly in the direction of the arrow. (See Fig.3.)
- (4) Remove the claw **b** of the tray assembly from the DVD mechanism assembly and take out the tray assembly. (See Fig.3.)

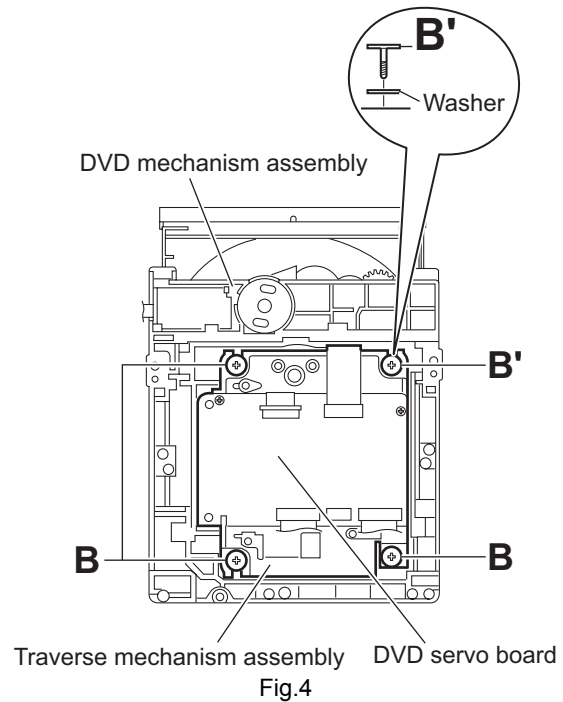


3.2.2 Removing the traverse mechanism assembly (See Figs.4)

- (1) From the bottom side of the DVD mechanism assembly, remove the three screws **B** and screw **B'** attaching the traverse mechanism assembly and take out the DVD traverse mechanism assembly with the DVD servo board.

Reference:

When attaching the screw **B'**, attach the washer with it.

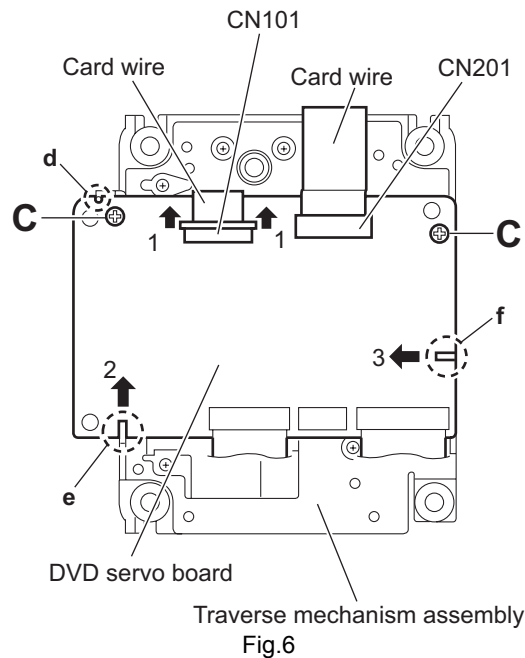
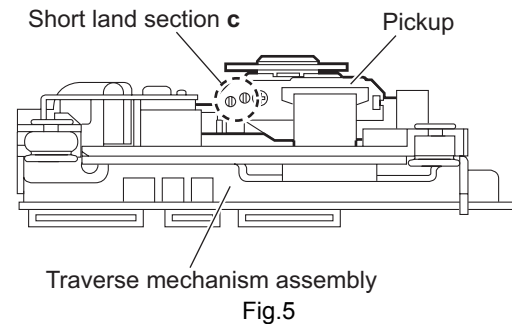


3.2.3 Removing the DVD servo board (See Figs.5 and 6)

- Prior to performing the following procedures, remove the traverse mechanism assembly.
- (1) From the side of the traverse mechanism assembly, solder the short land sections **c** on the pickup. (See Fig.5.)
 - (2) From the bottom side of the traverse mechanism assembly, release the lock of the connector **CN101** on the DVD servo board in the direction of the arrow **1** and disconnect the card wire. (See Fig.6.)

Caution:

- Solder the short land sections **c** on the pickup before disconnecting the card wire from the connector **CN101** on the DVD servo board. If the card wire is disconnected without attaching solder, the pickup may be destroyed by static electricity. (See Figs.5 and 6.)
 - When attaching the DVD servo board, be sure to remove solders from the short land sections **c** after connecting the card wire to the connector **CN101** on the DVD servo board. (See Figs.5 and 6.)
- (3) Disconnect the card wire from the connector **CN201** on the DVD servo board. (See Fig.6.)
 - (4) Remove the two screws **C** attaching the DVD servo board. (See Fig.6.)
 - (5) Remove the DVD servo board from the engagement section **d** in an upward and remove the engagement section **f** in the direction 3 while removing the engagement section **e** in the direction of the arrow 2. (See Fig.6.)



3.2.4 Removing the pickup (See Figs.5,7 to 9)

- Prior to performing the following procedures, remove the traverse mechanism assembly.

- (1) From the side of the traverse mechanism assembly, solder the short land sections **c** on the pickup. (See Fig.5.)
- (2) Release the lock of the connector on the pickup in the direction of the arrow and disconnect the card wire. (See Fig.7.)

Caution:

- Solder the short land sections **c** on the pickup before disconnecting the card wire from the connector on the pickup. If the card wire is disconnected without attaching solder, the pickup may be destroyed by static electricity. (See Figs.5 and 7.)
- When attaching the pickup, be sure to remove solders from the short land sections **c** after connecting the card wire to the connector on the pickup. (See Figs.5 and 7.)

- (3) Remove the screw **D** attaching the plate and thrust spring. (See Fig.7.)
- (4) Remove the engagement section **g** attaching the plate to the feed holder and remove the plate with the thrust spring. (See Fig.7.)
- (5) Remove the shaft of the pickup from the section **h** on the traverse mechanism assembly and remove the shaft from the section **i** while moving it in the direction of the arrow. (See Fig.8.)
- (6) Remove the pickup from the section **j** of the traverse mechanism assembly and take out the pickup with the shaft. (See fig.8.)
- (7) From the bottom side of the pickup, remove the two screws **E** attaching the SW actuator and LEAD spring. (See Fig.9.)
- (8) Pull the shaft out of the pickup. (See Fig.9.)

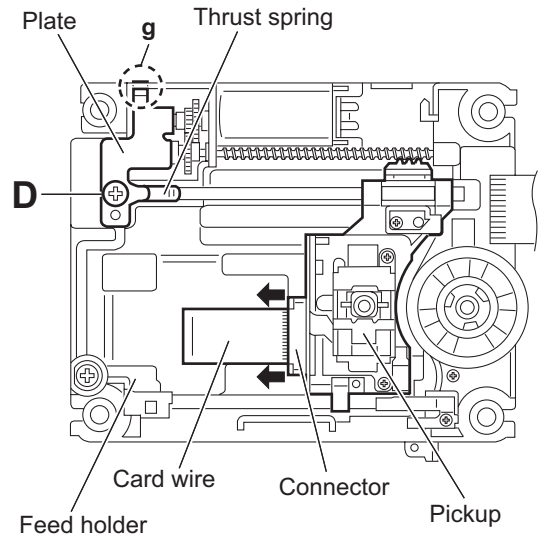


Fig.7

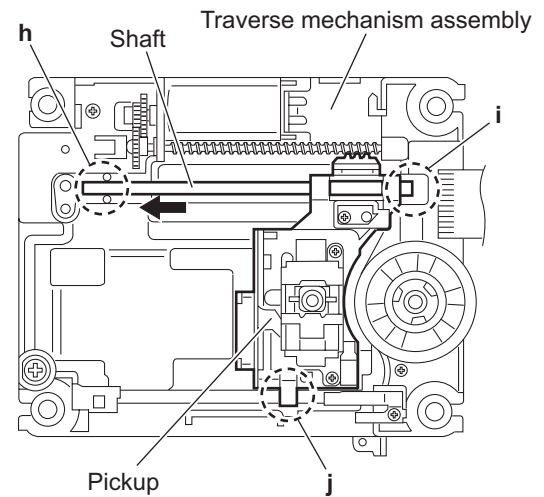


Fig.8

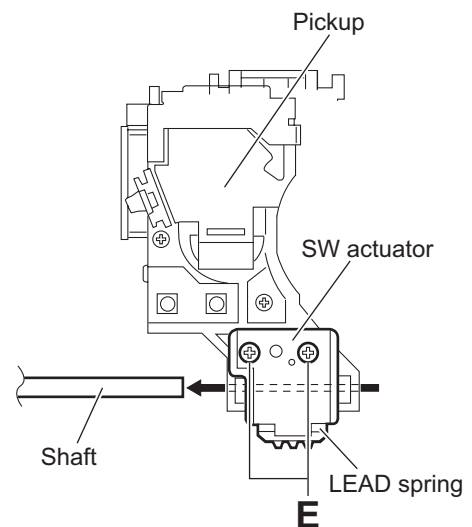


Fig.9

3.2.5 Attaching the pickup (See Figs.5,7 to 10)

- See "3.2.4 Removing the pickup".
 - (1) Attach the shaft, SW actuator and LEAD spring to the pickup. (See Fig.9.)
 - (2) Align the pickup to the section **j** of the traverse mechanism assembly first, and set the both ends of the shaft of the pickup in the sections **g** and **i** of the traverse mechanism assembly. (See Fig.8.)
 - (3) Attach the plate and thrust spring. (See Fig.7.)
 - (4) Remove solders from the short land sections **c** after connecting the card wire to the connector on the pickup. (See Figs.5 and 7.)
 - (5) Turn the feed gear **M** in the direction of the arrow **1** to move the pickup in the direction of the arrow **2**. (See Fig.10.)

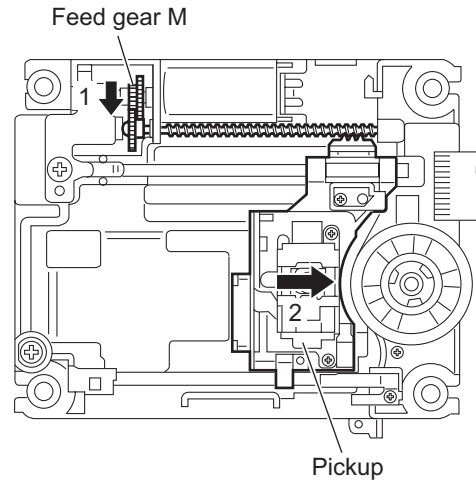


Fig.10

3.2.6 Removing the feed motor (See Figs.7,11 and 12)

- Prior to performing the following procedures, remove the traverse mechanism assembly.
 - (1) From the top side of the traverse mechanism assembly, remove the screw **D** attaching the plate and thrust spring. (See Fig.7.)
 - (2) Remove the engagement section **g** attaching the plate to the feed holder and remove the plate with the thrust spring. (See Fig.7.)
 - (3) Remove the wires from the soldered section **k** on the spindle motor board. (See Fig.11.)

Reference:

When attaching the feed motor, pass the wire through the section **m** on the spindle base. (See Fig.11.)

- (4) Remove the feed holder, feed motor, lead screw, feed gear **E** and feed gear **M** at the same time after removing the two screws **F** attaching the feed holder. (See Fig.11.)
- (5) From the side of the feed holder, remove the two screws **G** attaching the feed motor. (See Fig.12.)

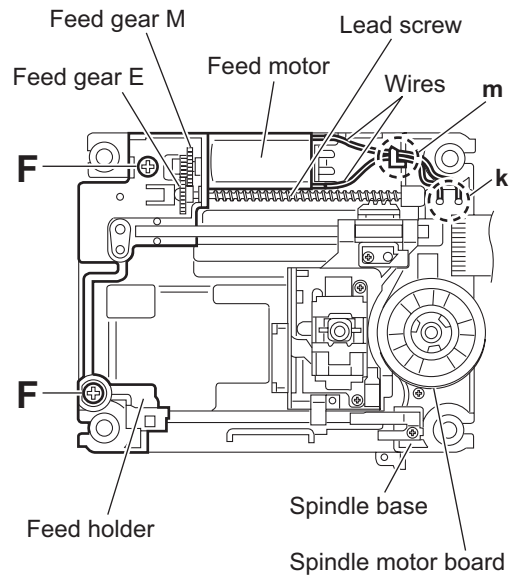


Fig.11

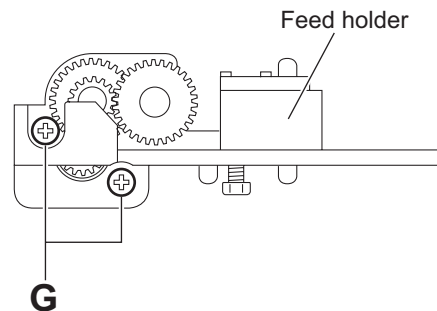


Fig.12

3.2.7 Removing the spindle motor board
(See Figs.11 and 13)

- Prior to performing the following procedures, remove the traverse mechanism assembly and DVD servo board.
 - (1) From the top side of the traverse mechanism assembly, remove the wires from the soldered section **k** on the spindle motor board. (See Fig.11.)
 - (2) From the bottom side of the traverse mechanism assembly, remove the three screws **H** attaching the spindle motor board. (See Fig.13.)

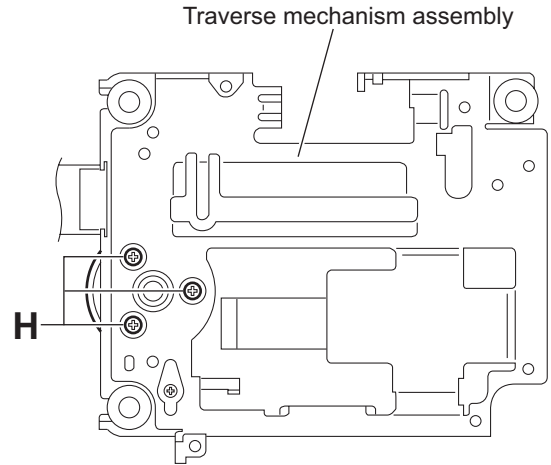


Fig.13

3.2.8 Removing the switch board
(See Fig.14.)

- (1) From the bottom side of the DVD mechanism assembly, remove the wires from the soldered section **n** on the switch board.
- (2) Lift the switch board while pressing the claw **p** of the DVD mechanism assembly in the direction of the arrow and remove it from the section **q**.

Reference:

- Put the wires on the section **r** after attaching the switch board to the DVD mechanism assembly.
- Fix the claw **p** on the DVD mechanism assembly with bonds after attaching the switch board.

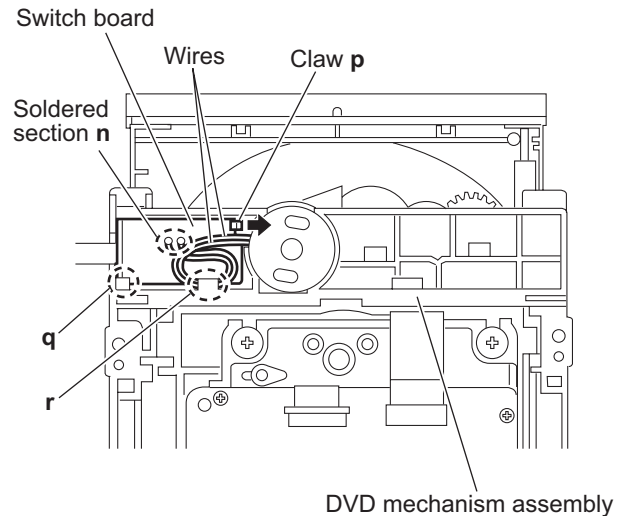


Fig.14

3.2.9 Removing the motor
(See Figs.14 and 15)

- Prior to performing the following procedures, remove the tray assembly.
 - (1) From the bottom side of the DVD mechanism assembly, remove the wires from the soldered section **n** on the switch board. (See Fig.14.)
 - (2) From the top side of the DVD mechanism assembly, remove the belt from the motor pulley. (See Fig.15.)

Note:

Take care not to attach grease on the belt.

- (3) Remove the two screws **J** attaching the motor to the DVD mechanism assembly and take out the motor from the bottom side of the DVD mechanism assembly. (See Fig.15.)

Reference:

Put the wires on the section **r** after attaching the motor to the DVD mechanism assembly. (See Fig.14.)

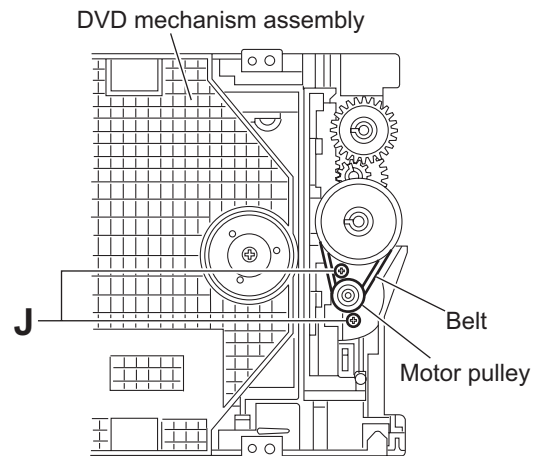


Fig.15

3.3 Cassette mechanism assembly section

- Prior to performing the following procedures, remove the cassette mechanism assembly.
(See "3.1.16 Removing the cassette mechanism assembly".)

3.3.1 Removing the main motor and replacing the main belts (See Figs.1 and 2)

- (1) From the front side of the cassette mechanism assembly, remove the two screws **A** attaching the main motor. (See Fig.1.)
- (2) From the back side of the cassette mechanism assembly, remove the wires from the soldered sections **a** on the switch board. (See Fig.2.)

Caution:

After reassembling, check the direction of the main motor and polarity of the wires. (See Fig.2.)

- (3) Remove the main motor and main belts. (See Fig.2.)

Note:

When attaching the main belts, take care not to attach grease on the main belts.

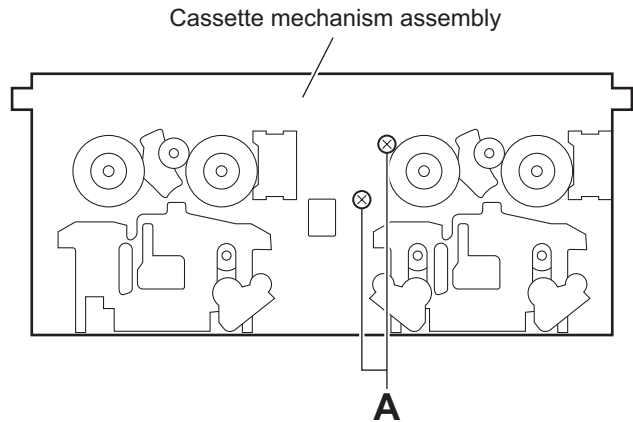


Fig.1

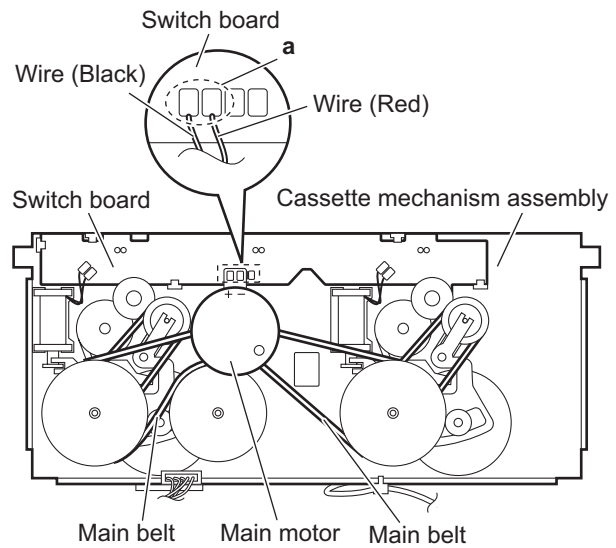


Fig.2

3.3.2 Replacing the F/R belts (See Fig.3)

- Prior to performing the following procedures, remove the main motor and main belts.
- Remove the wires of the main motor as required.
From the back side of the cassette mechanism assembly, remove the F/R belts from the flywheel 1 and flywheel 2.

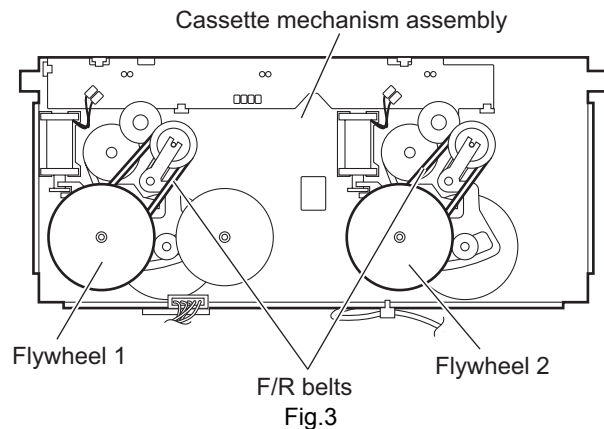


Fig.3

3.3.3 Removing the clutch assemblies
(See Figs.4 to 7)

- Prior to performing the following procedures, remove the main motor, main belts and F/R belts.
- Remove the wires of the main motor as required.
- (1) From the front side of the cassette mechanism assembly, remove the three slit washers attaching the flywheel 1, flywheel 2 and flywheel 3. (See Fig.4.)
- (2) From the back side of the cassette mechanism assembly, pull out the flywheel 1, flywheel 2 and flywheel 3. (See Fig.5.)
- (3) Remove the stoppers in an upward direction. (See Fig.5.)
- (4) Remove the springs from the sections **b**. (See Fig.6.)
- (5) Release the claws **c** in the direction of the arrow, remove the plates and pulleys. (See Fig.6.)
- (6) Release the claws **d** in the direction of the arrow, remove the guide arms. (See Fig.7.)

Note:

When attaching the guide arms, attach the springs with them as before. (See Fig.7.)

- (7) Remove the cam gears in an upward direction. (See Fig.7.)
- (8) Take out the clutch assemblies from the cassette mechanism assembly. (See Fig.7.)

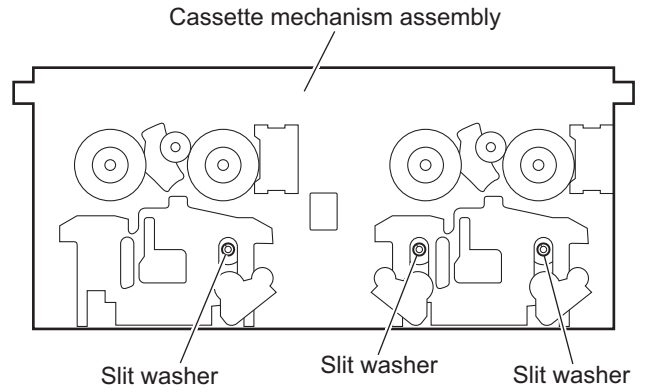


Fig.4

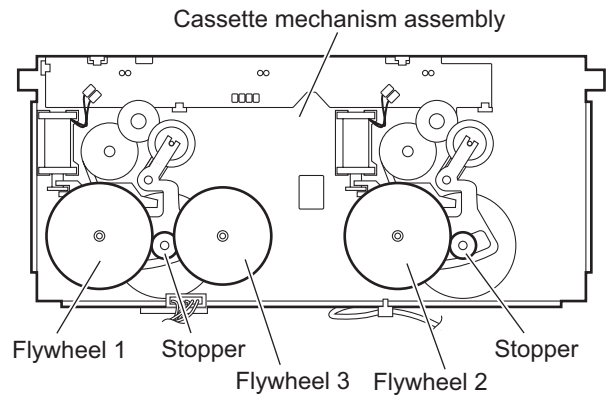


Fig.5

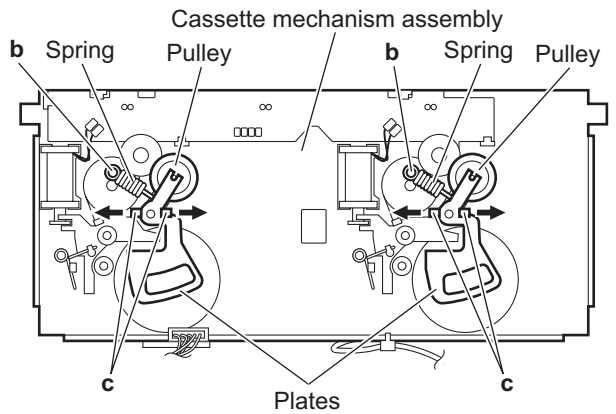


Fig.6

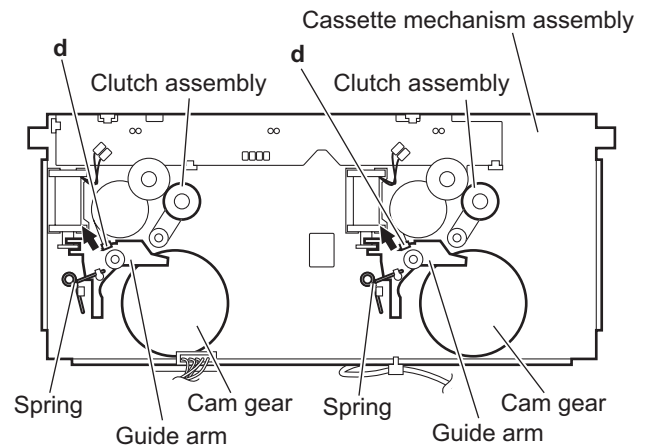


Fig.7

3.3.4 Removing the leaf switches (See Fig.8)

- (1) From the back side of the cassette mechanism assembly, remove the solders from the soldered sections **e** attaching the leaf switches on the switch board.
- (2) From the front side of the cassette mechanism assembly, pull out the leaf switches.

3.3.5 Removing the switch board (See Fig.8)

- (1) From the back side of the cassette mechanism assembly, remove the solders from the soldered sections (**f**, **g**) connecting the wires.

Note:

After reassembling, check the polarity of the wires.

- (2) Release the claws **h** in the direction of the arrow and remove the switch board from the cassette mechanism assembly.

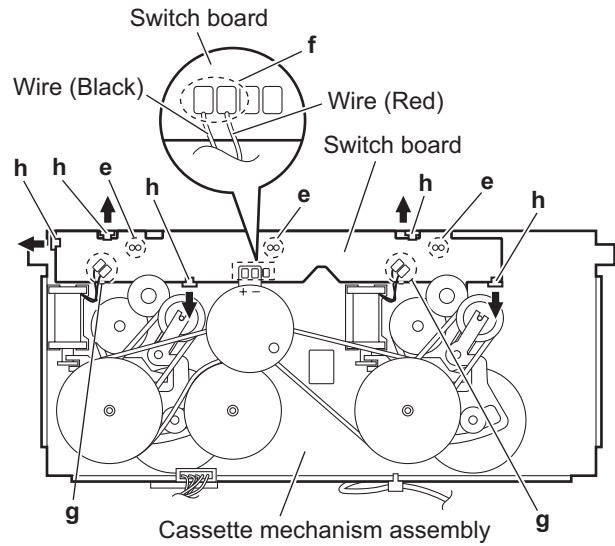


Fig.8

3.3.6 Removing the PB head block (See Fig.9)

- (1) From the bottom side of the cassette mechanism assembly, remove the tie band fixing the wire.

Reference:

After reassembling, fix the wire with a new tie band as before.

- (2) From the front side of the cassette mechanism assembly, release the claw **i** in the direction of the arrow **1** and pull out the pinch roller in an upward direction.
- (3) Remove the screw **B** attaching the PB head.
- (4) Remove the spring from the section **j**.
- (5) Move the PB head block in the direction of the arrow **2** and remove the hooks **k** from the PB head block.
- (6) Take out the PB head block from the cassette mechanism assembly.

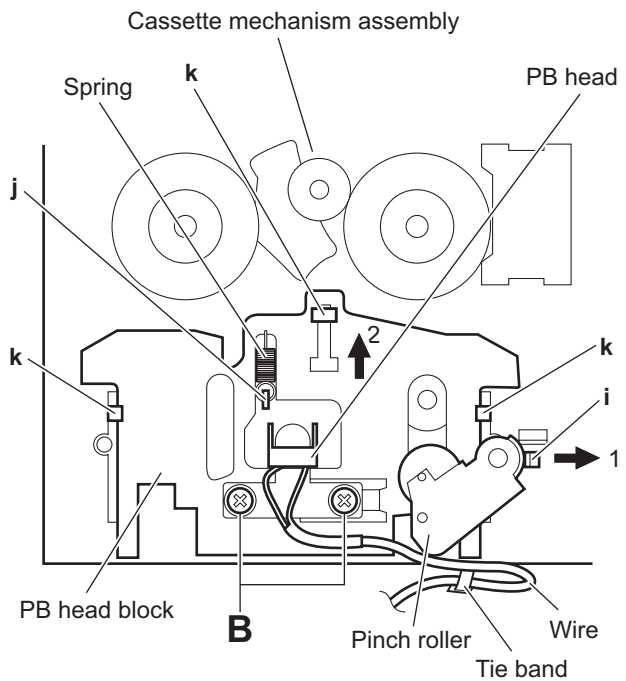


Fig.9

3.3.7 Removing the R/P head block (See Fig.10)

- (1) From the front side of the cassette mechanism assembly, release the claw **m** in the direction of the arrow **1** and pull out the pinch roller **L** in an upward direction.
- (2) Release the claw **n** in the direction of the arrow **2** and pull out the pinch roller **R** in an upward direction.
- (3) From the bottom side of the cassette mechanism assembly, remove the screw **C** attaching the R/P head board.
- (4) From the front side of the cassette mechanism assembly, remove the two screws **D** attaching the R/P head.
- (5) Take out the R/P head block (R/P head and R/P head board) from the cassette mechanism assembly.

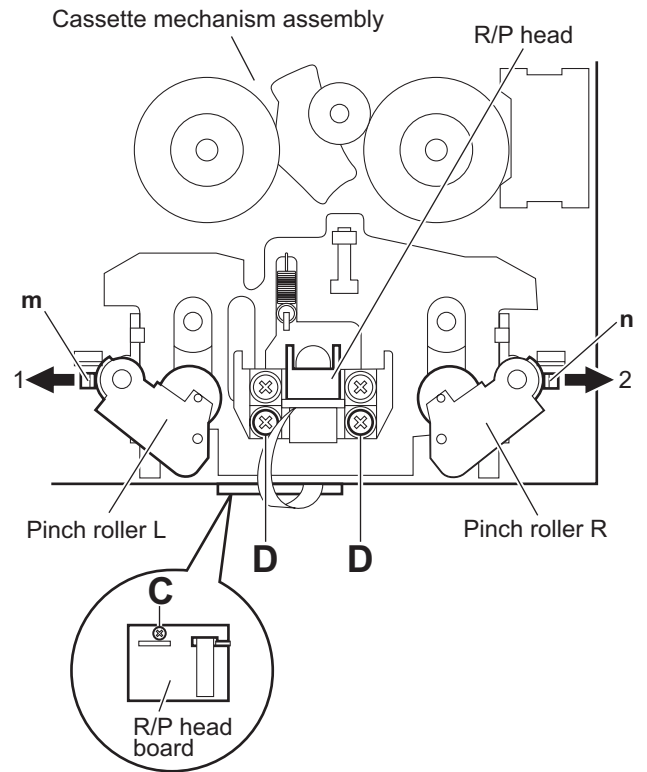


Fig.10

3.4 Speaker section

3.4.1 Removing the net assembly (See Fig.1)

- (1) From the front side of the speaker main body, remove the sections **a** of the net assembly toward this side.

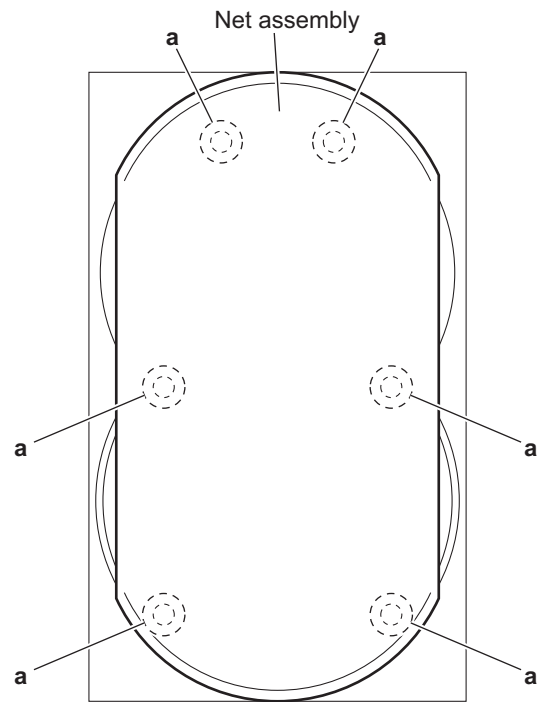


Fig.1

3.4.2 Removing the front panel assembly (See Figs.2 and 3)

- Remove the net assembly as required.

(1) Insert the tip of a flat-bladed screwdriver or similar tool into the space between the speaker main body and front panel assembly, and lift the front panel assembly little by little to remove the sections **b**. (See Fig.2.)

Note:

To prevent damaging the front panel assembly and speaker main body, insert cushioning plates etc. into the space between the speaker main body and front panel assembly. (See Fig.2.)

(2) From the inside of the front panel assembly, disconnect the yellow and black wires from the terminal of the tweeter. (See Fig.3.)

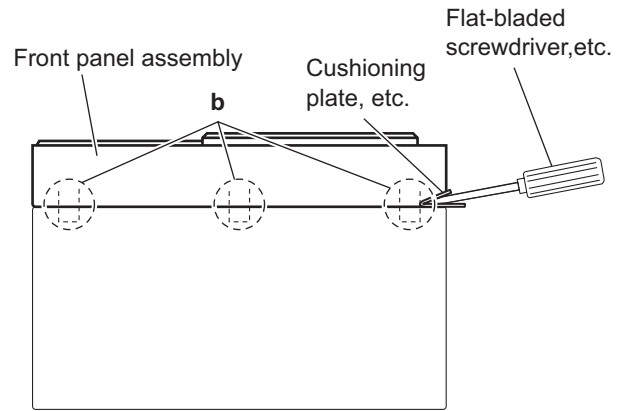


Fig.2

3.4.3 Removing the tweeter (See Fig.3)

- Prior to performing the following procedures, remove the front panel assembly.

(1) Disconnect the blue and white wires from the terminal of the tweeter.

(2) Remove the two screws **A** attaching the tweeter.

(3) Take out the tweeter from the front panel assembly.

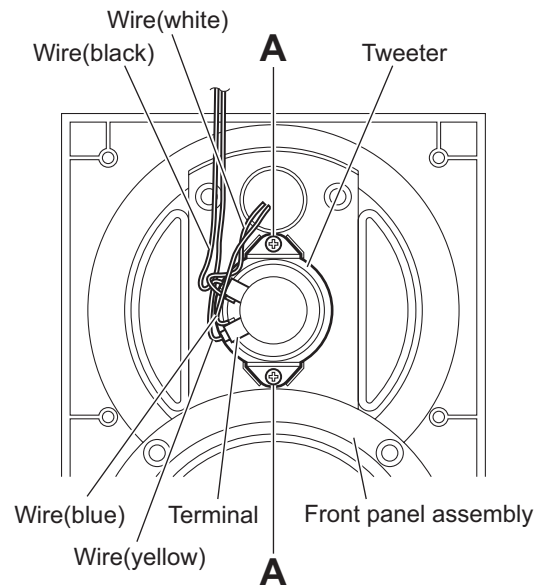


Fig.3

3.4.4 Removing the speaker (See Figs.4 and 5)

- Prior to performing the following procedures, remove the front panel assembly.
 - (1) From the front side of the speaker main body, remove the four screws **B** attaching the speaker. (See Fig.4.)
 - (2) Take out the speaker from the speaker main body and disconnect the wires (red/black, yellow/black) from the terminal of the speaker. (See Fig.5.)

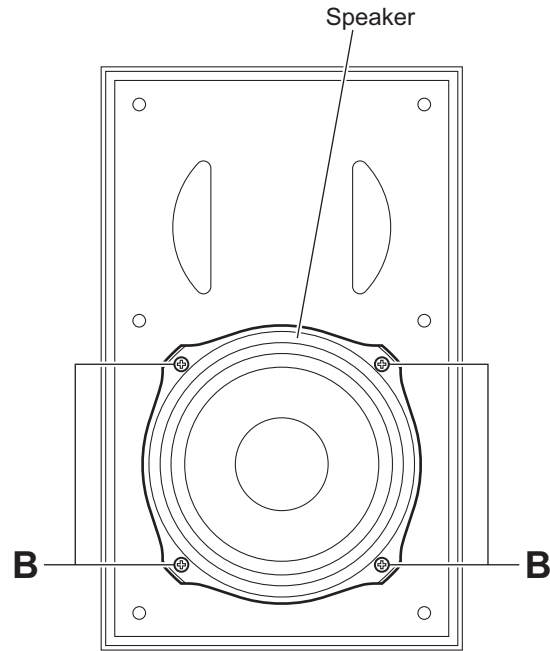


Fig.4

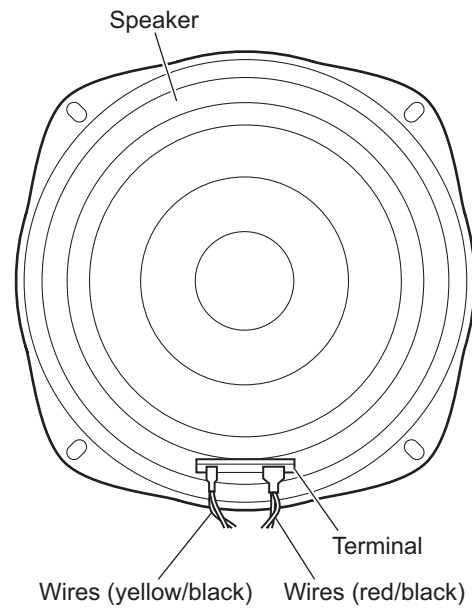


Fig.5

SECTION 4 ADJUSTMENT

4.1 Adjustment method

4.1.1 Measurement Instruments Required for Adjustment

- (1) Low frequency oscillator
This oscillator should have a capacity to output 0dBs to 600Ω at an oscillation frequency of 50Hz-20kHz.
- (2) Attenuator impedance : 600Ω
- (3) Electronic voltmeter
- (4) Distortion meter
- (5) Frequency counter
- (6) Wow & flutter meter
- (7) Test tape
VTT703 : Head azimuth
- (8) Blank tape
TYPE I : AC-514
- (9) Test disc: VT-501, CTS-1000

4.1.2 Measurement conditons

Power supply voltage	AC110V / AC127V / AC220V / AC230V to AC240V 50Hz / 60Hz (Adjustable with the voltage selector)
Reference output	Speaker : 0.775V/4Ω Headphone : 0.077V/32Ω
Reference frequency and input level	1kHz, AUX : -8dBs
Measurement output terminal	at Speaker J200
Load resistance	4Ω

4.1.3 Radio Input signal

AM frequency	400Hz
AM modulation	30%
FM frequency	400Hz
FM frequency deviation	22.5kHz

4.1.4 Tuner section

FM Band cover	87.5~108.0MHz
AM Band cover	531~1,602kHz (at 9kHz) 530~1,600kHz (at 10kHz)
Voltage applied to tuner	+B : DC5.7V VT : DC 12V
Reference measurement output	26.1mV(0.28V)/3Ω
Input positions	AM : Standard loop antenna FM : TP1 (hot) and TP2 (GND)

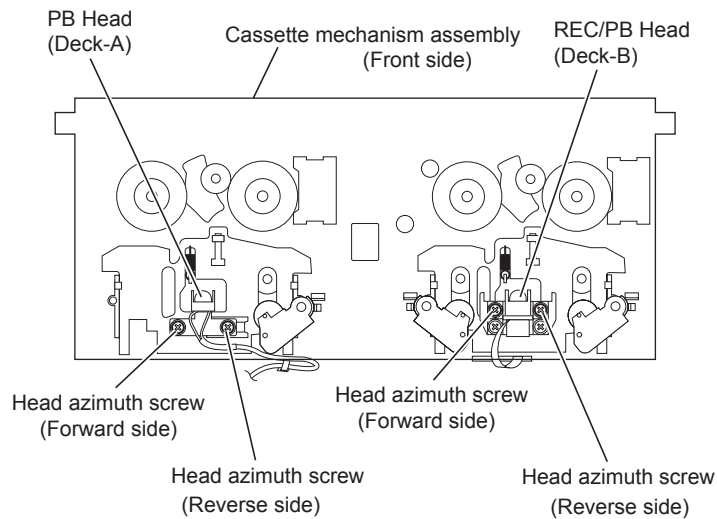
4.1.5 Standard measurement position of volume

Function switch to Tape
Beat cut switch to Cut
Super Bass/Active hyper Bass to OFF
Bass Treble to Center
Adjustment of main volume to reference output VOL : 28

Precautions for measurement

- (1) Apply 30pF and 33kΩ to the IF sweeper output side and 0.082μ F and 100kΩ in series to the sweeper input side.
- (2) The IF sweeper output level should be made as low as possible within the adjustable range.
- (3) Since the IF sweeper is a fixed device, there is no need to adjust this sweeper.
- (4) Since a ceramic oscillator is used, there is no need to perform any MIX adjustment.
- (5) Since a fixed coil is used, there is no need to adjust the FM tracking.
- (6) The input and output earth systems are separated. In case of simultaneously measuring the voltage in both of the input and output systems with an electronic voltmeter for two channels, therefore, the earth should be connected particularly carefully.
- (7) In the case of BTL connection amp., the minus terminal of speaker is not for earthing. Therefore, be sure not to connect any other earth terminal to this terminal. This system is of an BTL system.
- (8) For connecting a dummy resistor when measuring the output, use the wire with a greater code size.
- (9) Whenever any mixed tape is used, use the band pass filter (DV-12).

4.2 Arrangement of adjusting positions



4.2.1 Tape recorder section

Item	Measurement conditions	Measurement method	Ref. value	Adjustment position
Cassette Head Azimuth Alignments	Test tape :VT703 (10kHz) Measurement output terminal :Left and Right speaker output (6Ω loaded) or Headphone Output (32Ω loaded)	(1) Playback the test tape VT703 (10kHz) or equivalent. (2) Adjust the head azimuth screw to obtain maximum output and both output of L / R is in 3dB. (3) Put on the screw lock paint after alignments.	Maximum output	Adjust the head azimuth screw only when the head has been changed.
Recording Bias Frequency Alignment	Test tape :TYPE I AC-514 Measurement output terminal :Erase head terminal (CN308 8-Pin)	(1) Insert the recording tape in deck-B. (2) Starting the recording. (3) Adjust the oscillation frequency to 80kHz±3kHz by core of Oscillation coil of L301.	80kHz±3kHz	Use the High Impedance Probe or Frequency counter input.

4.3 Service mode

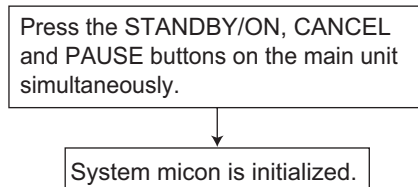
4.3.1 Confirming contents

- (1) System micon reset
- (2) System micon cold start
- (3) FL display check
- (4) Micon version check
- (5) DVD region check
- (6) DVD test mode

4.3.2 Confirming methods

1. System micon reset

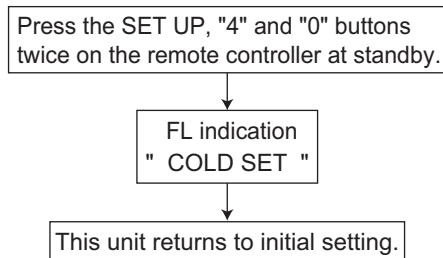
When DVD mechanism stuck, this may solve the problem without removing/inserting power cord.



2. System micon cold start

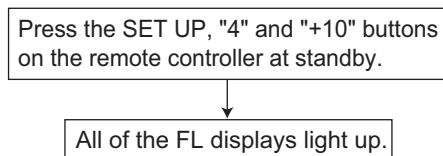
This function clears all user setting, and return to initial setting.

- Daily timer, REC timer
- Tuner preset
- SEA preset
- Last condition (Source, Volume)



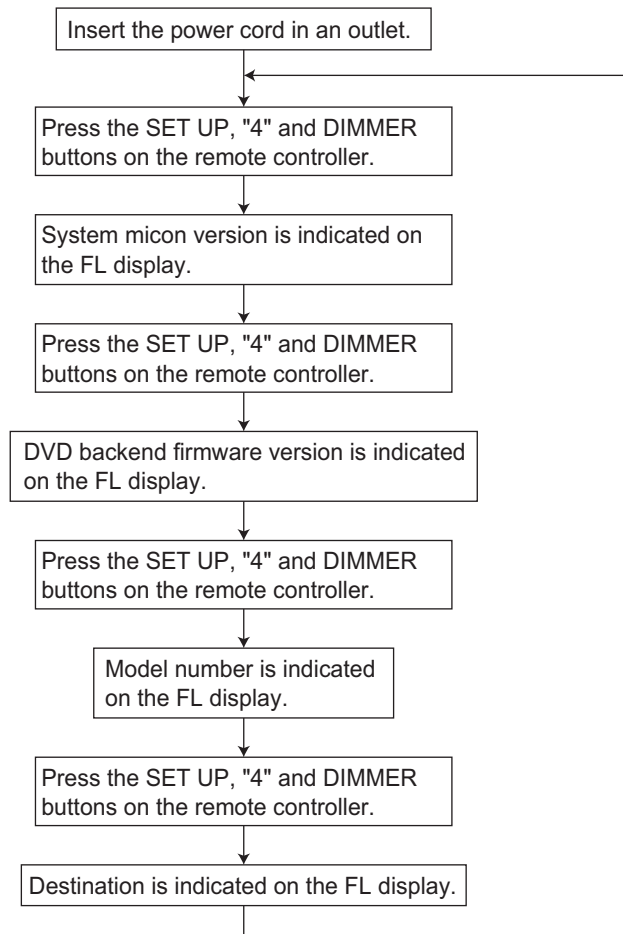
3. FL display check

This enables all FL segment light up.



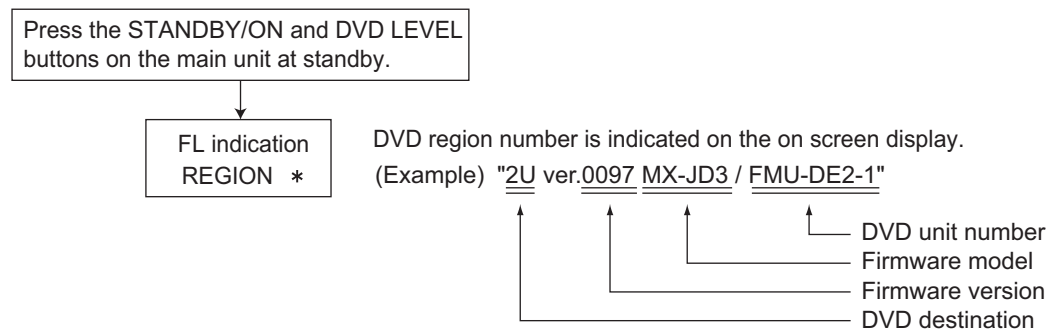
4. Micon version check

You can confirm Micon version and destination.

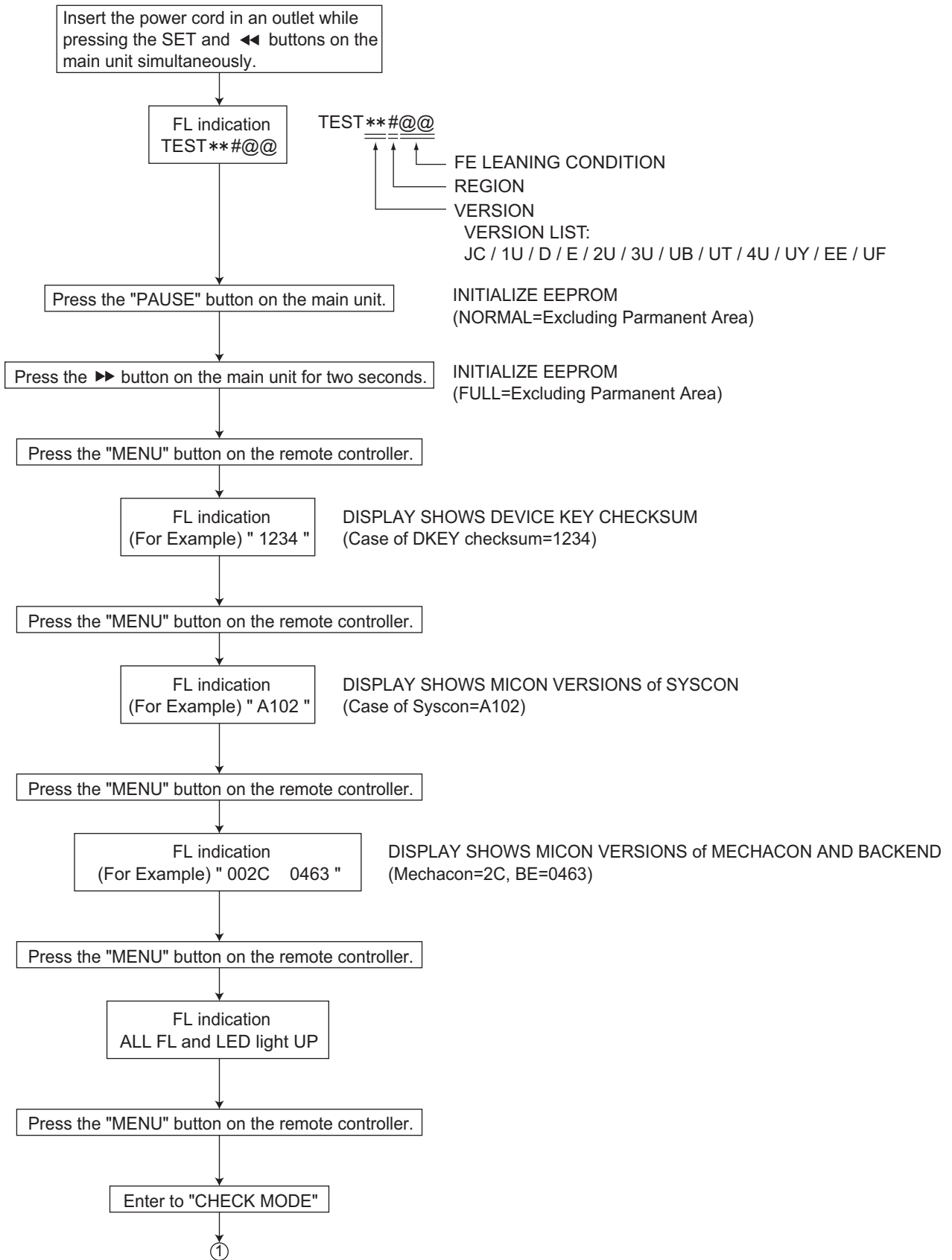


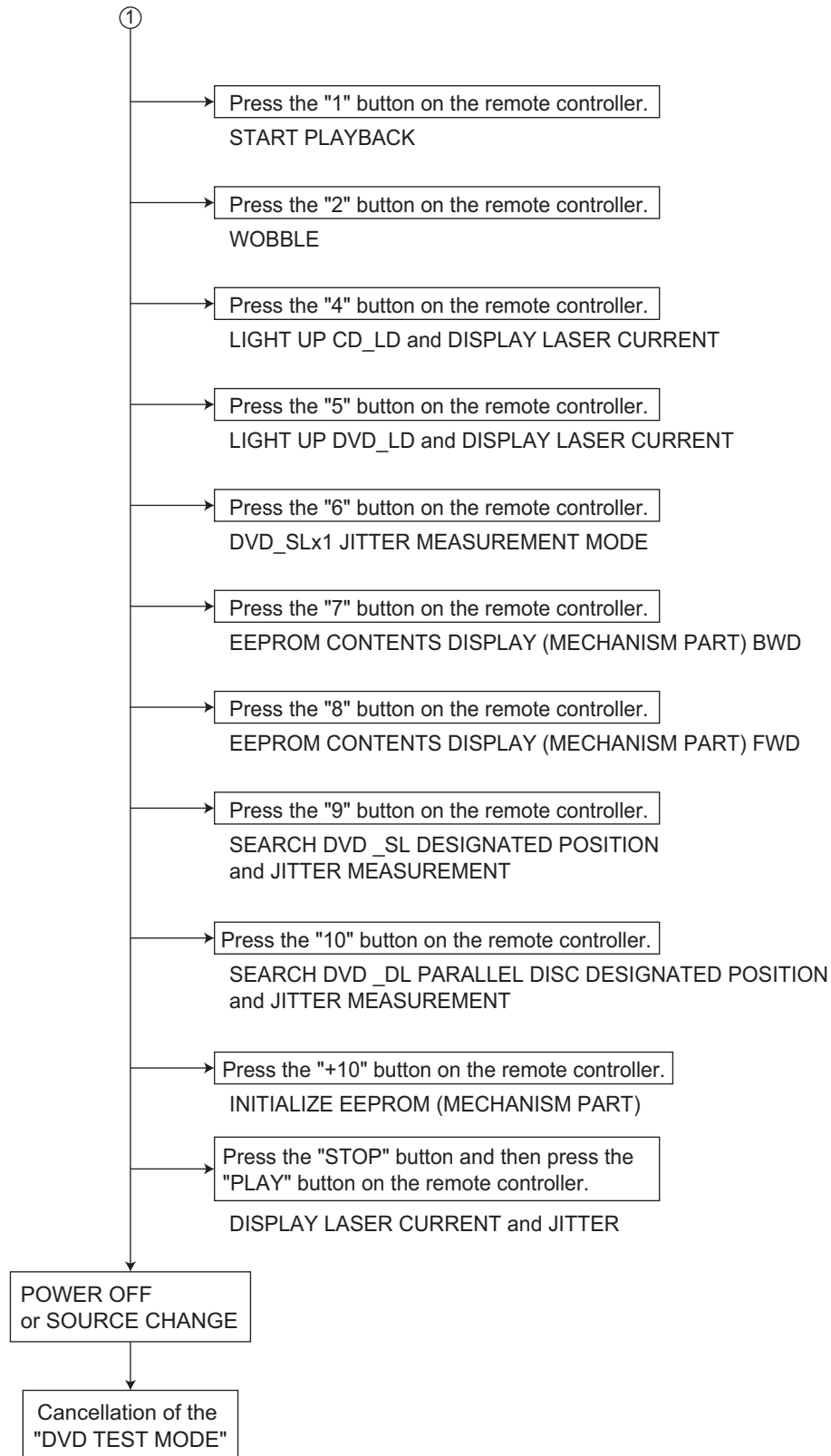
5. DVD region check

You can confirm DVD region number.



6. DVD test mode





4.3.3 Indicating check for FL display

Function	FL display								Note
DVD TEST MODE TEST START (Version info)	T	E	S	T	*	*	#	@	By AC cord on with holding SET and ◀◀ ** : VERSION @ : FE learning condition # : REGION
A. EEPROM INITIALIZE (NORMAL)	T	E	S	T	*	*	#	@	By pressing PAUSE (Front)
B. EEPROM INITIALIZE (FULL)	T	E	S	T	*	*	#	@	By pressing and holding ▶▶ (Front) for 2-sec
① DEVICE KEY DISPLAY					*	*	*	*	By pressing MENU (Remote)
② VERSION DISPLAY	a	a	a	a		c	c	c	By pressing MENU (Remote) aaaa: Syscon, cccc: Backend
③ FL ALL ON	■	■	■	■	■	■	■	■	By pressing MENU (Remote)
④ CHECK MODE					C	H	E	C	By pressing MENU (Remote)
START PLAY					C	H	E	C	By pressing 1 (Remote)
WOBBLE	*	*	*	*	*	*	*	*	By pressing 2 (Remote)
CD LASER current	*	*	*	*	*	*	*	*	By pressing 4 (Remote)
DVD LASER current	*	*	*	*	*	*	*	*	By pressing 5 (Remote)
DVD-SL jitter	*	*	*	*	*	*	*	*	By pressing 6 (Remote)
EEPROM (BWD)	*	*	*	*	*	*	*	*	By pressing 7 (Remote)
EEPROM (FWD)	*	*	*	*	*	*	*	*	By pressing 8 (Remote)
Temperature	*	*	*	*	*	*	*	*	By pressing 9 (Remote)
DVD-DL/SL jitter	*	*	*	*	*	*	*	*	By pressing 10 (Remote)
EEPROM initialize	*	*	*	*	*	*	*	*	By pressing +10 (Remote)
Monitor change	*	*	*	*	*	*	*	*	By pressing 0 (Remote)
STOP					C	H	E	C	By pressing STOP (Front or Remote)
OPEN/CLOSE	-	-	-	-	-	-	-	-	By pressing OPEN/CLOSE (Front)
PLAY	*	*	*	*	*	*	*	*	By pressing PLAY (Front or Remote)

SECTION 5 TROUBLESHOOTING

This service manual does not describe TROUBLESHOOTING.



JVC

VICTOR COMPANY OF JAPAN, LIMITED

AV & MULTIMEDIA COMPANY AUDIO/VIDEO SYSTEMS CATEGORY 10-1,1chome,Ohwatari-machi,Maebashi-city,371-8543,Japan

(No.MB191)



Printed in Japan
WPC

JVC

SCHEMATIC DIAGRAMS

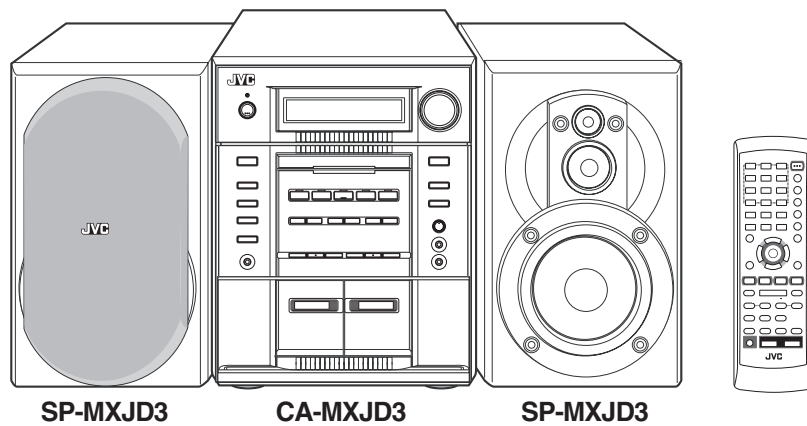
COMPACT COMPONENT SYSTEM

MX-JD3

CD-ROM No.SML200404

Area suffix

US ----- Singapore
UX ----- Saudi Arabia
UN ----- Asean
UE ----- Turkey



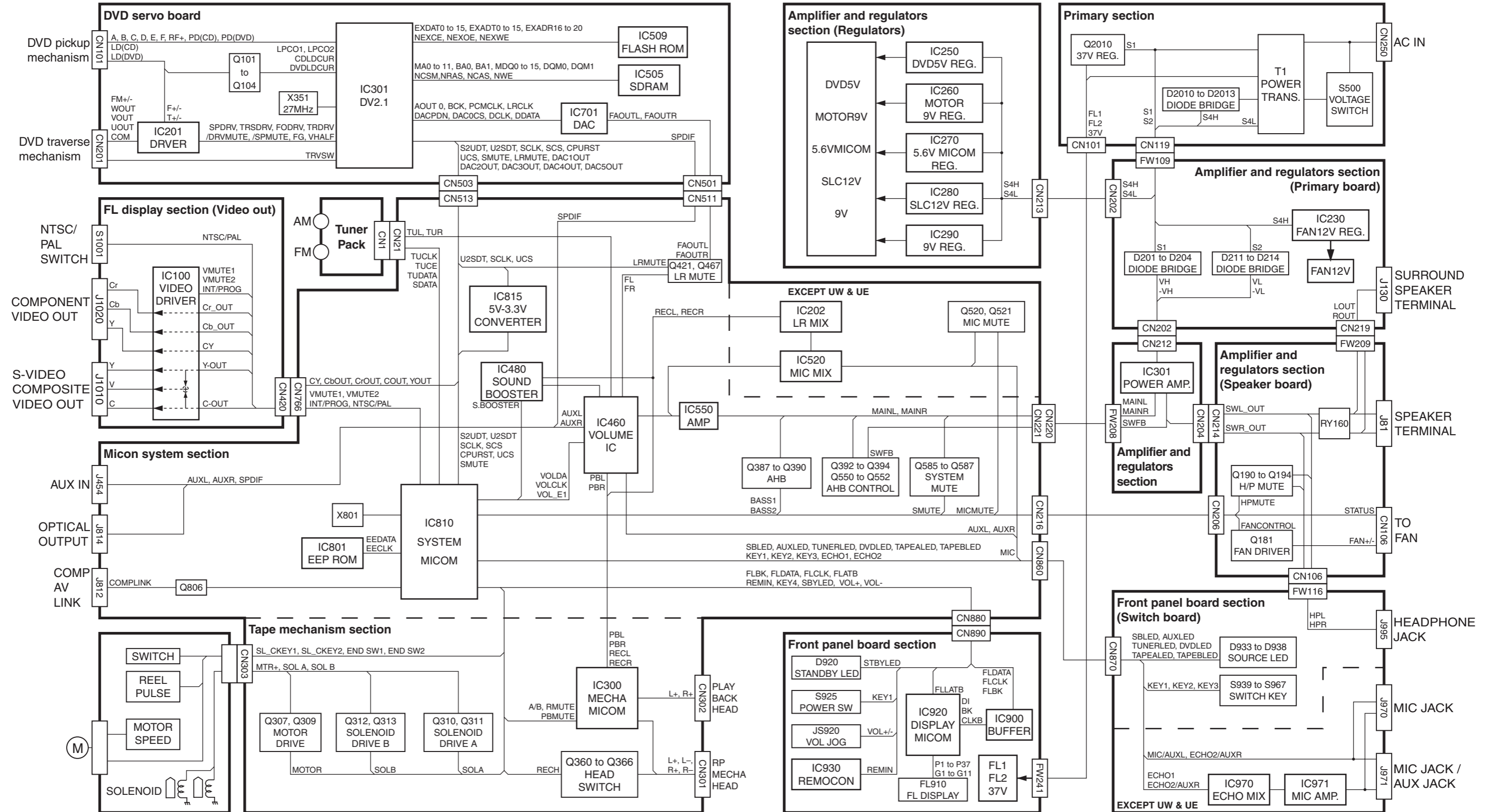
Contents

Block diagram	2-1
Standard schematic diagrams	2-2
Printed circuit boards	2-9 to 13

In regard with component parts appearing on the silk-screen printed side (parts side) of the PWB diagrams, the parts that are printed over with black such as the resistor (■), diode (▬) and ICP (●) or identified by the "▲" mark nearby are critical for safety.

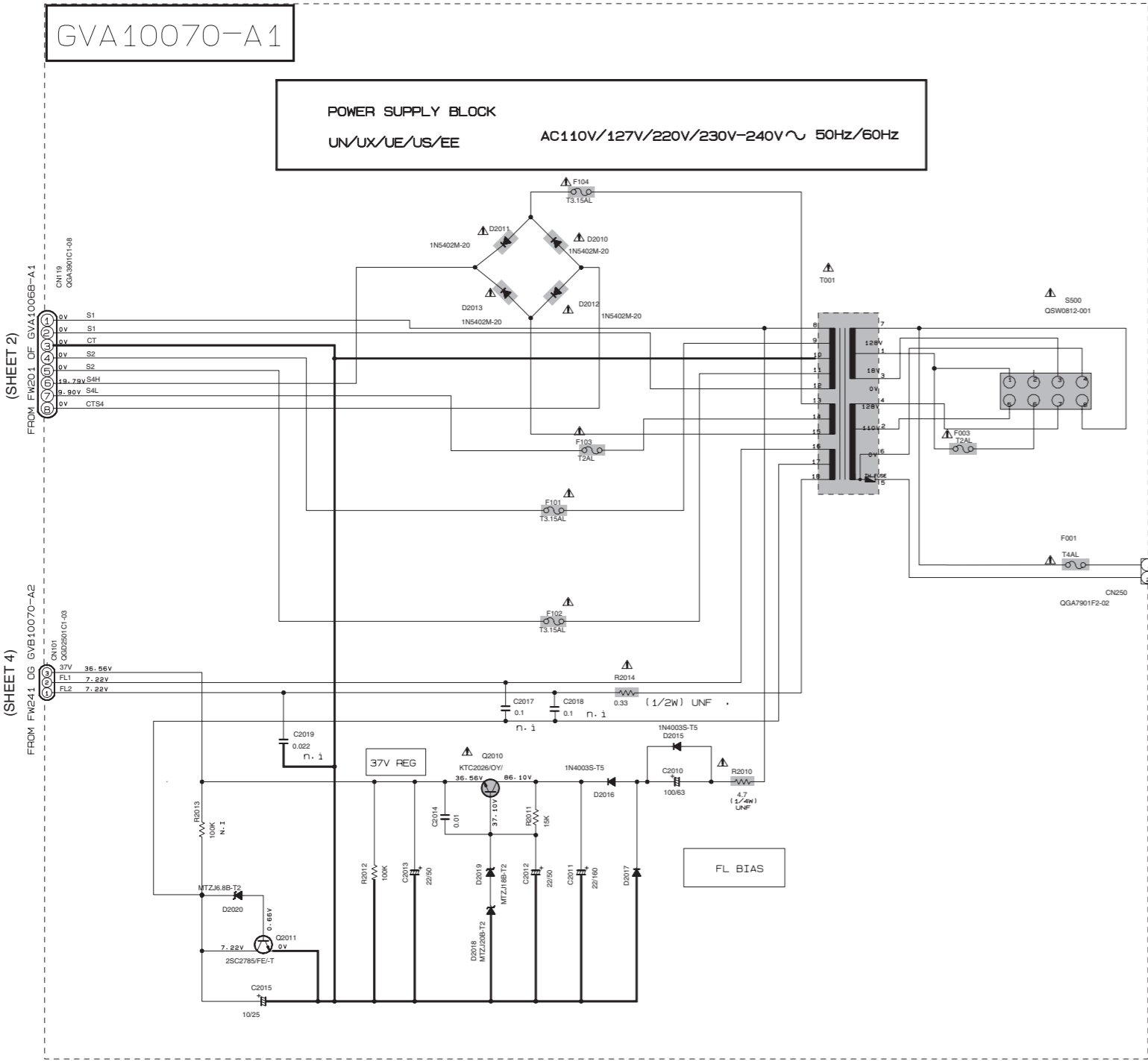
(This regulation does not correspond to J and C version.)

Block diagram



Standard schematic diagrams

■ Primary section



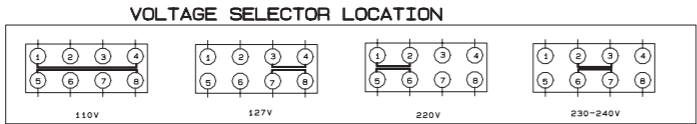
EXPLANATION OF OVERALL SCHEMATIC

MODEL	MX-JD3
SHEET NUMBER	
1	PRIMARY
2	AUDIO OUTPUT
3	SYSTEM CONTROL
4	FL DISPLAY
5	TAPE MECHA
6	DVD SERVO (1/2)
7	DVD SERVO (2/2)

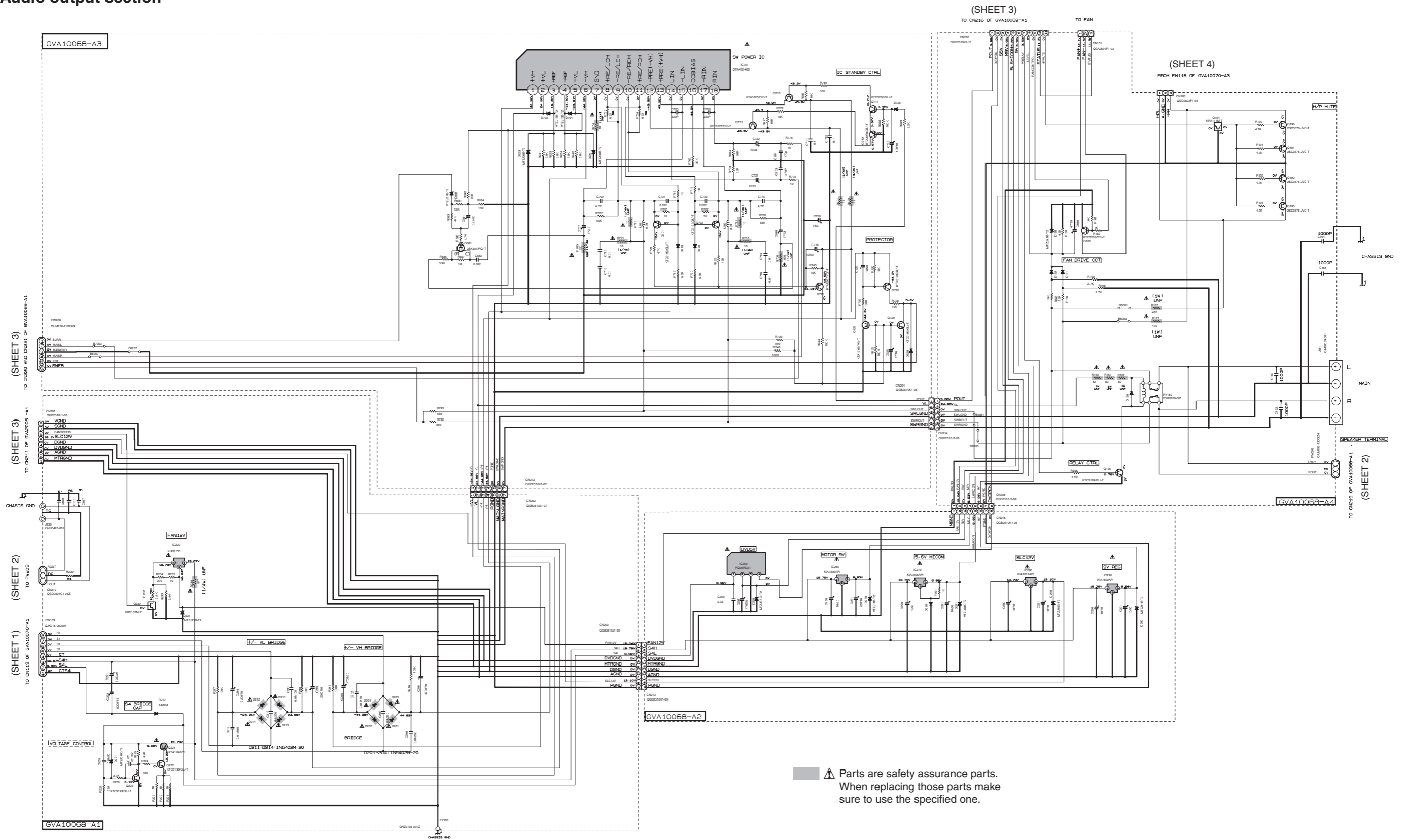
VERSION CODE

UN	: ASEAN
UX	: SAUDI ARABIA
UE	: TURKEY
US	: SINGAPORE AND UNIVERSAL EXCEPT ALL ABOVEs

▲ Parts are safety assurance parts. When replacing those parts make sure to use the specified one.



Audio output section



▲ Parts are safety assurance parts. When replacing those parts make sure to use the specified one.

NOTES
 1. VOLTAGES ARE DC-MEASURED WITH A DIGITAL VOLT METER OR OSCILLOSCOPE WITHOUT INPUT SIGNAL. CONDITION: AUX MODE VOL 10% BASS OFF
 2. UNLESS OTHERWISE SPECIFIED
 RESISTORS ARE 1/4W ±5% CARBON RESISTOR.
 ALL RESISTANCE VALUES ARE IN OHMS.
 ALL CAPACITORS ARE CERAMIC CAPACITOR OR MYLAR CAPACITOR.
 ALL CAPACITANCE VALUES ARE IN μF (μF).
 ALL INDUCTANCE VALUES ARE IN mH (mH).
 ALL ELECTROLYTIC CAPACITORS ARE SHOWN IN THE FORM OF CAPACITANCE (μF)/RATED VOLTAGE (V).
 ALL DIMENSIONS ARE IN MILLIMETERS (mm).

System control section

(SHEET 4)

(SHEET 4)

(SHEET 4)

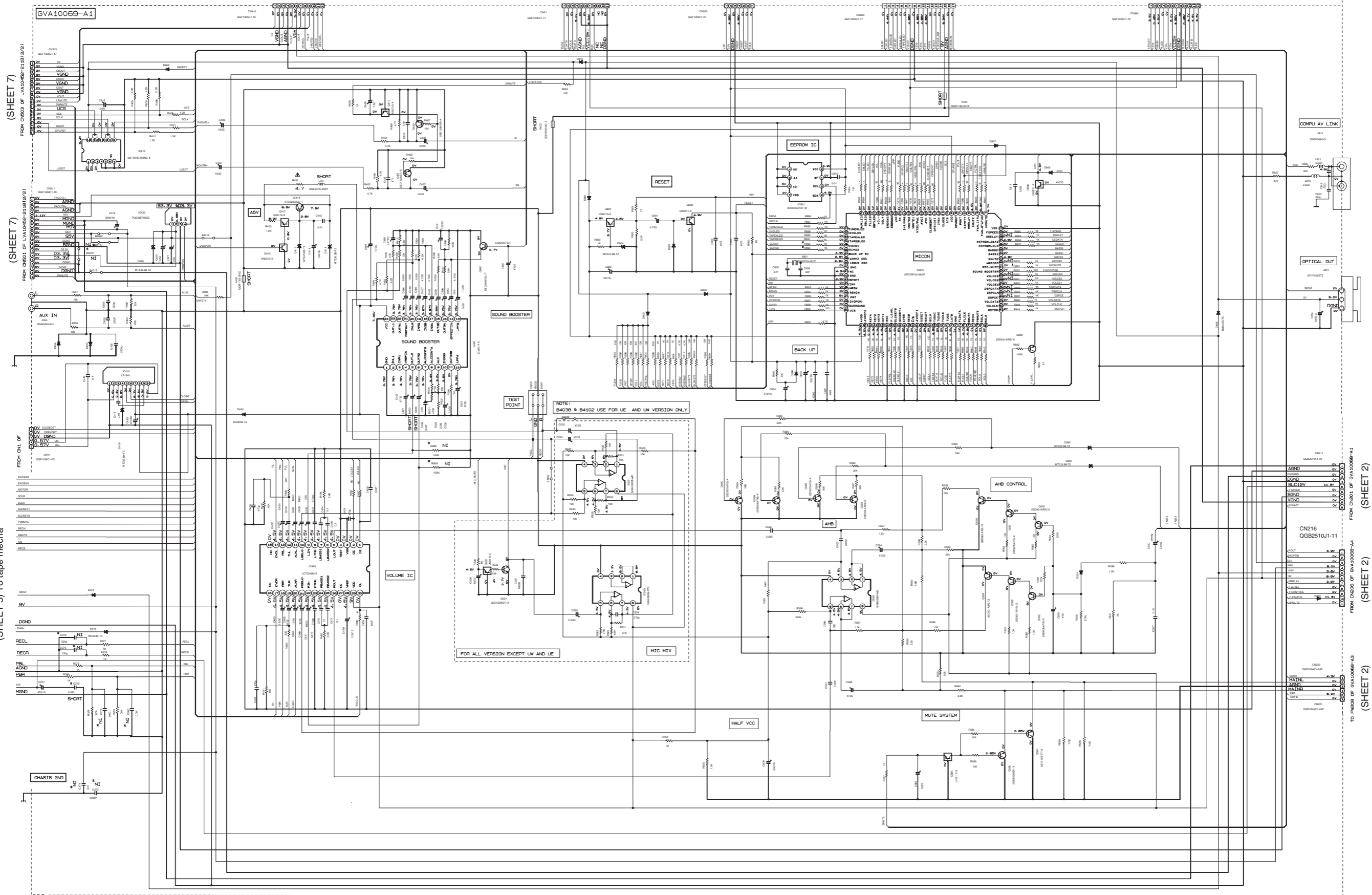
TO CN420 OF GVA10068-A5

TO CN1 OF GAU0307-001 (TUNER PACK)

FOR FLASH MICCON

TO CN870 OF GVA10070-A3

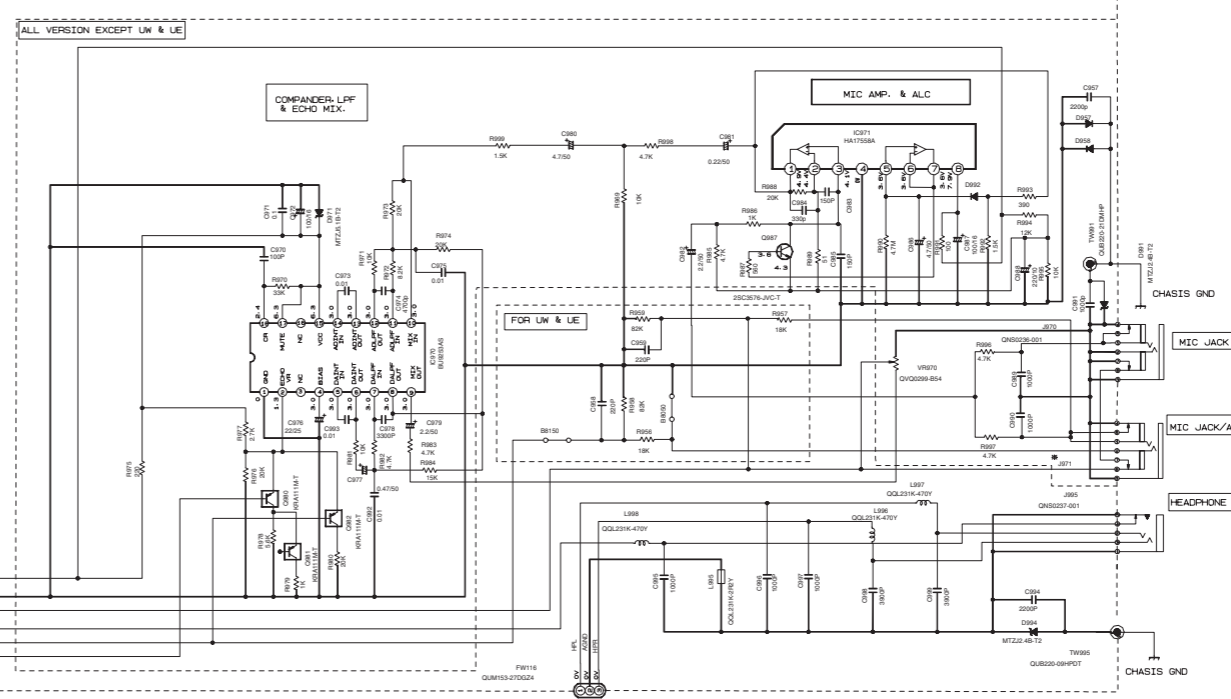
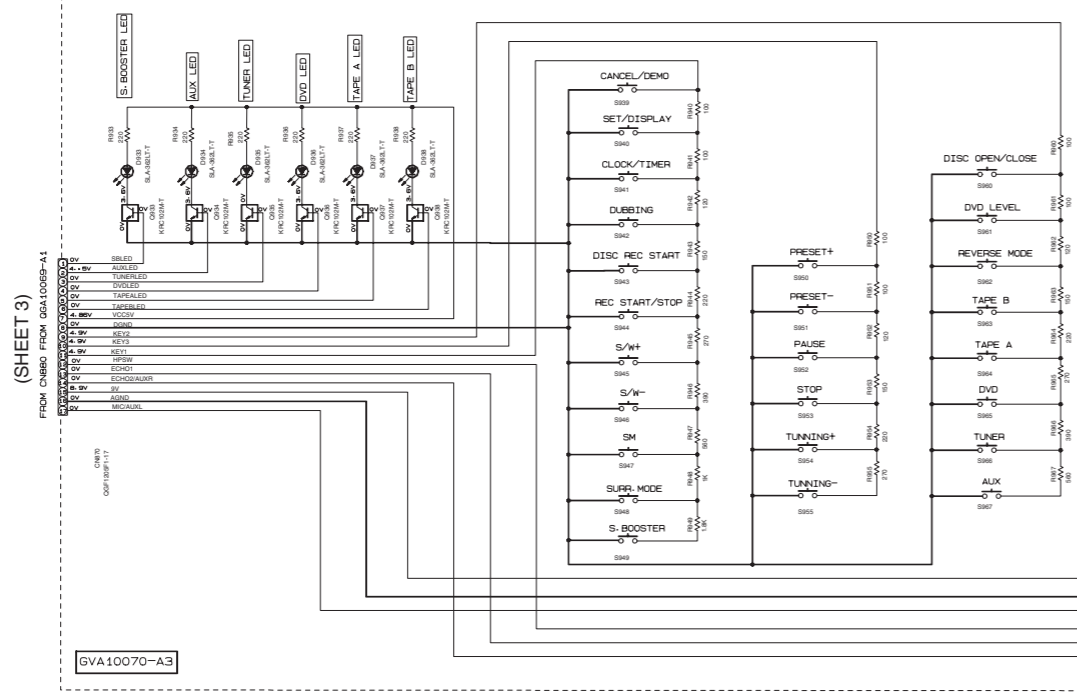
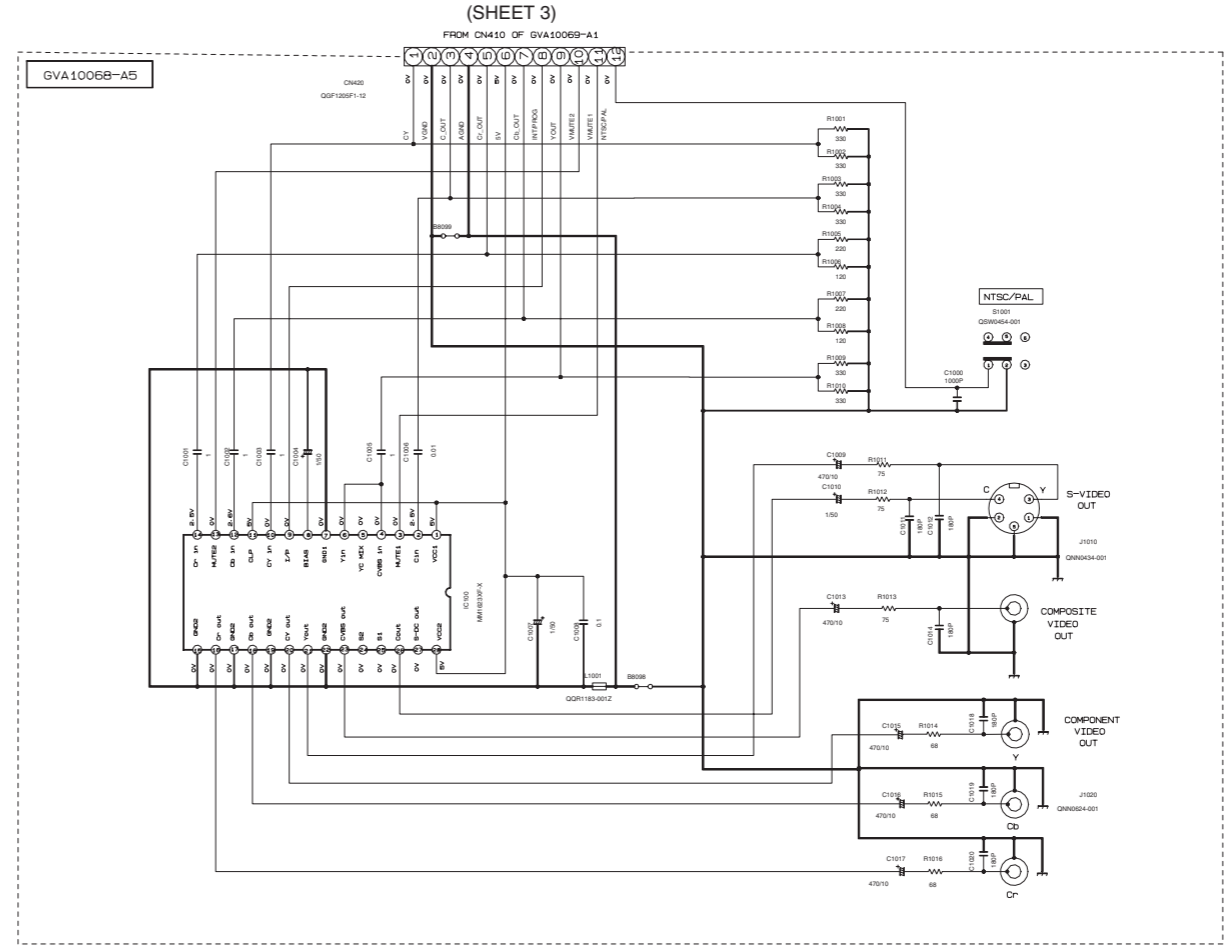
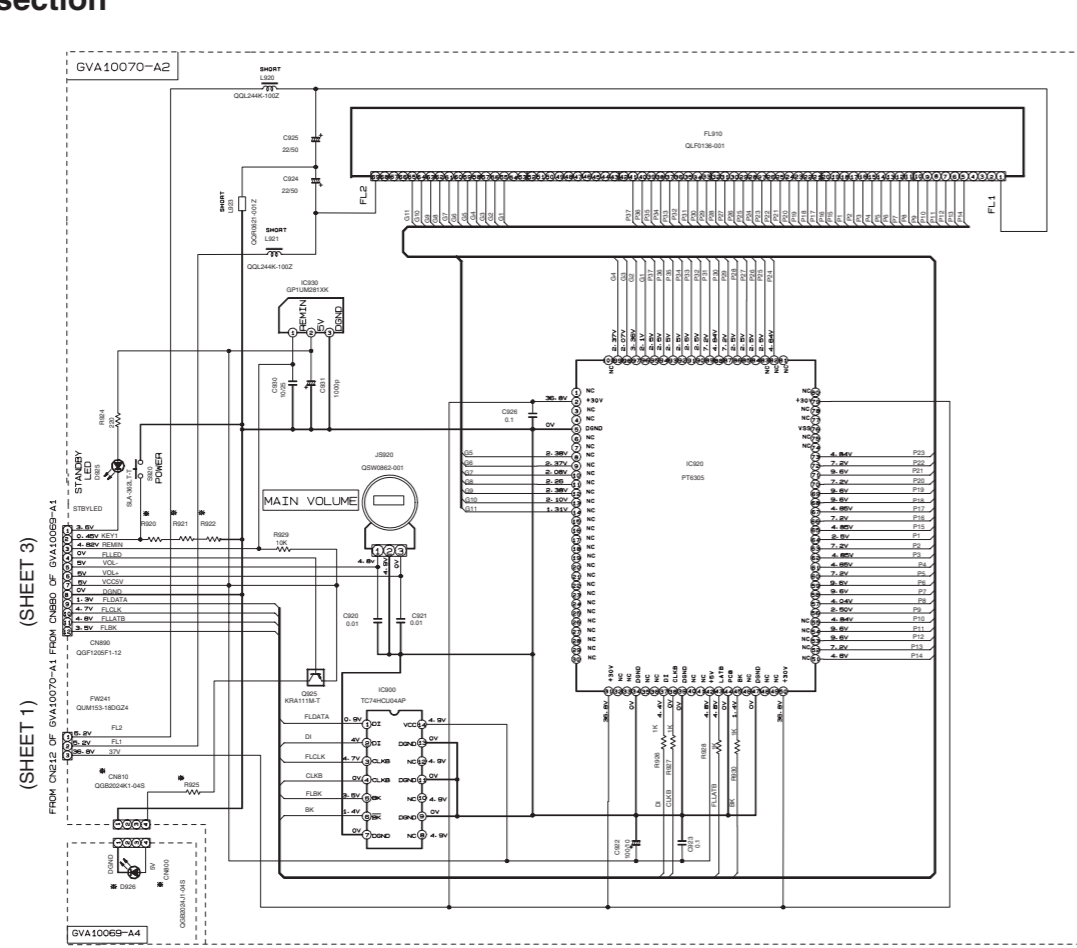
TO CN890 OF GVA10070-A2



NOTE: # ----> UE/UW NOT INSERT

- NOTES
1. VOLTAGES ARE DC-MEASURED WITH A DIGITAL VOLT METER OR OSCILLOSCOPE WITHOUT INPUT SIGNAL.
CONDITION --- AHS MODE, VOL. NON, BIAS OFF
 2. UNLESS OTHERWISE SPECIFIED
RESISTOR ARE 1/4W 5% TOLERANCE RESISTOR
ALL RESISTANCE VALUES ARE IN OHMS
ALL CAPACITORS ARE CERAMIC CAPACITOR OR MYLAR CAPACITOR
ALL CAPACITANCE VALUES ARE IN nF (10⁻⁹F)
ALL INDUCTANCE VALUES ARE IN mH (10⁻³H)
ALL S-CAPACITORS ARE SHOWN IN THE FORM OF CAPACITANCE (NOMINATED VOLTAGE (V)).
ALL DIMENSIONS ARE IN MILLIMETERS
 3. N.C. --- OBSERVE NOT INSERT

FL display section



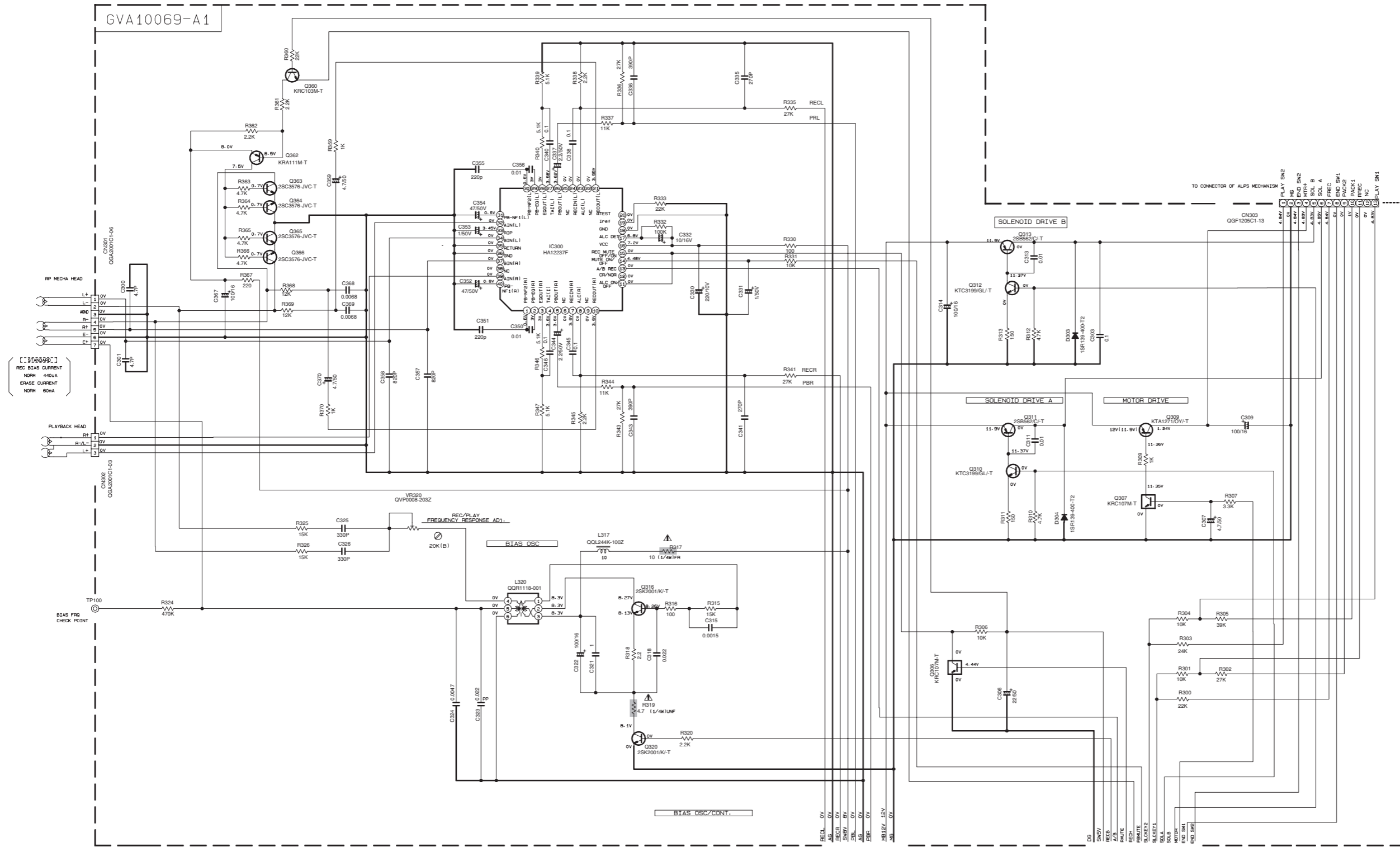
VERSION	MX-JD3			MX-JD5			MX-JD8			REMARK		
	UN/US	UX	UE	UN/US	UX	UE	UN/US	UX	UE			
R920 (B9003)	100	200	200	470	470	2K	470	1.2K	1.2K	2K	VER. SETTING FOR KEY1	
R921 (B9005)	SHORT	SHORT	120	SHORT	220	910	220	150	510	910	VER. SETTING FOR KEY2	
R921 (B9006)	SHORT	SHORT	SHORT	SHORT	SHORT	1.8K	270	SHORT	200	300	SHORT	VER. SETTING FOR KEY3
CN810	NONE	NONE	NONE	USE	USE	USE	USE	USE	USE	USE	USE	
CN820	NONE	NONE	NONE	USE	USE	USE	USE	USE	USE	USE	USE	
D926	NONE	NONE	NONE	SL1-343JRC3F	SL1-343JRC3F	SL1-343JRC3F	SL1-343JRC3F	SELUGE10C-P	SELUGE10C-P	SELUGE10C-P	SELUGE10C-P	
J971	QNS0236-001	QNS0236-001	QNS0236-001	QNS0236-001	QNS0236-001	QNS0236-001	QNS0236-001	QNS0236-001	QNS0236-001	QNS0236-001	QNS0236-001	
R926	NONE	NONE	NONE	200	200	200	200	150	150	150	150	

NOTES

- VOLTAGES ARE DC-MEASURED WITH A DIGITAL VOLT METER OR OSCILLOSCOPE WITHOUT INPUT SIGNAL.
CONDITION — AUX KEYS — VOL. MIN — BASS OFF
- VALUES OTHERWISE SPECIFIED

RESISTORS ARE 1/4W ± 5% CARBON RESISTOR.
ALL RESISTANCE VALUES ARE IN OHM Ω.
ALL CAPACITORS ARE CERAMIC CAPACITOR OR MYLAR CAPACITOR.
ALL CAPACITANCE VALUES ARE IN PPF (P).
ALL INDUCTANCE VALUES ARE IN MH (M).
ALL E-CAPACITORS ARE SHOWN IN THE FORM OF CAPACITANCE (μF)/RATED VOLTAGE (V).
ALL DIMS ARE IN MM (M).
ALL TACT SWITCHES ARE G96074-0012

■ Tape mecha section

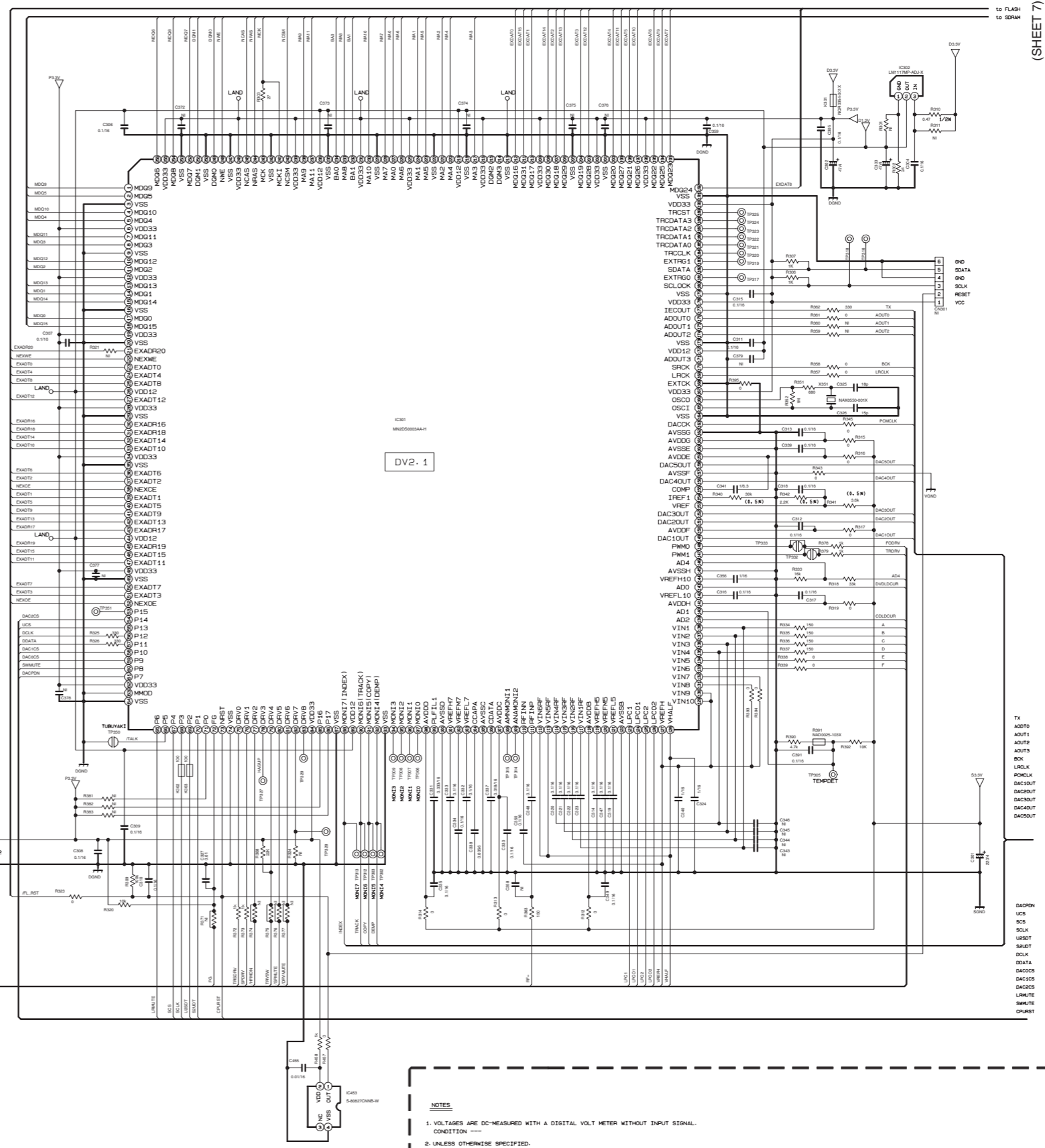
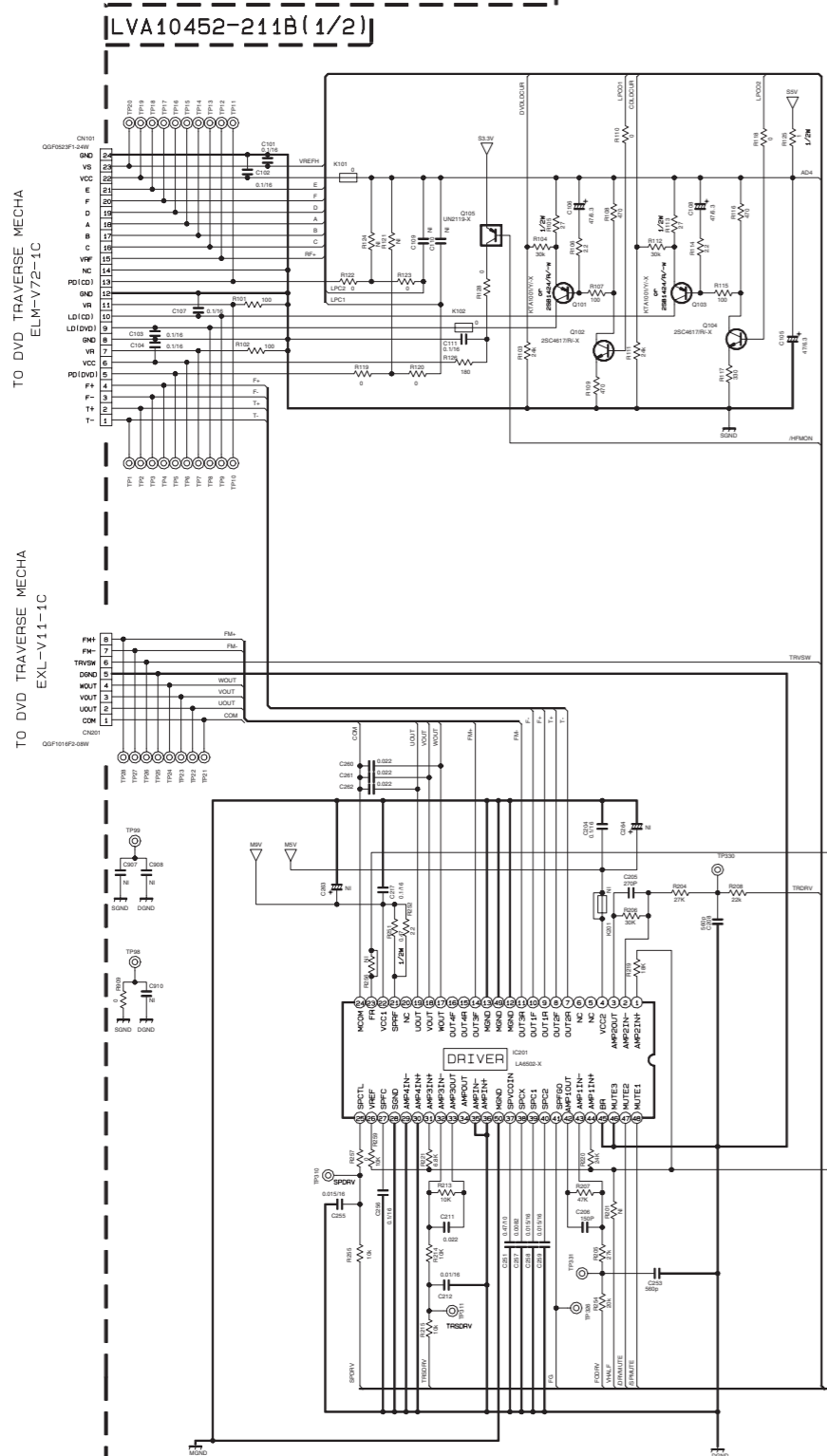


NOTES

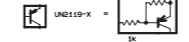
- 1. VOLTAGES ARE DC-MEASURED WITH A DIGITAL VOLT METER OR OSCILLOSCOPE WITHOUT INPUT SIGNAL. CONDITION: MECHA STOP MODE
- 2. UNLESS OTHERWISE SPECIFIED, RESISTORS ARE 1/10W ±5% METAL GLAZE RESISTOR. ALL RESISTANCE VALUES ARE IN OHM(Ω).
- 3. ALL CAPACITORS ARE CERAMIC CAPACITOR OR MYLAR CAPACITOR. ALL CAPACITANCE VALUES ARE IN #F(10⁻⁶F).
- 4. ALL INDUCTANCE VALUES ARE IN #H(10⁻³H).
- 5. ALL E-CAPACITORS ARE SHOWN IN THE FORM OF CAPACITANCE (#F)/RATED VOLTAGE (V).
- 6. POLYPROPYLENE CAPACITOR

▲ Parts are safety assurance parts. When replacing those parts make sure to use the specified one.

DVD Servo section (1/2)



- NOTES**
1. VOLTAGES ARE DC-MEASURED WITH A DIGITAL VOLT METER WITHOUT INPUT SIGNAL. CONDITION ---
 2. UNLESS OTHERWISE SPECIFIED, ALL RESISTORS ARE 1/10W ±5% METAL GLAZE RESISTOR, OR 0.5% METAL GLAZE RESISTOR. ALL CAPACITORS ARE 50V, 20V, 16V, 10V or 6.3V CERAMIC CAPACITOR. ALL RESISTANCE VALUES ARE IN Ω(MΩ). ALL CAPACITANCE VALUES ARE IN pF(pFpF). ALL E-CAPACITORS ARE SHOWN IN THE FORM OF CAPACITANCE(pF)/RATED VOLTAGE (V).
 3. NC STANDS FOR NOT INSERTED PARTS. ALL INDUCTANCE VALUES ARE IN μH(mH).
 4. DIGITAL TRANSISTOR



(SHEET 7)

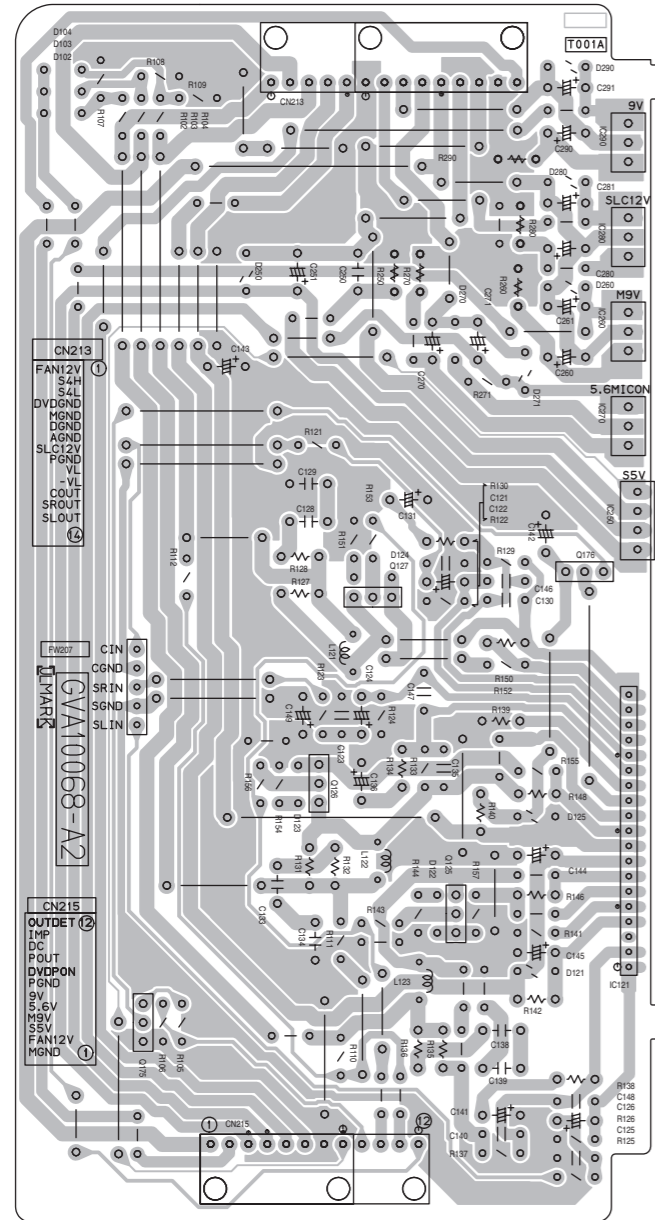
(SHEET 7)

(SHEET 7)

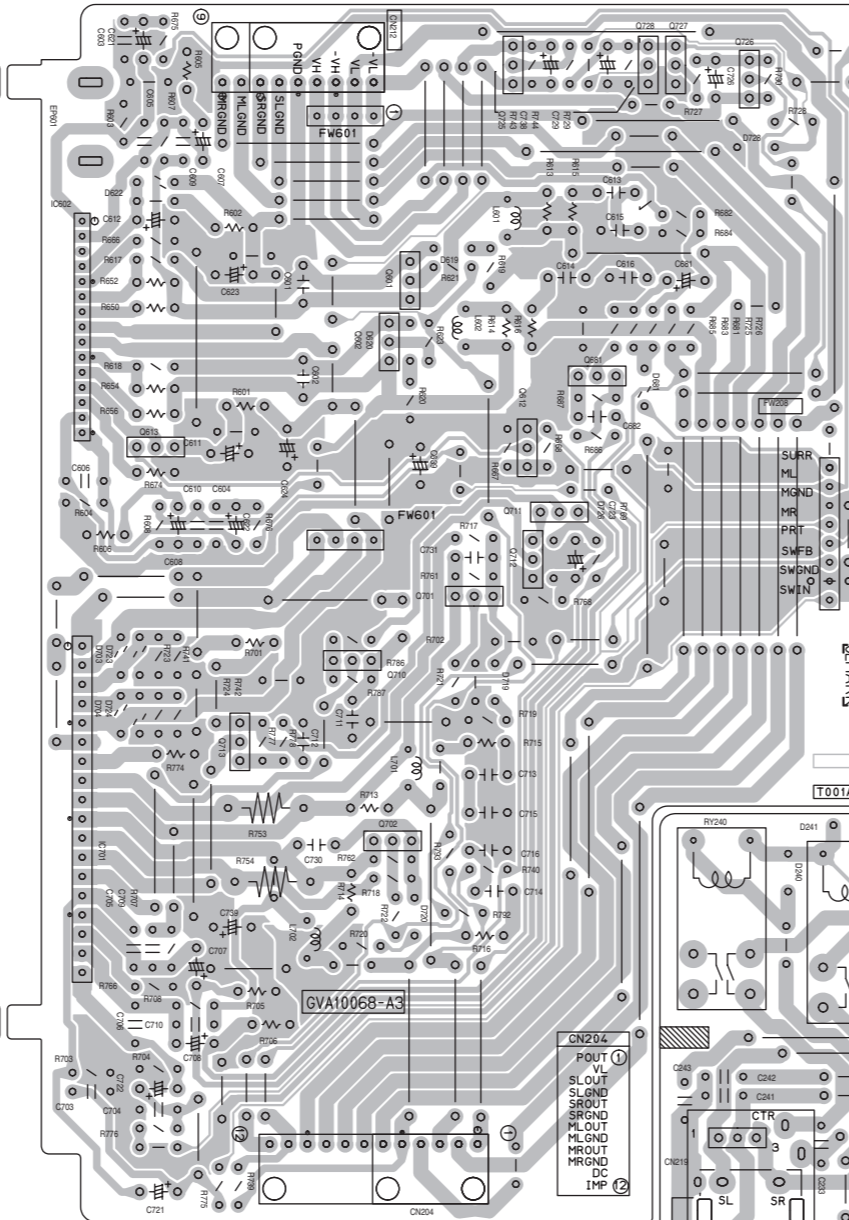
Printed circuit boards

Power board

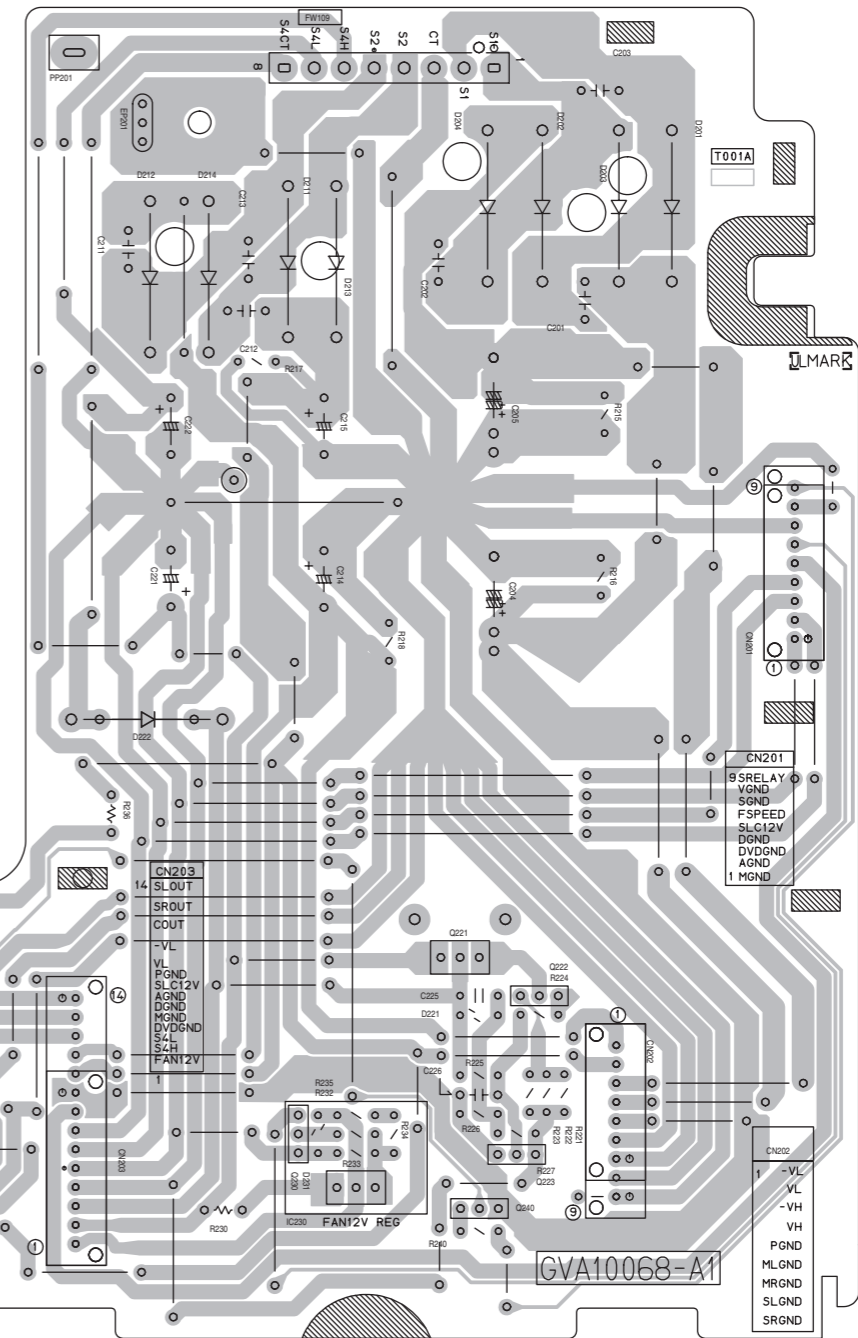
(Regulator & Surround amplifier board)



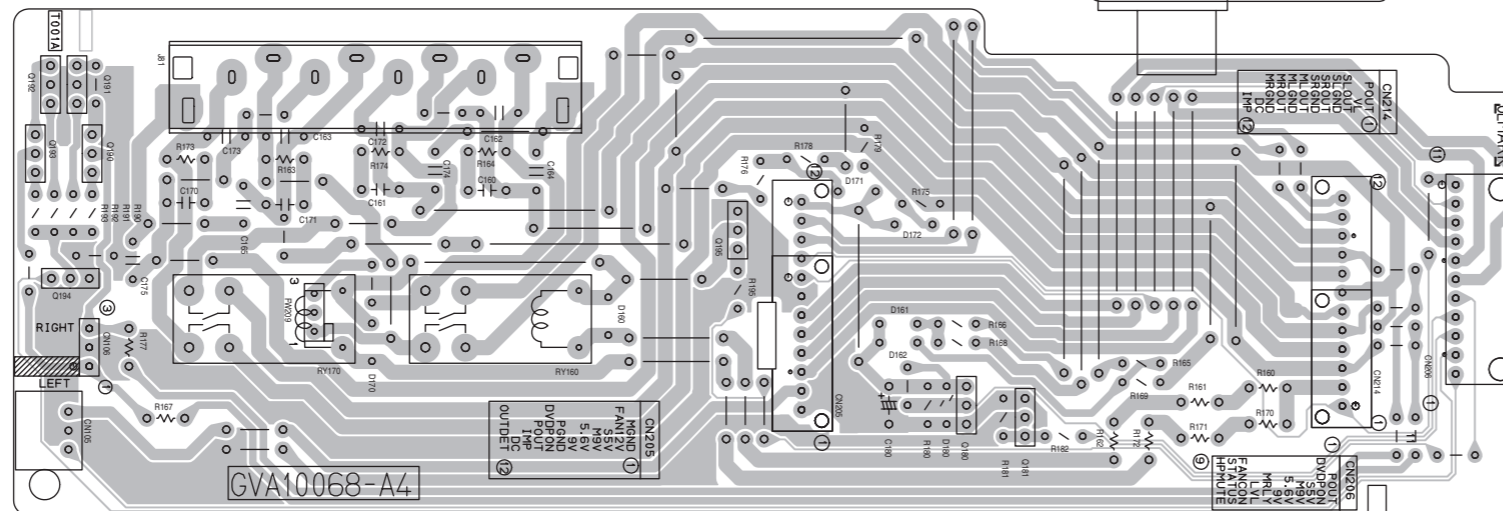
(Main & Subwoofer amplifier board)



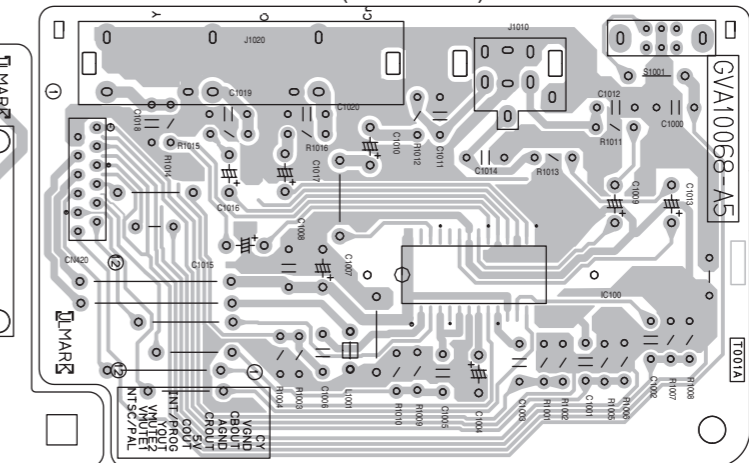
(Primary board)



(Speaker terminal board)

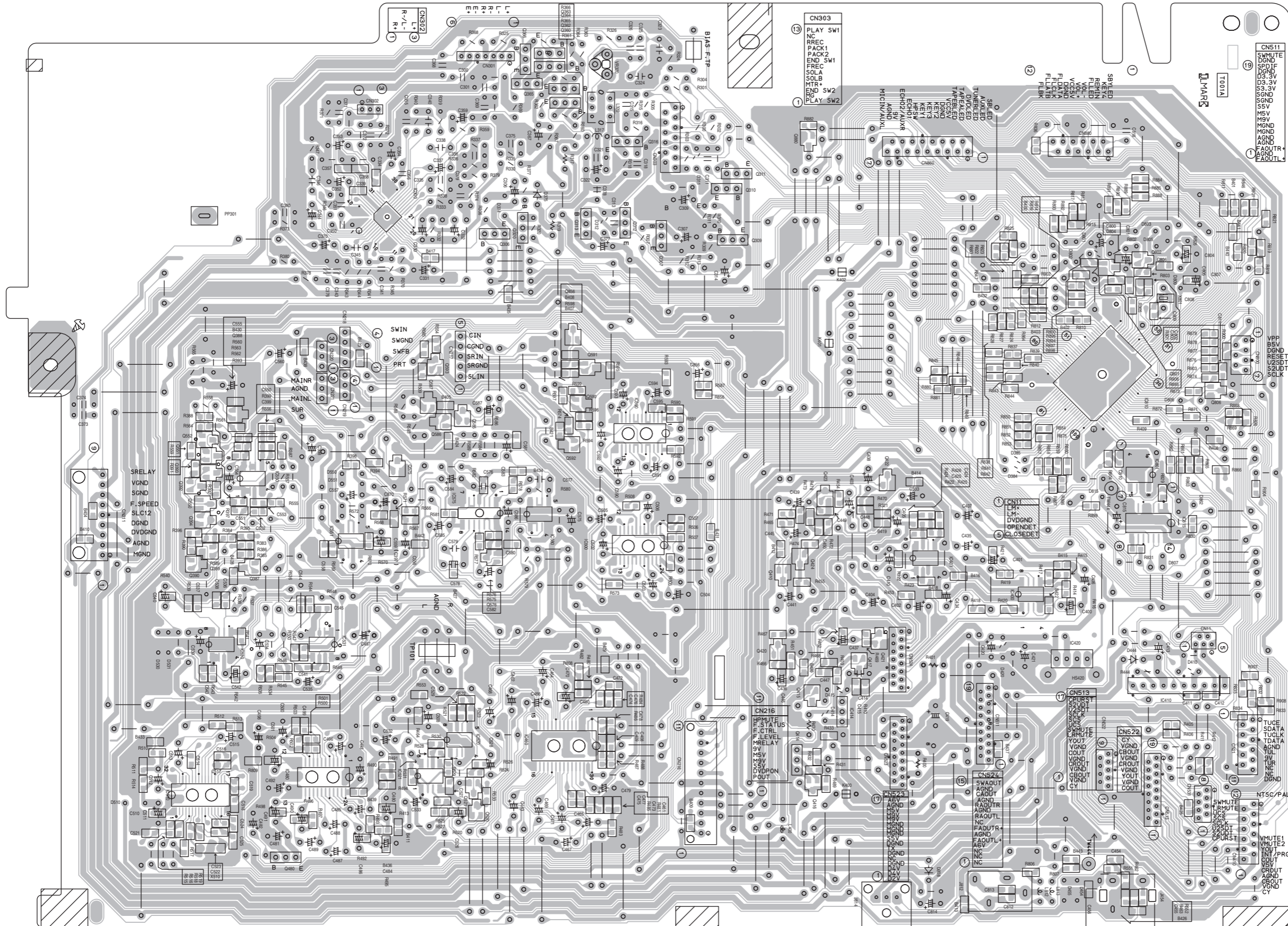


(Video board)

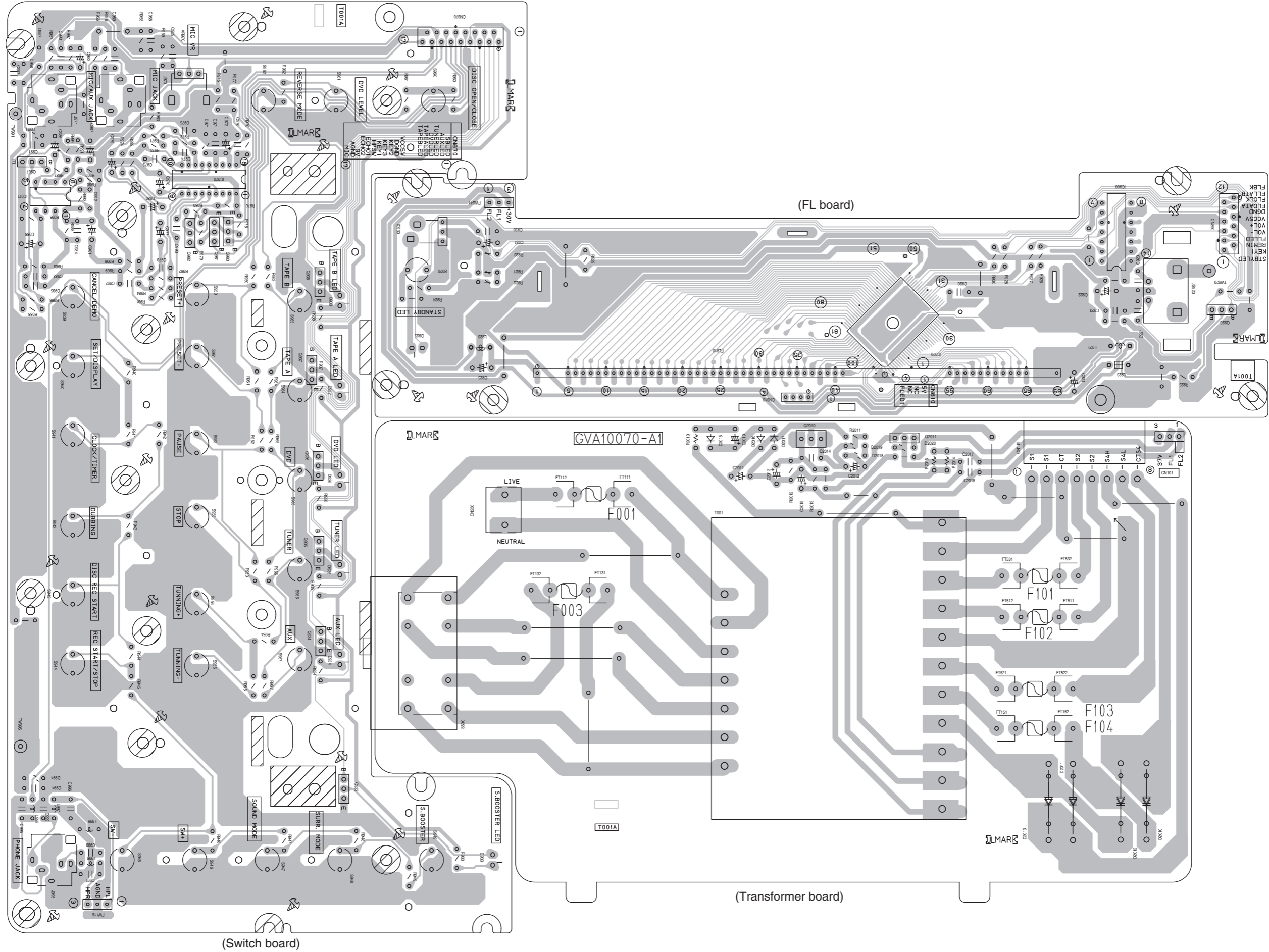


Input board

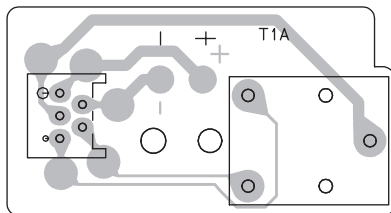
(Main board)



■ Front board



■ DVD Switch board



JVC

VICTOR COMPANY OF JAPAN, LIMITED

AV & MULTIMEDIA COMPANY AUDIO/VIDEO SYSTEMS CATEGORY 10-1, 1chome, Ohwatari-machi, Maebashi-city, 371-8543, Japan

(No.MB191SCH)



Printed in Japan
WPC

PARTS LIST

[MX-JD3]

* All printed circuit boards and its assemblies are not available as service parts.

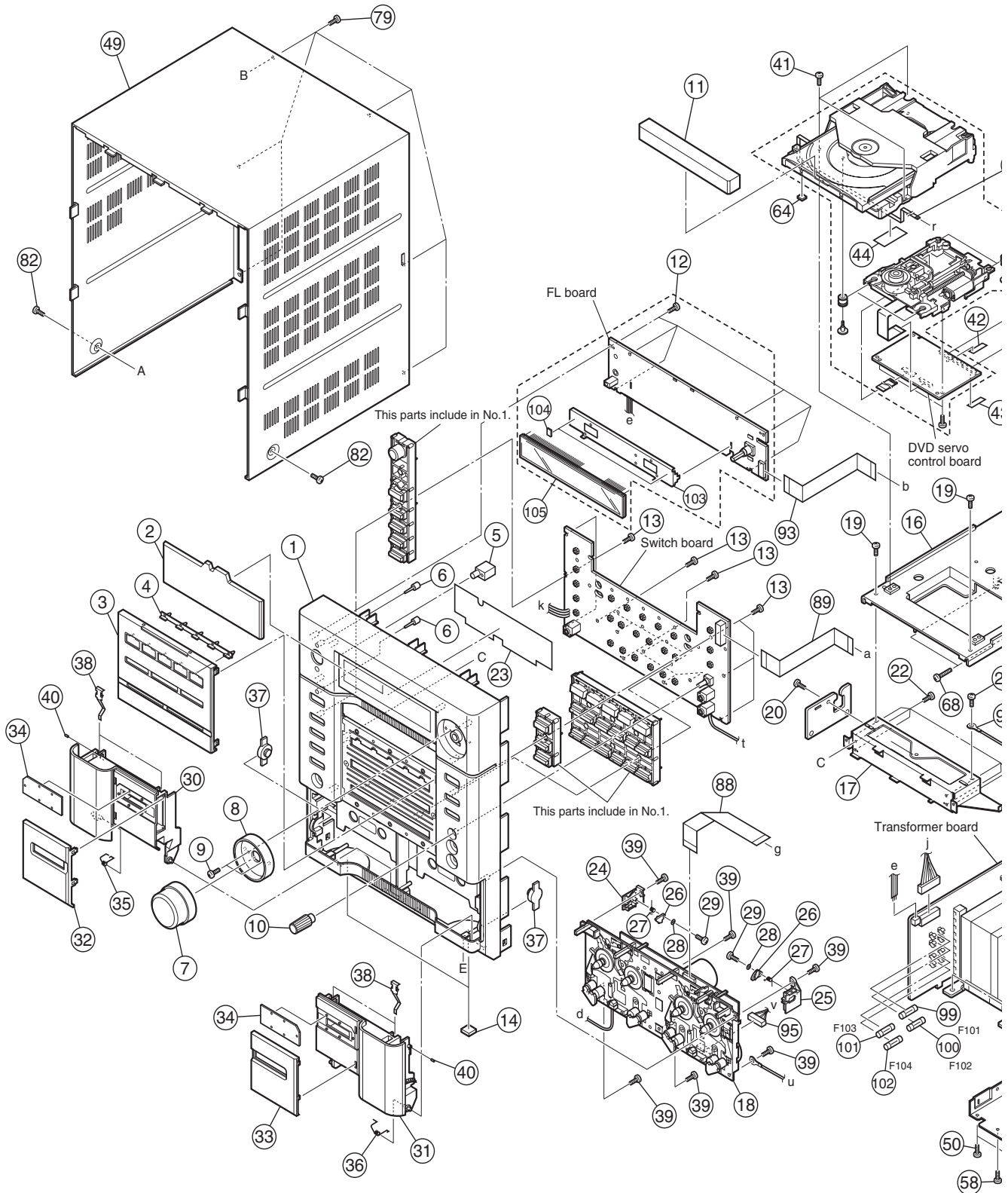
Area suffix	
US	----- Singapore
UX	----- Saudi Arabia
UN	----- Asean
UE	----- Turkey

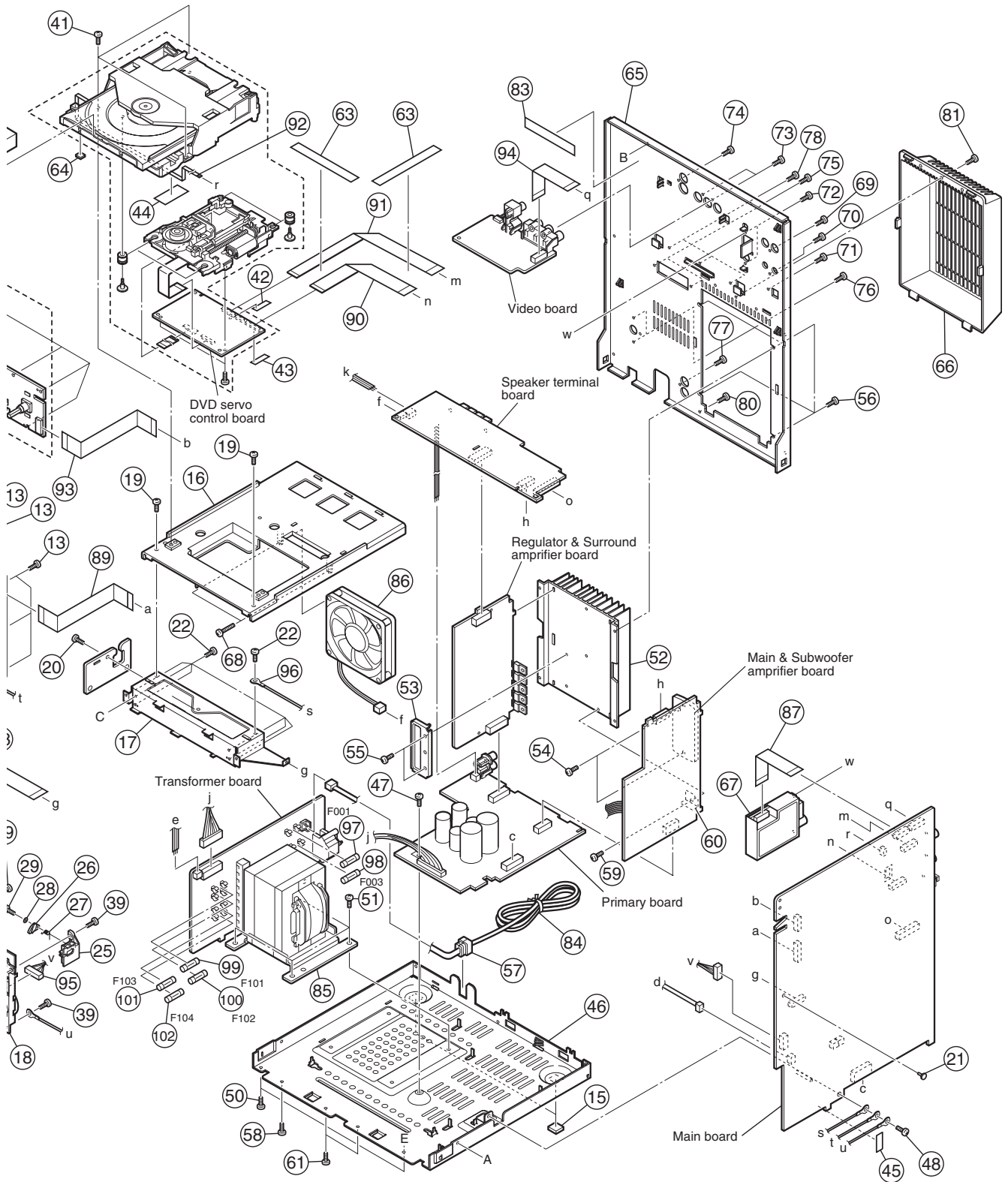
- Contents -

Exploded view of general assembly and parts list (Block No.M1)	-----	3- 2
DVD mechanism assembly and parts list (Block No.MJ)	-----	3- 5
DVD Loading mechanism assembly and parts list (Block No.MN)	-----	3- 7
Electrical parts list (Block No.01~05)	-----	3- 9
Packing materials and accessories parts list (Block No.M3)	-----	3-18

Exploded view of general assembly and parts list

Block No. **M 1 M M**





General Assembly

Block No. [M][1][M][M]

Symbol No.	Part No.	Part Name	Description	Local
1	GV10220-006A	FRONT PANEL ASS		UE
1	GV10220-003A	FRONT PANEL ASS		UN,U S,UX
2	GV30576-003A	FL LENS		
3	GV20277-002A	FRONT COVER		
4	GV30577-001A	FUNC.INDICATOR		
5	GV40485-002A	REMOTE LENS		
6	GV40486-002A	INDICATOR LENS	(x2)	
7	GV30580-001A	VOLUME KNOB		
8	LV42979-002A	VOLUME RING		
9	QYSDSF2608Z	SCREW	2.6mm x 8mm(x2)	
10	GV40083-004A	MIC.KNOB		UN,U S,UX
11	GV30583-002A	TRAY FITTING		
12	QYSDSF2608Z	SCREW	2.6mm x 8mm(x6)	
13	QYSDSF2608Z	SCREW	2.6mm x 8mm(x13)	
14	GV40246-001A	FOOT SPACER	(x2)	
15	GV40246-002A	FOOT SPACER	(x2)	
16	GV10206-001A	CENTER CHASSIS		
17	GV20275-001A	STAY BRACKET		
18	CMAT5Z226	CASS.MECHA		
19	QYSBSG3008Z	TAPPING SCREW	3mm x 8mm(x2)	
20	QYSBSG3008Z	TAPPING SCREW	3mm x 8mm	
21	E310243-002	PLASTIC RIVET		
22	QYSDSF2608Z	SCREW	2.6mm x 8mm(x6)	
23	GV40512-002A	FL FILTER		
24	GV40496-001A	SWING CAM(L)		
25	GV40497-001A	SWING CAM(R)		
26	GV40501-001A	SWING CAM	(x2)	
27	GV40502-002A	SPRING	(x2)	
28	GV40503-001A	WASHER	(x2)	
29	GV40504-001A	SCREW	(x2)	
30	GV10204-001A	CASS.HOLDER(L)		
31	GV10205-001A	CASS.HOLDER(R)		
32	GV20278-004A	CASS.COVER (L)		
33	GV20279-004A	CASS.COVER (R)		
34	GV40487-001A	CASS.LENS	(x2)	
35	GV40489-001A	DOOR SPRING(L)		
36	GV40490-001A	DOOR SPRING(R)		
37	GV40034-001A	DAMPER ASSY.	(x2)	
38	VKY4180-401	CASSETTE SPRING	(x4)	
39	QYSBSF3010Z	TAP SCREW	3mm x 10mm(x6)	
40	GV40515-001A	METAL PIN	(x2)	
41	QYSBSF3012Z	TAP SCREW	3.0mm x 12mm(x3)	
42	LV30225-011A	SPACER		
43	LV30225-011A	SPACER		
44	LV30225-011A	SPACER		
45	LV30225-011A	SPACER		
46	GV10209-001A	BOTTOM CHASSIS		
47	QYSBSGG3008E	TAPPING SCREW	3mm x 8mm	
48	QYSBSGG3008E	TAPPING SCREW	3mm x 8mm	
49	GV10217-003A	METAL COVER		
50	QYSBSG3010Z	TAPPING SCREW	3mm x 10mm(x2)	
51	QYSDSTL4008Z	ASSY SCREW	4mm x 8mm(x4)	
52	GV30581-002A	HEAT SINK		
53	GV40488-001A	LEAF SPRING		
54	QYSBSG3014E	TAP SCREW	3mm x 14mm(x2)	
55	QYSBSG3014E	TAP SCREW	3mm x 14mm(x2)	
56	QYSBSGY3008E	SPECIAL SCREW	3mm x 8mm(x4)	
57	QZW0033-001	STRAIN RELIEF		
58	QYSBSG3010Z	TAPPING SCREW	3mm x 10mm	
59	QYSBSG3014E	TAP SCREW	3mm x 14mm	
60	GV40327-002A	IC BRD.HOLDER		
61	QYSST3006Z	SCREW	3mm x 6mm(x2)	
63	GV30349-003A	SPACER	(x2)	
64	E3400-431	SPECER		
65	GV10207-014A	REAR PANEL		UE
65	GV10207-013A	REAR PANEL		UN,U S
65	GV10207-012A	REAR PANEL		UX
66	GV10208-001A	REAR COVER		
67	QAU0347-001	TUNER		UE
67	QAU0346-001	TUNER		UN,U S,UX
68	QYSBSF3035Z	TAP SCREW	M3 x 35mm(x2)	

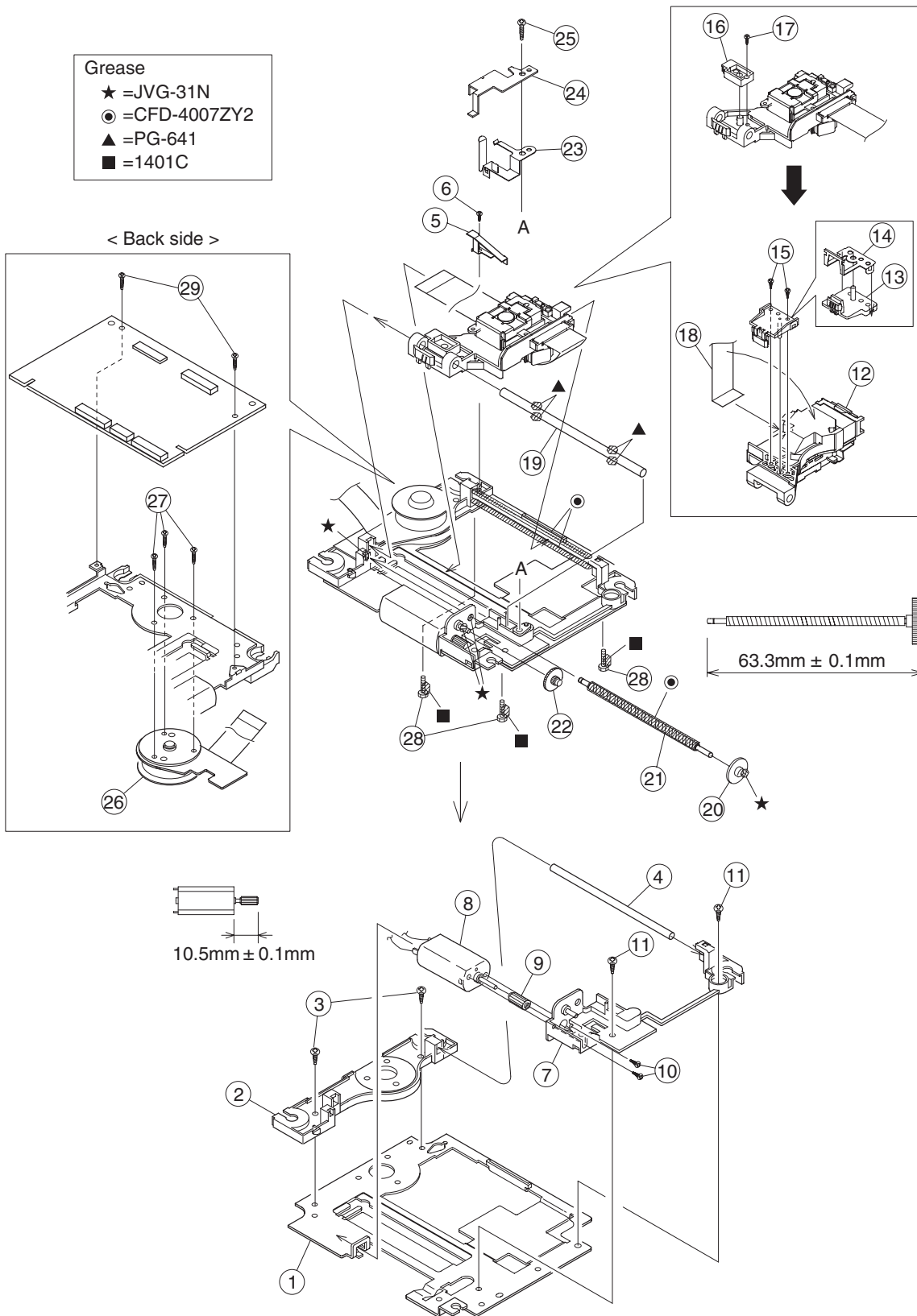
Symbol No.	Part No.	Part Name	Description	Local
69	QYSBSGY3008E	SPECIAL SCREW	3mm x 8mm	UN,U S,UX
70	QYSBSGY3008E	SPECIAL SCREW	3mm x 8mm	
71	QYSBSGY3008E	SPECIAL SCREW	3mm x 8mm	
72	QYSBSGY3008E	SPECIAL SCREW	3mm x 8mm(x2)	
73	QYSBSGY3008E	SPECIAL SCREW	3mm x 8mm(x2)	
74	QYSBSGY3008E	SPECIAL SCREW	3mm x 8mm	
75	QYSBSGY3008E	SPECIAL SCREW	3mm x 8mm(x2)	
76	QYSBSF3012E	SPECIAL SCREW	3mm x 12mm(x2)	
77	QYSBSGY3008E	SPECIAL SCREW	3mm x 8mm	
78	QYSBSGY3008E	SPECIAL SCREW	3mm x 8mm(x3)	
79	QYSBSGY3008E	SPECIAL SCREW	3mm x 8mm(x6)	
80	QYSBSGY3008E	SPECIAL SCREW	3mm x 8mm	
81	QYSBSGY3008E	SPECIAL SCREW	3mm x 8mm	
82	QYSDSG3006N	TAP SCREW	M3 x 6mm(x2)	
83	LV41843-002A	LASER CAUTION		
△ 84	QMPK210-205-JN	POWER CORD(EU)	2.05m BLACK	UE,U N,US UX
△ 84	QMPR290-200-JN	POWER CORD(EU)	2m BLACK	
△ 85	QQT0437-001	POWER TRANSF		
86	QAR0317-001	FAN		
87	QUQH12-1108AJ	CARD WIRE	FC21	
88	QUQH12-1314AJ	FFC WIRE	FC303	
89	QUQH12-1714BJ	CARD WIRE	FC860	
90	QUQH10-1730BJ	CARD WIRE	FC513	
91	QUQH10-1920BJ	CARD WIRE	FC511	
92	QUQH10-0541BJ	CARD WIRE	FC11	
93	QUQH12-1211AJ	CARD WIRE	FC880	
94	QUQH12-1210AJ	CARD WIRE	FC410	
95	WJN0074-003A	SIGNAL WIRE	FW301	
96	WJZ0137-001A	S.WIRE	TW992	
△ 97	QMF51W2-4R0-J8	FUSE	F001 4A AC250V	
△ 98	QMF51W2-2R0-J8	FUSE	F003 2A AC250V	
△ 99	QMF51W2-3R15-J8	FUSE	F101 3.15A AC250V	
△ 100	QMF51W2-3R15-J8	FUSE	F102 3.15A AC250V	
△ 101	QMF51W2-2R0-J8	FUSE	F103 2A AC250V	
△ 102	QMF51W2-3R15-J8	FUSE	F104 3.15A AC250V	
103	GV30507-001A	FL HOLDER		
104	GV30349-021A	SPACER	(x2)	
105	QLF0136-001	FL TUBE	FL910	

DVD mechanism assembly and parts list

Block No. M J M M

FTU-DE2-11M

- Grease
- ★ =JVG-31N
 - =CFD-4007ZY2
 - ▲ =PG-641
 - =1401C



DVD mechanism

Block No. [M][J][M][M]

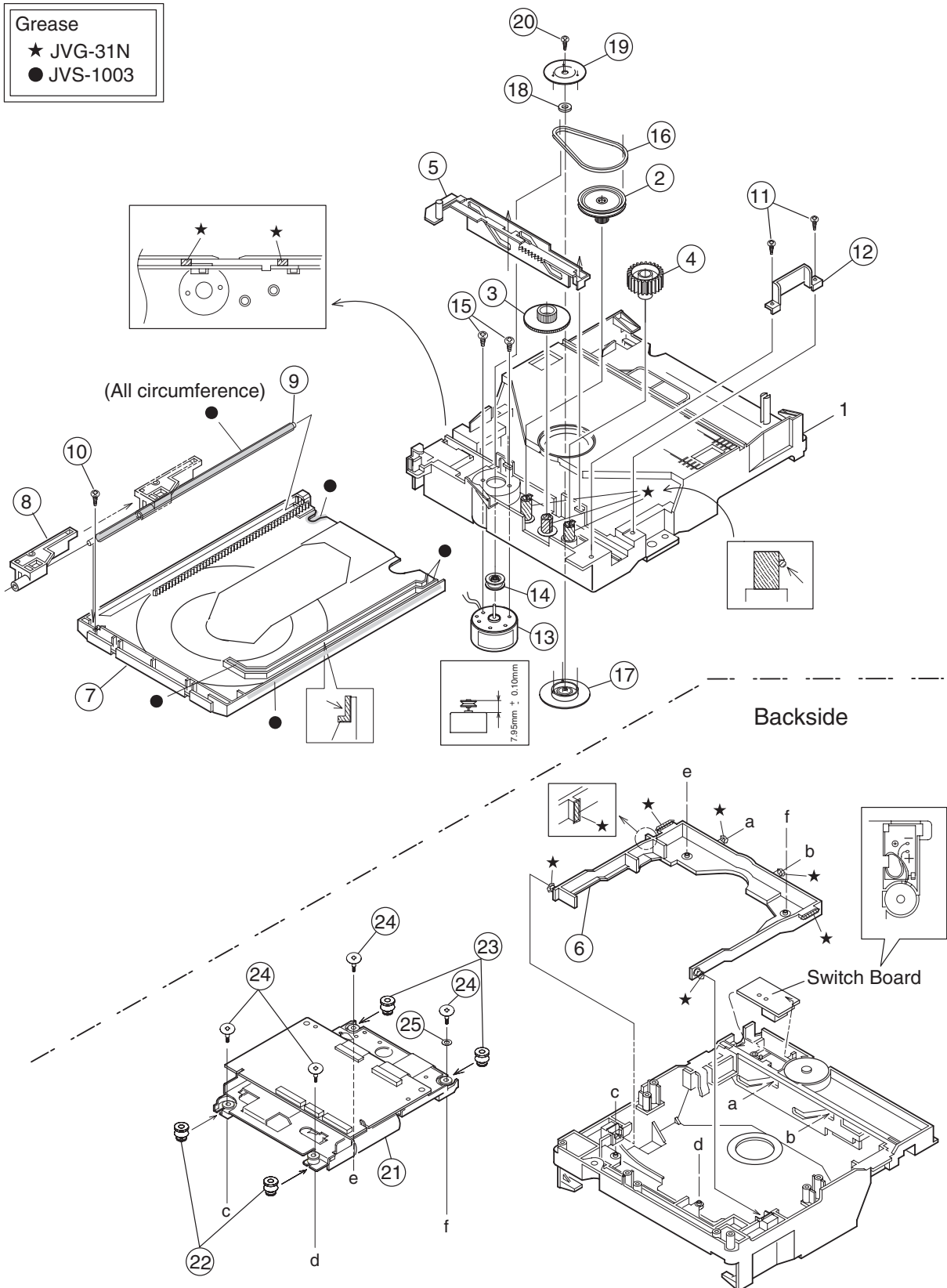
Symbol No.	Part No.	Part Name	Description	Local
1	LE20725-001A	MECHA BASE		
2	LE20699-002A	SPINDLE BASE		
3	QYSDST2605M	TAP SCREW	M2.6 x 5mm(x2)	
4	LE40931-001A	SHAFT		
5	LV33991-001A	ADJUST SPRING		
6	QYSPSFU2040M	TAP SCREW	M2 x 4mm	
7	LE20698-004A	FEED HOLDER		
8	QAR0215-001	FEED MOTOR		
9	LV41510-201A	FEED GEAR T		
10	QYSPSPU2040M	SCREW	M2 x 4mm(x2)	
11	QYSDST2605M	TAP SCREW	M2.6 x 5mm(x2)	
12	QAL0507-001	PICK UP		
13	LE20700-001A	SW ACTUATOR		
14	LE31067-002A	LEAD SPRING		
15	QYSPSFU1740Z	TAP SCREW	M1.7 x 4mm(x2)	
16	LE40929-001A	SW.LEVER		
17	QYSPSFU1740Z	TAP SCREW	M1.7 x 4mm	
18	QUQ105-2411AC	FFC		
19	LE40931-001A	SHAFT		
20	LE40855-001A	FEED GEAR E		
21	LE40918-001A	LEAD SCREW		
22	LE40930-001A	FEED GEAR M		
23	LE40928-001A	THURUST SPRING		
24	LE40927-001A	PLATE		
25	QYSDST2614Z	TAPPING SCREW	M2.6 x 14mm	
26	QAR0316-001	SPINDLE MOTOR		
27	QYSPSPU1740Z	SCREW	M1.7 x 4mm(x3)	
28	LE40858-002A	SPECIAL SCREW	(x3)	
29	QYSDST2004Z	SCREW	2mm x 4mm(x2)	

DVD loading base and parts list

FMU-DE2-11M

Block No. M N M M

Grease
 ★ JVG-31N
 ● JVS-1003



DVD loading base

Block No. [M][N][M][M]

Symbol No.	Part No.	Part Name	Description	Local
1	LE10275-006A	LOADING BASE		
2	LE31043-001A	PULLEY GEAR		
3	LE31042-001A	MIDDLE GEAR		
4	LE31044-001A	IDLE GEAR		
5	LE20665-001A	SLIDE CAM		
6	LE20666-003A	ELEVATOR		
7	LE10276-002A	TRAY		
8	LE31045-001A	BUSHING		
9	LE40898-001A	SHAFT		
10	QYSSSF2008Z	TAP SCREW	M2 x 8mm	
11	QYSDSF2008Z	TAP SCREW	M2 x 8mm(x2)	
12	LE40937-002A	LEAF SPRING		
13	QAR0197-001	MOTOR		
14	LV42087-002A	MOTOR PULLEY		
15	QYSPSPU1730Z	SCREW	M1.7 x 3mm(x2)	
16	LE40897-001A	BELT		
17	LE31046-003A	CLAMPER		
18	LV42930-003A	P.C.MAGNET		
19	LE40899-001A	YOKE		
20	LE40906-001A	SPECIAL SCREW		
21	-----	DVD TRAMECHA		
22	LE40900-003A	INSULATOR	(x2)	
23	LE40900-005A	INSULATOR	(x2)	
24	LE40901-001A	SPECIAL SCREW	(x4)	
25	QYWFM419025	WASHER	1.9mm/21.4mm x 0.02mm	
26	LV43828-001A	SPACER		

Electrical parts list

Power board

Block No. [0][1][0][0]

△ Symbol No.	Part No.	Part Name	Description	Local
	IC100	MM1623XF-X	IC	
△	IC230	KIA317PI	IC	
△	IC250	PQ05RD21	IC	
△	IC260	KIA7809API	IC	
△	IC270	KIA7805API	IC	
△	IC280	KIA7812API	IC	
△	IC290	KIA7809API	IC	
△	IC701	STK412-400	IC	
	Q181	KTC3203/OY/-T	TRANSISTOR	
	Q190	2SC3576-JVC-T	TRANSISTOR	
	Q191	2SC3576-JVC-T	TRANSISTOR	
	Q192	2SC3576-JVC-T	TRANSISTOR	
	Q193	2SC3576-JVC-T	TRANSISTOR	
	Q194	KRA111M-T	DIGI TRANSISTOR	
	Q195	KTC3199/GL/-T	TRANSISTOR	
△	Q221	KTA1046/Y/	TRANSISTOR	
	Q222	KTC3199/GL/-T	TRANSISTOR	
	Q223	KTC3199/GL/-T	TRANSISTOR	
	Q230	KRC102M-T	DIGI TRANSISTOR	
	Q681	2SK301/PQ/-T	TRANSISTOR	
	Q701	KTC3199/GL/-T	TRANSISTOR	
	Q702	KTC3199/GL/-T	TRANSISTOR	
	Q710	KTA1023/OY/-T	TRANSISTOR	
	Q711	KTC3200/GL/-T	TRANSISTOR	
	Q712	KTA1268/GL/-T	TRANSISTOR	
	Q713	KTC1027/OY/-T	TRANSISTOR	
	Q725	KTA1267/YG/-T	TRANSISTOR	
	Q726	KTC3199/GL/-T	TRANSISTOR	
	Q727	KTA1267/YG/-T	TRANSISTOR	
	Q728	KTC3199/GL/-T	TRANSISTOR	
	D160	1SS133-T2	DIODE	
	D161	1SS133-T2	DIODE	
	D162	1SS133-T2	DIODE	
	D180	MTZJ5.1B-T2	Z DIODE	
△	D201	1N5402M-20	DIODE	
△	D202	1N5402M-20	DIODE	
△	D203	1N5402M-20	DIODE	
△	D204	1N5402M-20	DIODE	
△	D211	1N5402M-20	DIODE	
△	D212	1N5402M-20	DIODE	
△	D213	1N5402M-20	DIODE	
△	D214	1N5402M-20	DIODE	
	D221	MTZJ5.6C-T2	Z DIODE	
	D222	2A02-M	DIODE	
	D231	MTZJ13B-T2	Z DIODE	
	D250	MTZJ5.6C-T2	Z DIODE	
	D260	MTZJ11B-T2	Z DIODE	
	D270	1SS133-T2	DIODE	
	D271	MTZJ6.8C-T2	Z DIODE	
	D280	MTZJ15B-T2	Z DIODE	
	D290	MTZJ11B-T2	Z DIODE	
	D681	MTZJ2.4B-T2	Z DIODE	
	D703	MTZJ15B-T2	Z DIODE	
	D704	MTZJ15B-T2	Z DIODE	
	D719	1SS133-T2	DIODE	
	D720	1SS133-T2	DIODE	
	D723	MTZJ36B-T2	Z DIODE	
	D724	MTZJ36B-T2	Z DIODE	
	D726	1SS133-T2	DIODE	
	D728	1SS133-T2	DIODE	
	C162	QDGB1HK-102Y	C CAPACITOR	1000pF 50V K
	C163	QDGB1HK-102Y	C CAPACITOR	1000pF 50V K
	C164	QDGB1HK-102Y	C CAPACITOR	1000pF 50V K
	C165	QDGB1HK-102Y	C CAPACITOR	1000pF 50V K
	C180	QETN1EM-476Z	E CAPACITOR	47uF 25V M
	C201	QFKC2EK-103Z	MM CAPACITOR	0.01uF 250V K
	C202	QFKC2EK-103Z	MM CAPACITOR	0.01uF 250V K
	C203	QFKC2EK-104Z	MM CAPACITOR	0.1uF 250V K
	C204	QEZO510-478	E CAPACITOR	4700uF

△ Symbol No.	Part No.	Part Name	Description	Local
	C205	QEZO510-478	E CAPACITOR	4700uF
	C211	QFLC2AJ-103Z	M CAPACITOR	0.01uF 100V J
	C212	QFLC2AJ-103Z	M CAPACITOR	0.01uF 100V J
	C213	QFKC2EK-104Z	MM CAPACITOR	0.1uF 250V K
	C214	EETB1VM-228JC	E CAPACITOR	
	C215	EETB1VM-228JC	E CAPACITOR	
	C221	QETM1EM-828	E CAPACITOR	8200uF 25V M
	C222	EETB1CM-828JC	E CAPACITOR	
	C225	QCBB1HK-103Y	C CAPACITOR	0.01uF 50V K
	C226	QCBB1HK-221Y	C CAPACITOR	220pF 50V K
	C250	QFVF1HJ-334Z	MF CAPACITOR	0.33uF 50V J
	C251	QETN1EM-477Z	E CAPACITOR	470uF 25V M
	C260	QETN1HM-106Z	E CAPACITOR	10uF 50V M
	C261	QETN1CM-227Z	E CAPACITOR	220uF 16V M
	C270	QETN1HM-106Z	E CAPACITOR	10uF 50V M
	C271	QETN1HM-106Z	E CAPACITOR	10uF 50V M
	C280	QETN1HM-106Z	E CAPACITOR	10uF 50V M
	C281	QETN1HM-106Z	E CAPACITOR	10uF 50V M
	C290	QETN1HM-106Z	E CAPACITOR	10uF 50V M
	C291	QETN1HM-106Z	E CAPACITOR	10uF 50V M
	C681	QETN1HM-224Z	E CAPACITOR	0.22uF 50V M
	C682	QFLC1HJ-823Z	M CAPACITOR	0.082uF 50V J
	C703	QCBB1HK-471Y	C CAPACITOR	470pF 50V K
	C704	QCBB1HK-471Y	C CAPACITOR	470pF 50V K
	C705	QCBB1HK-221Y	C CAPACITOR	220pF 50V K
	C706	QCBB1HK-221Y	C CAPACITOR	220pF 50V K
	C707	QETN1JM-476Z	E CAPACITOR	47uF 63V M
	C708	QETN1JM-476Z	E CAPACITOR	47uF 63V M
	C709	QCSB1HK-4R7Y	C CAPACITOR	4.7pF 50V K
	C710	QCSB1HK-4R7Y	C CAPACITOR	4.7pF 50V K
	C711	QFZ0212-104Z	M CAPACITOR	0.1uF
	C712	QFZ0212-104Z	M CAPACITOR	0.1uF
	C713	QFLC1HJ-104Z	M CAPACITOR	0.1uF 50V J
	C714	QFLC1HJ-104Z	M CAPACITOR	0.1uF 50V J
	C715	QFLC1HJ-104Z	M CAPACITOR	0.1uF 50V J
	C716	QFLC1HJ-104Z	M CAPACITOR	0.1uF 50V J
	C721	QTE1V06-106Z	E CAPACITOR	10uF 35V
	C722	QTE1V06-106Z	E CAPACITOR	10uF 35V
	C723	QETN1CM-107Z	E CAPACITOR	100uF 16V M
	C726	QETN1HM-106Z	E CAPACITOR	10uF 50V M
	C729	QETN1EM-476Z	E CAPACITOR	47uF 25V M
	C730	FQCF31HZ-223Z	D.CAPACITOR	
	C731	FQCF31HZ-223Z	D.CAPACITOR	
	C738	QETN1HM-106Z	E CAPACITOR	10uF 50V M
	C739	QETN1HM-105Z	E CAPACITOR	1uF 50V M
	C1000	QDGB1HK-102Y	C CAPACITOR	1000pF 50V K
	C1001	QCFB1HZ-105Y	C CAPACITOR	1uF 50V Z
	C1002	QCFB1HZ-105Y	C CAPACITOR	1uF 50V Z
	C1003	QCFB1HZ-105Y	C CAPACITOR	1uF 50V Z
	C1004	QETN1HM-105Z	E CAPACITOR	1uF 50V M
	C1005	QCFB1HZ-105Y	C CAPACITOR	1uF 50V Z
	C1006	QDYB1CM-103Y	C CAPACITOR	0.01uF 16V M
	C1007	QETN1HM-105Z	E CAPACITOR	1uF 50V M
	C1008	QCFB1HZ-104Y	C CAPACITOR	0.1uF 50V Z
	C1009	QETN1AM-477Z	E CAPACITOR	470uF 10V M
	C1010	QETN1HM-105Z	E CAPACITOR	1uF 50V M
	C1011	QCBB1HK-181Y	C CAPACITOR	180pF 50V K
	C1012	QCBB1HK-181Y	C CAPACITOR	180pF 50V K
	C1013	QETN1AM-477Z	E CAPACITOR	470uF 10V M
	C1014	QCBB1HK-181Y	C CAPACITOR	180pF 50V K
	C1015	QETN1AM-477Z	E CAPACITOR	470uF 10V M
	C1016	QETN1AM-477Z	E CAPACITOR	470uF 10V M
	C1017	QETN1AM-477Z	E CAPACITOR	470uF 10V M
	C1018	QCBB1HK-181Y	C CAPACITOR	180pF 50V K
	C1019	QCBB1HK-181Y	C CAPACITOR	180pF 50V K
	C1020	QCBB1HK-181Y	C CAPACITOR	180pF 50V K
△	R160	FQRL01DJ-820X	OMF RESISTOR	
△	R161	FQRL01DJ-820X	OMF RESISTOR	
△	R162	FQRL01DJ-820X	OMF RESISTOR	
	R165	QRE141J-153Y	C RESISTOR	15kΩ 1/4W J
	R166	QRE141J-153Y	C RESISTOR	15kΩ 1/4W J
△	R167	QRL01DJ-471X	OMF RESISTOR	470Ω 1W J
	R168	QRE141J-272Y	C RESISTOR	2.7kΩ 1/4W J
	R169	QRE141J-272Y	C RESISTOR	2.7kΩ 1/4W J
△	R177	QRL01DJ-471X	OMF RESISTOR	470Ω 1W J

△ Symbol No.	Part No.	Part Name	Description	Local	△ Symbol No.	Part No.	Part Name	Description	Local
R180	QRE141J-473Y	C RESISTOR	47kΩ 1/4W J		R1001	QRE141J-331Y	C RESISTOR	330Ω 1/4W J	
R181	QRE141J-103Y	C RESISTOR	10kΩ 1/4W J		R1002	QRE141J-331Y	C RESISTOR	330Ω 1/4W J	
R182	QRE141J-102Y	C RESISTOR	1kΩ 1/4W J		R1003	QRE141J-331Y	C RESISTOR	330Ω 1/4W J	
R190	QRE141J-472Y	C RESISTOR	4.7kΩ 1/4W J		R1004	QRE141J-331Y	C RESISTOR	330Ω 1/4W J	
R191	QRE141J-472Y	C RESISTOR	4.7kΩ 1/4W J		R1005	QRE141J-201Y	C RESISTOR	200Ω 1/4W J	
R192	QRE141J-472Y	C RESISTOR	4.7kΩ 1/4W J		R1006	QRE141J-121Y	C RESISTOR	120Ω 1/4W J	
R193	QRE141J-472Y	C RESISTOR	4.7kΩ 1/4W J		R1007	QRE141J-201Y	C RESISTOR	200Ω 1/4W J	
R195	QRE141J-222Y	C RESISTOR	2.2kΩ 1/4W J		R1008	QRE141J-121Y	C RESISTOR	120Ω 1/4W J	
R215	QRE141J-104Y	C RESISTOR	100kΩ 1/4W J		R1009	QRE141J-331Y	C RESISTOR	330Ω 1/4W J	
R216	QRE141J-104Y	C RESISTOR	100kΩ 1/4W J		R1010	QRE141J-331Y	C RESISTOR	330Ω 1/4W J	
R217	QRE141J-104Y	C RESISTOR	100kΩ 1/4W J		R1011	QRE141J-750Y	C RESISTOR	75Ω 1/4W J	
R218	QRE141J-104Y	C RESISTOR	100kΩ 1/4W J		R1012	QRE141J-750Y	C RESISTOR	75Ω 1/4W J	
R221	QRE141J-102Y	C RESISTOR	1kΩ 1/4W J		R1013	QRE141J-750Y	C RESISTOR	75Ω 1/4W J	
R222	QRE141J-102Y	C RESISTOR	1kΩ 1/4W J		R1014	QRE141J-750Y	C RESISTOR	75Ω 1/4W J	
R223	QRE141J-102Y	C RESISTOR	1kΩ 1/4W J		R1015	QRE141J-750Y	C RESISTOR	75Ω 1/4W J	
R224	QRE141J-681Y	C RESISTOR	680Ω 1/4W J		R1016	QRE141J-750Y	C RESISTOR	75Ω 1/4W J	
R225	QRE141J-472Y	C RESISTOR	4.7kΩ 1/4W J		L701	QQLZ035-R39	COIL	0.39uH	
R226	QRE141J-272Y	C RESISTOR	2.7kΩ 1/4W J		L702	QQLZ035-R39	COIL	0.39uH	
R227	QRE141J-681Y	C RESISTOR	680Ω 1/4W J		△ R230	QRZ9006-4R7X	F.RESISTOR	4.7Ω 1/4W J	
△ R230	QRZ9006-4R7X	F.RESISTOR	4.7Ω 1/4W J		R232	QRE141J-332Y	C RESISTOR	3.3kΩ 1/4W J	
R232	QRE141J-332Y	C RESISTOR	3.3kΩ 1/4W J		R233	QRE141J-242Y	C RESISTOR	2.4kΩ 1/4W J	
R233	QRE141J-242Y	C RESISTOR	2.4kΩ 1/4W J		R234	QRE141J-271Y	C RESISTOR	270Ω 1/4W J	
R234	QRE141J-271Y	C RESISTOR	270Ω 1/4W J		R235	QRE141J-100Y	C RESISTOR	10Ω 1/4W J	
R235	QRE141J-100Y	C RESISTOR	10Ω 1/4W J		R271	QRE141J-102Y	C RESISTOR	1kΩ 1/4W J	
R271	QRE141J-102Y	C RESISTOR	1kΩ 1/4W J		R681	QRE141J-153Y	C RESISTOR	15kΩ 1/4W J	
R681	QRE141J-153Y	C RESISTOR	15kΩ 1/4W J		R682	QRE141J-203Y	C RESISTOR	20kΩ 1/4W J	
R682	QRE141J-203Y	C RESISTOR	20kΩ 1/4W J		R683	QRE141J-473Y	C RESISTOR	47kΩ 1/4W J	
R683	QRE141J-473Y	C RESISTOR	47kΩ 1/4W J		R684	QRE141J-103Y	C RESISTOR	10kΩ 1/4W J	
R684	QRE141J-103Y	C RESISTOR	10kΩ 1/4W J		R685	QRE141J-475Y	C RESISTOR	4.7MΩ 1/4W J	
R685	QRE141J-475Y	C RESISTOR	4.7MΩ 1/4W J		R686	QRE141J-392Y	C RESISTOR	3.9kΩ 1/4W J	
R686	QRE141J-392Y	C RESISTOR	3.9kΩ 1/4W J		R687	QRE141J-105Y	C RESISTOR	10Ω 1/4W J	
R687	QRE141J-105Y	C RESISTOR	10Ω 1/4W J		△ R701	QRJ146J-470X	UNF C RESISTOR	47Ω 1/4W J	
△ R701	QRJ146J-470X	UNF C RESISTOR	47Ω 1/4W J		△ R702	QRJ146J-470X	UNF C RESISTOR	47Ω 1/4W J	
△ R702	QRJ146J-470X	UNF C RESISTOR	47Ω 1/4W J		R703	QRE141J-563Y	C RESISTOR	56kΩ 1/4W J	
R703	QRE141J-563Y	C RESISTOR	56kΩ 1/4W J		R704	QRE141J-563Y	C RESISTOR	56kΩ 1/4W J	
R704	QRE141J-563Y	C RESISTOR	56kΩ 1/4W J		△ R705	QRJ146J-821X	UNF C RESISTOR	820Ω 1/4W J	
△ R705	QRJ146J-821X	UNF C RESISTOR	820Ω 1/4W J		△ R706	QRJ146J-821X	UNF C RESISTOR	820Ω 1/4W J	
△ R706	QRJ146J-821X	UNF C RESISTOR	820Ω 1/4W J		R707	QRE141J-563Y	C RESISTOR	56kΩ 1/4W J	
R707	QRE141J-563Y	C RESISTOR	56kΩ 1/4W J		R708	QRE141J-563Y	C RESISTOR	56kΩ 1/4W J	
R708	QRE141J-563Y	C RESISTOR	56kΩ 1/4W J		△ R713	QRJ146J-100X	UNF C RESISTOR	10Ω 1/4W J	
△ R713	QRJ146J-100X	UNF C RESISTOR	10Ω 1/4W J		△ R714	QRJ146J-100X	UNF C RESISTOR	10Ω 1/4W J	
△ R714	QRJ146J-100X	UNF C RESISTOR	10Ω 1/4W J		△ R715	QRJ146J-100X	UNF C RESISTOR	10Ω 1/4W J	
△ R715	QRJ146J-100X	UNF C RESISTOR	10Ω 1/4W J		△ R716	QRJ146J-100X	UNF C RESISTOR	10Ω 1/4W J	
△ R716	QRJ146J-100X	UNF C RESISTOR	10Ω 1/4W J		R717	QRE141J-102Y	C RESISTOR	1kΩ 1/4W J	
R717	QRE141J-102Y	C RESISTOR	1kΩ 1/4W J		R718	QRE141J-102Y	C RESISTOR	1kΩ 1/4W J	
R718	QRE141J-102Y	C RESISTOR	1kΩ 1/4W J		R719	QRE141J-562Y	C RESISTOR	5.6kΩ 1/4W J	
R719	QRE141J-562Y	C RESISTOR	5.6kΩ 1/4W J		R720	QRE141J-562Y	C RESISTOR	5.6kΩ 1/4W J	
R720	QRE141J-562Y	C RESISTOR	5.6kΩ 1/4W J		R721	QRE141J-473Y	C RESISTOR	47kΩ 1/4W J	
R721	QRE141J-473Y	C RESISTOR	47kΩ 1/4W J		R722	QRE141J-473Y	C RESISTOR	47kΩ 1/4W J	
R722	QRE141J-473Y	C RESISTOR	47kΩ 1/4W J		R723	QRE141J-682Y	C RESISTOR	6.8kΩ 1/4W J	
R723	QRE141J-682Y	C RESISTOR	6.8kΩ 1/4W J		R724	QRE141J-682Y	C RESISTOR	6.8kΩ 1/4W J	
R724	QRE141J-682Y	C RESISTOR	6.8kΩ 1/4W J		R727	QRE141J-104Y	C RESISTOR	100kΩ 1/4W J	
R727	QRE141J-104Y	C RESISTOR	100kΩ 1/4W J		R728	QRE141J-103Y	C RESISTOR	10kΩ 1/4W J	
R728	QRE141J-103Y	C RESISTOR	10kΩ 1/4W J		R729	QRE141J-104Y	C RESISTOR	100kΩ 1/4W J	
R729	QRE141J-104Y	C RESISTOR	100kΩ 1/4W J		R730	QRE141J-103Y	C RESISTOR	10kΩ 1/4W J	
R730	QRE141J-103Y	C RESISTOR	10kΩ 1/4W J		R739	QRE141J-823Y	C RESISTOR	82kΩ 1/4W J	
R739	QRE141J-823Y	C RESISTOR	82kΩ 1/4W J		R740	QRE141J-104Y	C RESISTOR	100kΩ 1/4W J	
R740	QRE141J-104Y	C RESISTOR	100kΩ 1/4W J		R741	QRE141J-682Y	C RESISTOR	6.8kΩ 1/4W J	
R741	QRE141J-682Y	C RESISTOR	6.8kΩ 1/4W J		R742	QRE141J-682Y	C RESISTOR	6.8kΩ 1/4W J	
R742	QRE141J-682Y	C RESISTOR	6.8kΩ 1/4W J		R743	QRE141J-103Y	C RESISTOR	10kΩ 1/4W J	
R743	QRE141J-103Y	C RESISTOR	10kΩ 1/4W J		R744	QRE141J-104Y	C RESISTOR	100kΩ 1/4W J	
R744	QRE141J-104Y	C RESISTOR	100kΩ 1/4W J		R753	QRZ0224-R22	EMIT RESISTOR	0.22Ω	
R753	QRZ0224-R22	EMIT RESISTOR	0.22Ω		R754	QRZ0224-R22	EMIT RESISTOR	0.22Ω	
R754	QRZ0224-R22	EMIT RESISTOR	0.22Ω		R761	QRE141J-102Y	C RESISTOR	1kΩ 1/4W J	
R761	QRE141J-102Y	C RESISTOR	1kΩ 1/4W J		R762	QRE141J-102Y	C RESISTOR	1kΩ 1/4W J	
R762	QRE141J-102Y	C RESISTOR	1kΩ 1/4W J		R766	QRE141J-333Y	C RESISTOR	33kΩ 1/4W J	
R766	QRE141J-333Y	C RESISTOR	33kΩ 1/4W J		R768	QRE141J-104Y	C RESISTOR	100kΩ 1/4W J	
R768	QRE141J-104Y	C RESISTOR	100kΩ 1/4W J		R769	QRE141J-222Y	C RESISTOR	2.2kΩ 1/4W J	
R769	QRE141J-222Y	C RESISTOR	2.2kΩ 1/4W J		△ R774	QRJ146J-100X	UNF C RESISTOR	10Ω 1/4W J	
△ R774	QRJ146J-100X	UNF C RESISTOR	10Ω 1/4W J		R775	QRE141J-102Y	C RESISTOR	1kΩ 1/4W J	
R775	QRE141J-102Y	C RESISTOR	1kΩ 1/4W J		R776	QRE141J-102Y	C RESISTOR	1kΩ 1/4W J	
R776	QRE141J-102Y	C RESISTOR	1kΩ 1/4W J		R777	QRE141J-103Y	C RESISTOR	10kΩ 1/4W J	
R777	QRE141J-103Y	C RESISTOR	10kΩ 1/4W J		R778	QRE141J-103Y	C RESISTOR	10kΩ 1/4W J	
R778	QRE141J-103Y	C RESISTOR	10kΩ 1/4W J		R786	QRE141J-103Y	C RESISTOR	10kΩ 1/4W J	
R786	QRE141J-103Y	C RESISTOR	10kΩ 1/4W J		R787	QRE141J-103Y	C RESISTOR	10kΩ 1/4W J	
R787	QRE141J-103Y	C RESISTOR	10kΩ 1/4W J		R792	QRE141J-823Y	C RESISTOR	82kΩ 1/4W J	
R792	QRE141J-823Y	C RESISTOR	82kΩ 1/4W J		R793	QRE141J-823Y	C RESISTOR	82kΩ 1/4W J	
R793	QRE141J-823Y	C RESISTOR	82kΩ 1/4W J						

Input board

Block No. [0][2][0][0]

△ Symbol No.	Part No.	Part Name	Description	Local
IC300	HA12237F	IC		
IC410	LB1641	IC		
IC414	KTC3200/GL-T	TRANSISTOR		
IC420	PQ033EF02SZ	REGULATOR IC		
IC460	LC75342M-X	IC		
IC480	JCV8011-X	IC		
IC520	NJM4565M-WE	IC		UN,U S,U S,U
IC521	NJM4565M-WE	IC		UN,U S,U
IC550	NJM4565M-WE	IC		
IC801	BR24L01AF-W-X	IC		
IC810	UPD784217AGF533	IC		
IC815	SN74AHCT08NS-X	IC		
Q306	KRC107M-T	DIGI TRANSISTOR		
Q307	KRC107M-T	DIGI TRANSISTOR		
Q309	KTA1271/OY/-T	TRANSISTOR		
Q310	KTC3199/GL/-T	TRANSISTOR		
Q311	2SB562/C/-T	TRANSISTOR		
Q312	KTC3199/GL/-T	TRANSISTOR		
Q313	2SB562/C/-T	TRANSISTOR		
Q316	2SC2001/K/-T	TRANSISTOR		
Q320	2SC2001/K/-T	TRANSISTOR		

△ Symbol No.	Part No.	Part Name	Description	Local	△ Symbol No.	Part No.	Part Name	Description	Local
Q360	KRC103M-T	TRANSISTOR			C330	QETN1AM-227Z	E CAPACITOR	220uF 10V M	
Q362	KRA111M-T	DIGI TRANSISTOR			C331	QETN1HM-105Z	E CAPACITOR	1uF 50V M	
Q363	2SC3576-JVC-T	TRANSISTOR			C332	QETN1HM-106Z	E CAPACITOR	10uF 50V M	
Q364	2SC3576-JVC-T	TRANSISTOR			C334	NCS21HJ-821X	C CAPACITOR	820pF 50V J	
Q365	2SC3576-JVC-T	TRANSISTOR			C335	QCBB1HK-271Y	C CAPACITOR	270pF 50V K	
Q366	2SC3576-JVC-T	TRANSISTOR			C336	QCBB1HK-391Y	C CAPACITOR	390pF 50V K	
Q387	2SD601A/RS/-X	TRANSISTOR			C337	QETN1HM-225Z	E CAPACITOR	2.2uF 50V M	
Q388	2SD601A/RS/-X	TRANSISTOR			C338	QFLA1HJ-104Z	M CAPACITOR	0.1uF 50V J	
Q389	2SD601A/RS/-X	TRANSISTOR			C339	NCS21HJ-821X	C CAPACITOR	820pF 50V J	
Q390	2SD601A/RS/-X	TRANSISTOR			C340	QFLA1HJ-104Z	M CAPACITOR	0.1uF 50V J	
Q392	2SD601A/RS/-X	TRANSISTOR			C341	QCBB1HK-271Y	C CAPACITOR	270pF 50V K	
Q393	2SD601A/RS/-X	TRANSISTOR			C343	QCBB1HK-391Y	C CAPACITOR	390pF 50V K	
Q394	2SD601A/RS/-X	TRANSISTOR			C344	QETN1HM-225Z	E CAPACITOR	2.2uF 50V M	
Q410	UN2113-X	TRANSISTOR			C345	QFLA1HJ-104Z	M CAPACITOR	0.1uF 50V J	
Q415	UN2213-X	DIGI TRANSISTOR			C346	QFLA1HJ-104Z	M CAPACITOR	0.1uF 50V J	
Q417	UN2115-X	D.TRANSISTOR			C350	QCBB1HK-103Y	C CAPACITOR	0.01uF 50V K	
Q420	2SD1328/ST/-X	TRANSISTOR			C351	QCBB1HK-221Y	C CAPACITOR	220pF 50V K	
Q421	2SD1328/ST/-X	TRANSISTOR			C352	QETN1HM-476Z	E CAPACITOR	47uF 50V M	
Q480	KTC3199/GL/-T	TRANSISTOR			C353	QETN1HM-105Z	E CAPACITOR	1uF 50V M	
Q520	UN2113-X	TRANSISTOR		UN,U S,U UN,U S,U	C354	QETN1HM-476Z	E CAPACITOR	47uF 50V M	
Q521	2SD1328/ST/-X	TRANSISTOR			C355	QCBB1HK-221Y	C CAPACITOR	220pF 50V K	
Q550	2SD601A/RS/-X	TRANSISTOR			C356	QCBB1HK-103Y	C CAPACITOR	0.01uF 50V K	
Q551	2SD601A/RS/-X	TRANSISTOR			C357	NCS21HJ-821X	C CAPACITOR	820pF 50V J	
Q552	2SD601A/RS/-X	TRANSISTOR			C358	NCS21HJ-821X	C CAPACITOR	820pF 50V J	
Q585	UN2113-X	TRANSISTOR			C359	QETN1HM-475Z	E CAPACITOR	4.7uF 50V M	
Q586	2SD1328/ST/-X	TRANSISTOR			C367	QETN1HM-107Z	E CAPACITOR	100uF 50V M	
Q587	2SD1328/ST/-X	TRANSISTOR			C368	QDYB1CM-682Y	C CAPACITOR	6800pF 16V M	
Q801	UN2115-X	D.TRANSISTOR			C369	QDYB1CM-682Y	C CAPACITOR	6800pF 16V M	
Q802	UN2211-X	TRANSISTOR			C370	QETN1HM-475Z	E CAPACITOR	4.7uF 50V M	
Q806	UN2211-X	TRANSISTOR			C377	QETN1AM-477Z	E CAPACITOR	470uF 10V M	
Q880	2SD601A/RS/-X	TRANSISTOR			C397	QFVF1HJ-184Z	MF CAPACITOR	0.18uF 50V J	
D303	1SR139-400-T2	SI DIODE			C398	QETN1EM-476Z	E CAPACITOR	47uF 25V M	
D304	1SR139-400-T2	SI DIODE			C399	NCB31CK-823X	C CAPACITOR	0.082uF 16V K	
D374	1SS133-T2	DIODE			C406	QTE1V06-106Z	E CAPACITOR	10uF 35V	
D375	1N4003S-T5	SI DIODE			C407	QTE1V06-106Z	E CAPACITOR	10uF 35V	
D384	MTZJ3.9B-T2	Z DIODE			C408	NDC31HJ-101X	C CAPACITOR	100pF 50V J	
D385	MTZJ3.9B-T2	Z DIODE			C409	NDC31HJ-101X	C CAPACITOR	100pF 50V J	
D410	MTZJ5.6A-T2	Z DIODE			C411	NCB31HK-103X	C CAPACITOR	0.01uF 50V K	
D414	MTZJ6.2B-T2	Z DIODE			C412	NCF31CZ-104X	C CAPACITOR	0.1uF 16V Z	
D415	MTZJ5.6B-T2	Z DIODE			C413	QETN1AM-477Z	E CAPACITOR	470uF 10V M	
D420	MTZJ3.9B-T2	Z DIODE			C414	QFLC1HJ-103Z	M CAPACITOR	0.01uF 50V J	
D444	1N4003S-T5	SI DIODE			C415	NCB31HK-103X	C CAPACITOR	0.01uF 50V K	
D454	1SS133-T2	DIODE		UN,U S,U UN,U S,U	C420	QETN1HM-106Z	E CAPACITOR	10uF 50V M	
D455	1SS133-T2	DIODE			C421	QETN1HM-106Z	E CAPACITOR	10uF 50V M	
D551	1SS133-T2	DIODE			C436	QTE1V06-106Z	E CAPACITOR	10uF 35V	
D801	1SS244-T2	SI DIODE			C437	QTE1V06-106Z	E CAPACITOR	10uF 35V	
D802	1SS133-T2	DIODE			C445	QETN1HM-105Z	E CAPACITOR	1uF 50V M	
D803	1SS244-T2	SI DIODE			C446	NDC31HJ-470X	C CAPACITOR	47pF 50V J	
D804	MTZJ4.3B-T2	Z DIODE			C447	NDC31HJ-470X	C CAPACITOR	47pF 50V J	
D805	1SS133-T2	DIODE			C454	NCB31HK-221X	C CAPACITOR	220pF 50V K	UN,U S,U UN,U S,U
D806	1SS133-T2	DIODE			C455	NCB31HK-221X	C CAPACITOR	220pF 50V K	
D807	1SS133-T2	DIODE			C456	NCB31HK-102X	C CAPACITOR	1000pF 50V K	
D808	1N4003S-T5	SI DIODE			C460	NCB31HK-471X	C CAPACITOR	470pF 50V K	
D809	1SS133-T2	DIODE			C461	NCB31HK-471X	C CAPACITOR	470pF 50V K	
D815	1SS133-T2	DIODE			C462	QETN1HM-225Z	E CAPACITOR	2.2uF 50V M	
D862	1SS133-T2	DIODE			C463	QETN1HM-225Z	E CAPACITOR	2.2uF 50V M	
C300	QCSB1HK-4R7Y	C CAPACITOR	4.7pF 50V K		C464	QETN1HM-106Z	E CAPACITOR	10uF 50V M	
C301	QCSB1HK-4R7Y	C CAPACITOR	4.7pF 50V K		C465	QETN1HM-106Z	E CAPACITOR	10uF 50V M	
C303	QFLC1HJ-104Z	M CAPACITOR	0.1uF 50V J		C466	QETN1HM-106Z	E CAPACITOR	10uF 50V M	
C306	QETN1HM-226Z	E CAPACITOR	22uF 50V M		C467	QETN1HM-106Z	E CAPACITOR	10uF 50V M	
C307	QETN1HM-475Z	E CAPACITOR	4.7uF 50V M		C468	QTE1H28-106Z	E CAPACITOR	10uF 50V	
C309	QETN1CM-107Z	E CAPACITOR	100uF 16V M		C469	QTE1H28-106Z	E CAPACITOR	10uF 50V	
C311	QDYB1CM-103Y	C CAPACITOR	0.01uF 16V M		C470	QTE1H28-106Z	E CAPACITOR	10uF 50V	
C313	QDYB1CM-103Y	C CAPACITOR	0.01uF 16V M		C471	QTE1H28-106Z	E CAPACITOR	10uF 50V	
C314	QETN1CM-107Z	E CAPACITOR	100uF 16V M		C472	NCB31HK-272X	C CAPACITOR	2700pF 50V K	
C315	QDXB1CM-152Y	C CAPACITOR	1500pF 16V M		C473	NCB31HK-272X	C CAPACITOR	2700pF 50V K	
C318	QCBB1HK-223Y	C CAPACITOR	0.022uF 50V K		C474	NCB31CK-104X	C CAPACITOR	0.1uF 16V K	
C321	QCFB1HZ-105Y	C CAPACITOR	1uF 50V Z		C475	NCB31CK-104X	C CAPACITOR	0.1uF 16V K	
C322	QETN1CM-107Z	E CAPACITOR	100uF 16V M		C476	NCB31CK-104X	C CAPACITOR	0.1uF 16V K	
C323	QFVJ1HJ-223Z	MF CAPACITOR	0.022uF 50V J		C477	NCB31CK-104X	C CAPACITOR	0.1uF 16V K	
C324	QFLC1HJ-472Z	M CAPACITOR	4700pF 50V J		C478	NCB31HK-471X	C CAPACITOR	470pF 50V K	
C325	QCBB1HK-331Y	C CAPACITOR	330pF 50V K		C479	QTE1C28-107Z	E CAPACITOR	100uF 16V	
C326	QCBB1HK-331Y	C CAPACITOR	330pF 50V K		C480	QETN1HM-474Z	E CAPACITOR	0.47uF 50V M	
					C481	QETN1HM-224Z	E CAPACITOR	0.22uF 50V M	
					C482	QETN1EM-476Z	E CAPACITOR	47uF 25V M	
					C484	QETN1HM-106Z	E CAPACITOR	10uF 50V M	

△ Symbol No.	Part No.	Part Name	Description	Local	△ Symbol No.	Part No.	Part Name	Description	Local
C485	QTE1H28-106Z	E CAPACITOR	10uF 50V		R338	QRE141J-222Y	C RESISTOR	2.2kΩ 1/4W J	
C486	QTE1H28-106Z	E CAPACITOR	10uF 50V		R339	QRE141J-512Y	C RESISTOR	5.1kΩ 1/4W J	
C487	QETN1HM-475Z	E CAPACITOR	4.7uF 50V M		R340	QRE141J-512Y	C RESISTOR	5.1kΩ 1/4W J	
C488	QETN1HM-475Z	E CAPACITOR	4.7uF 50V M		R341	QRE141J-273Y	C RESISTOR	27kΩ 1/4W J	
C489	QETN1HM-106Z	E CAPACITOR	10uF 50V M		R343	QRE141J-273Y	C RESISTOR	27kΩ 1/4W J	
C490	QETN1HM-106Z	E CAPACITOR	10uF 50V M		R344	QRE141J-113Y	C RESISTOR	11kΩ 1/4W J	
C491	QETN1HM-475Z	E CAPACITOR	4.7uF 50V M		R345	QRE141J-222Y	C RESISTOR	2.2kΩ 1/4W J	
C492	QETN1HM-106Z	E CAPACITOR	10uF 50V M		R346	QRE141J-512Y	C RESISTOR	5.1kΩ 1/4W J	
C493	QETN1HM-106Z	E CAPACITOR	10uF 50V M		R347	QRE141J-512Y	C RESISTOR	5.1kΩ 1/4W J	
C496	QETN1EM-476Z	E CAPACITOR	47uF 25V M		R359	QRE141J-102Y	C RESISTOR	1kΩ 1/4W J	
C499	NCB31EK-273X	C CAPACITOR	0.027uF 25V K		R360	QRE141J-223Y	C RESISTOR	22kΩ 1/4W J	
C500	QETN1HM-225Z	E CAPACITOR	2.2uF 50V M		R361	QRE141J-222Y	C RESISTOR	2.2kΩ 1/4W J	
C501	QETN1HM-106Z	E CAPACITOR	10uF 50V M		R362	QRE141J-222Y	C RESISTOR	2.2kΩ 1/4W J	
C508	QETN1AM-337Z	E CAPACITOR	330uF 10V M		R363	QRE141J-472Y	C RESISTOR	4.7kΩ 1/4W J	
C526	QETN1HM-106Z	E CAPACITOR	10uF 50V M	UN,U S,UX	R364	QRE141J-472Y	C RESISTOR	4.7kΩ 1/4W J	
C527	NCB21EK-683X	C CAPACITOR	0.068uF 25V K	UN,U S,UX	R365	QRE141J-472Y	C RESISTOR	4.7kΩ 1/4W J	
C528	QETN1HM-225Z	E CAPACITOR	2.2uF 50V M	UN,U S,UX	R366	QRE141J-472Y	C RESISTOR	4.7kΩ 1/4W J	
C529	NCB31HK-271X	C CAPACITOR	270pF 50V K	UN,U S,UX	R367	QRE141J-221Y	C RESISTOR	220Ω 1/4W J	
C532	QETN1EM-476Z	E CAPACITOR	47uF 25V M	UN,U S,UX	R368	QRE141J-123Y	C RESISTOR	12kΩ 1/4W J	
C533	QETN1EM-476Z	E CAPACITOR	47uF 25V M	UN,U S,UX	R369	QRE141J-123Y	C RESISTOR	12kΩ 1/4W J	
C551	NCB31CK-823X	C CAPACITOR	0.082uF 16V K		R370	QRE141J-102Y	C RESISTOR	1kΩ 1/4W J	
C552	NCB31CK-823X	C CAPACITOR	0.082uF 16V K		R373	QRE141J-104Y	C RESISTOR	100kΩ 1/4W J	
C553	NCB31CK-823X	C CAPACITOR	0.082uF 16V K		R374	QRE141J-104Y	C RESISTOR	100kΩ 1/4W J	
C554	QETN1EM-476Z	E CAPACITOR	47uF 25V M		R377	QRE141J-102Y	C RESISTOR	1kΩ 1/4W J	
C555	QETN1HM-105Z	E CAPACITOR	1uF 50V M		R378	QRE141J-102Y	C RESISTOR	1kΩ 1/4W J	
C560	QETN1HM-476Z	E CAPACITOR	47uF 50V M		R379	QRE141J-102Y	C RESISTOR	1kΩ 1/4W J	
C587	QETN1HM-106Z	E CAPACITOR	10uF 50V M		R380	QRE141J-102Y	C RESISTOR	1kΩ 1/4W J	
C800	QETN1CM-107Z	E CAPACITOR	100uF 16V M		R383	NRSA63J-223X	MG RESISTOR	22kΩ 1/16W J	
C801	QETN1HM-475Z	E CAPACITOR	4.7uF 50V M		R384	NRSA63J-223X	MG RESISTOR	22kΩ 1/16W J	
C802	NCB31CK-224X	C CAPACITOR	0.22uF 16V K		R385	NRSA63J-243X	MG RESISTOR	24kΩ 1/16W J	
C803	NCB31CK-224X	C CAPACITOR	0.22uF 16V K		R386	NRSA63J-243X	MG RESISTOR	24kΩ 1/16W J	
C804	QETN1AM-477Z	E CAPACITOR	470uF 10V M		R387	NRSA63J-243X	MG RESISTOR	24kΩ 1/16W J	
C805	QETN1AM-227Z	E CAPACITOR	220uF 10V M		R388	NRSA63J-563X	MG RESISTOR	56kΩ 1/16W J	
C806	NCF21CZ-105X	C CAPACITOR	1uF 16V Z		R389	NRSA63J-243X	MG RESISTOR	24kΩ 1/16W J	
C807	NCB31HK-103X	C CAPACITOR	0.01uF 50V K		R390	NRSA63J-563X	MG RESISTOR	56kΩ 1/16W J	
C808	NDC31HJ-270X	C CAPACITOR	27pF 50V J		R391	NRSA63J-224X	MG RESISTOR	220kΩ 1/16W J	
C809	NDC31HJ-300X	C CAPACITOR	30pF 50V J		R392	NRSA63J-101X	MG RESISTOR	100Ω 1/16W J	
C810	NCB31CK-103X	C CAPACITOR	0.01uF 16V K		R393	NRSA63J-101X	MG RESISTOR	100Ω 1/16W J	
C811	NCB31CK-223X	C CAPACITOR	0.022uF 16V K		R394	NRSA63J-223X	MG RESISTOR	22kΩ 1/16W J	
C812	NCB31HK-221X	C CAPACITOR	220pF 50V K		R395	QRE141J-222Y	C RESISTOR	2.2kΩ 1/4W J	
C813	NCB31HK-221X	C CAPACITOR	220pF 50V K		R396	NRSA63J-123X	MG RESISTOR	12kΩ 1/16W J	
C814	QETN1CM-107Z	E CAPACITOR	100uF 16V M		R397	QRE141J-152Y	C RESISTOR	1.5kΩ 1/4W J	
C815	QETN1HM-106Z	E CAPACITOR	10uF 50V M		R398	NRSA63J-222X	MG RESISTOR	2.2kΩ 1/16W J	
C816	QDYB1CM-103Y	C CAPACITOR	0.01uF 16V M		R399	NRSA63J-244X	MG RESISTOR	240kΩ 1/16W J	
R300	QRE141J-223Y	C RESISTOR	22kΩ 1/4W J		R403	NRSA63J-122X	MG RESISTOR	1.2kΩ 1/16W J	
R301	QRE141J-103Y	C RESISTOR	10kΩ 1/4W J		R405	NRSA63J-222X	MG RESISTOR	2.2kΩ 1/16W J	
R302	QRE141J-273Y	C RESISTOR	27kΩ 1/4W J		R406	NRSA63J-222X	MG RESISTOR	2.2kΩ 1/16W J	
R303	QRE141J-243Y	C RESISTOR	24kΩ 1/4W J		R408	NRSA63J-222X	MG RESISTOR	2.2kΩ 1/16W J	
R304	QRE141J-103Y	C RESISTOR	10kΩ 1/4W J		R409	NRSA63J-122X	MG RESISTOR	1.2kΩ 1/16W J	
R305	QRE141J-393Y	C RESISTOR	39kΩ 1/4W J		R410	NRSA63J-562X	MG RESISTOR	5.6kΩ 1/16W J	
R306	QRE141J-103Y	C RESISTOR	10kΩ 1/4W J		R411	NRSA63J-122X	MG RESISTOR	1.2kΩ 1/16W J	
R307	QRE141J-332Y	C RESISTOR	3.3kΩ 1/4W J		R412	NRSA63J-122X	MG RESISTOR	1.2kΩ 1/16W J	
R309	QRE141J-102Y	C RESISTOR	1kΩ 1/4W J		R413	NRSA63J-682X	MG RESISTOR	6.8kΩ 1/16W J	
R310	QRE141J-472Y	C RESISTOR	4.7kΩ 1/4W J		R430	QRZ9006-4R7X	F.RESISTOR	4.7Ω 1/4W J	
R311	QRE141J-151Y	C RESISTOR	150Ω 1/4W J		R451	NRSA63J-472X	MG RESISTOR	4.7kΩ 1/16W J	
R312	QRE141J-472Y	C RESISTOR	4.7kΩ 1/4W J		R452	NRSA63J-472X	MG RESISTOR	4.7kΩ 1/16W J	
R313	QRE141J-151Y	C RESISTOR	150Ω 1/4W J		R462	NRSA63J-823X	MG RESISTOR	82kΩ 1/16W J	UN,U S,UX
R315	QRE141J-153Y	C RESISTOR	15kΩ 1/4W J		R463	NRSA63J-823X	MG RESISTOR	82kΩ 1/16W J	UN,U S,UX
R316	QRE141J-101Y	C RESISTOR	100Ω 1/4W J		R464	NRSA63J-102X	MG RESISTOR	1kΩ 1/16W J	
△ R317	QRZ9005-100X	FUSI RESISTOR	10Ω		R465	NRSA63J-102X	MG RESISTOR	1kΩ 1/16W J	
R318	QRE141J-2R2Y	C RESISTOR	2.2Ω 1/4W J		R466	NRSA63J-472X	MG RESISTOR	4.7kΩ 1/16W J	
△ R319	QRJ146J-4R7X	UNF C RESISTOR	4.7Ω 1/4W J		R467	NRSA63J-103X	MG RESISTOR	10kΩ 1/16W J	
R320	QRE141J-222Y	C RESISTOR	2.2kΩ 1/4W J		R468	NRSA63J-472X	MG RESISTOR	4.7kΩ 1/16W J	
R324	QRE141J-474Y	C RESISTOR	470kΩ 1/4W J		R469	NRSA63J-103X	MG RESISTOR	10kΩ 1/16W J	
R325	QRE141J-153Y	C RESISTOR	15kΩ 1/4W J		R480	NRSA63J-153X	MG RESISTOR	15kΩ 1/16W J	
R326	QRE141J-153Y	C RESISTOR	15kΩ 1/4W J		R481	NRSA63J-153X	MG RESISTOR	15kΩ 1/16W J	
R330	QRE141J-101Y	C RESISTOR	100Ω 1/4W J		R482	NRSA63J-203X	MG RESISTOR	20kΩ 1/16W J	
R332	QRE141J-104Y	C RESISTOR	100kΩ 1/4W J		R483	NRSA63J-203X	MG RESISTOR	20kΩ 1/16W J	
R333	QRE141J-223Y	C RESISTOR	22kΩ 1/4W J		R484	NRSA63J-362X	MG RESISTOR	3.6kΩ 1/16W J	
R335	QRE141J-273Y	C RESISTOR	27kΩ 1/4W J		R485	NRSA63J-362X	MG RESISTOR	3.6kΩ 1/16W J	
R336	QRE141J-273Y	C RESISTOR	27kΩ 1/4W J		R486	NRSA63J-102X	MG RESISTOR	1kΩ 1/16W J	
R337	QRE141J-113Y	C RESISTOR	11kΩ 1/4W J		R487	NRSA63J-102X	MG RESISTOR	1kΩ 1/16W J	
					R488	NRSA63J-102X	MG RESISTOR	1kΩ 1/16W J	
					R489	NRSA63J-103X	MG RESISTOR	10kΩ 1/16W J	
					R490	NRSA63J-103X	MG RESISTOR	10kΩ 1/16W J	
					R491	NRSA63J-472X	MG RESISTOR	4.7kΩ 1/16W J	

△ Symbol No.	Part No.	Part Name	Description	Local	△ Symbol No.	Part No.	Part Name	Description	Local
R492	NRSA63J-472X	MG RESISTOR	4.7kΩ 1/16W J		R822	NRSA63J-102X	MG RESISTOR	1kΩ 1/16W J	
R493	NRSA63J-103X	MG RESISTOR	10kΩ 1/16W J		R823	NRSA63J-103X	MG RESISTOR	10kΩ 1/16W J	
R494	NRSA63J-622X	MG RESISTOR	6.2kΩ 1/16W J		R824	NRSA63J-102X	MG RESISTOR	1kΩ 1/16W J	
R495	NRSA63J-622X	MG RESISTOR	6.2kΩ 1/16W J		R825	NRSA63J-103X	MG RESISTOR	10kΩ 1/16W J	
R496	NRSA63J-472X	MG RESISTOR	4.7kΩ 1/16W J		R826	NRSA63J-103X	MG RESISTOR	10kΩ 1/16W J	
R497	NRSA63J-562X	MG RESISTOR	5.6kΩ 1/16W J		R827	NRSA63J-102X	MG RESISTOR	1kΩ 1/16W J	
R498	NRSA63J-104X	MG RESISTOR	100kΩ 1/16W J		R828	NRSA63J-102X	MG RESISTOR	1kΩ 1/16W J	
R500	NRSA63J-474X	MG RESISTOR	470kΩ 1/16W J		R829	NRSA63J-101X	MG RESISTOR	100Ω 1/16W J	
R501	NRSA63J-474X	MG RESISTOR	470kΩ 1/16W J		R830	NRSA63J-103X	MG RESISTOR	10kΩ 1/16W J	
R502	NRSA63J-101X	MG RESISTOR	100Ω 1/16W J		R831	NRSA63J-101X	MG RESISTOR	100Ω 1/16W J	
R503	NRSA63J-225X	MG RESISTOR	2.2MΩ 1/16W J		R832	NRSA63J-102X	MG RESISTOR	1kΩ 1/16W J	
R504	NRSA63J-153X	MG RESISTOR	15kΩ 1/16W J		R833	NRSA63J-103X	MG RESISTOR	10kΩ 1/16W J	
R520	NRSA63J-102X	MG RESISTOR	1kΩ 1/16W J	UN,U S,UX	R834	NRSA63J-102X	MG RESISTOR	1kΩ 1/16W J	
R521	NRSA63J-473X	MG RESISTOR	47kΩ 1/16W J	UN,U S,UX	R835	NRSA63J-102X	MG RESISTOR	1kΩ 1/16W J	
R522	NRSA63J-682X	MG RESISTOR	6.8kΩ 1/16W J	UN,U S,UX	R836	NRSA63J-102X	MG RESISTOR	1kΩ 1/16W J	
R523	NRSA63J-473X	MG RESISTOR	47kΩ 1/16W J	UN,U S,UX	R837	NRSA63J-102X	MG RESISTOR	1kΩ 1/16W J	
R524	NRSA63J-103X	MG RESISTOR	10kΩ 1/16W J	UN,U S,UX	R838	NRSA63J-102X	MG RESISTOR	1kΩ 1/16W J	
R525	NRSA63J-103X	MG RESISTOR	10kΩ 1/16W J	UN,U S,UX	R839	NRSA63J-102X	MG RESISTOR	1kΩ 1/16W J	
R526	NRSA63J-103X	MG RESISTOR	10kΩ 1/16W J	UN,U S,UX	R840	NRSA63J-102X	MG RESISTOR	1kΩ 1/16W J	
R527	NRSA63J-103X	MG RESISTOR	10kΩ 1/16W J	UN,U S,UX	R841	NRSA63J-103X	MG RESISTOR	10kΩ 1/16W J	
R528	NRSA63J-103X	MG RESISTOR	10kΩ 1/16W J	UN,U S,UX	R842	NRSA63J-102X	MG RESISTOR	1kΩ 1/16W J	
R529	NRSA63J-103X	MG RESISTOR	10kΩ 1/16W J	UN,U S,UX	R843	NRSA63J-102X	MG RESISTOR	1kΩ 1/16W J	
R530	NRSA63J-103X	MG RESISTOR	10kΩ 1/16W J	UN,U S,UX	R844	NRSA63J-102X	MG RESISTOR	1kΩ 1/16W J	
R531	NRSA63J-103X	MG RESISTOR	10kΩ 1/16W J	UN,U S,UX	R845	NRSA63J-102X	MG RESISTOR	1kΩ 1/16W J	
R533	NRSA63J-103X	MG RESISTOR	10kΩ 1/16W J	UN,U S,UX	R846	NRSA63J-102X	MG RESISTOR	1kΩ 1/16W J	
R551	NRSA63J-183X	MG RESISTOR	18kΩ 1/16W J	UN,U S,UX	R847	NRSA63J-103X	MG RESISTOR	10kΩ 1/16W J	
R552	NRSA63J-183X	MG RESISTOR	18kΩ 1/16W J	UN,U S,UX	R850	NRSA63J-102X	MG RESISTOR	1kΩ 1/16W J	
R553	NRSA63J-132X	MG RESISTOR	1.3kΩ 1/16W J		R853	NRSA63J-103X	MG RESISTOR	10kΩ 1/16W J	
R555	NRSA63J-224X	MG RESISTOR	220kΩ 1/16W J		R854	NRSA63J-102X	MG RESISTOR	1kΩ 1/16W J	
R557	QRE141J-152Y	C RESISTOR	1.5kΩ 1/4W J		R857	NRSA63J-102X	MG RESISTOR	1kΩ 1/16W J	
R558	QRE141J-222Y	C RESISTOR	2.2kΩ 1/4W J		R858	NRSA63J-102X	MG RESISTOR	1kΩ 1/16W J	
R559	NRSA63J-123X	MG RESISTOR	12kΩ 1/16W J		R860	NRSA63J-102X	MG RESISTOR	1kΩ 1/16W J	
R560	NRSA63J-223X	MG RESISTOR	22kΩ 1/16W J		R861	NRSA63J-102X	MG RESISTOR	1kΩ 1/16W J	
R562	NRSA63J-101X	MG RESISTOR	100Ω 1/16W J		R862	NRSA63J-102X	MG RESISTOR	1kΩ 1/16W J	
R563	NRSA63J-101X	MG RESISTOR	100Ω 1/16W J		R863	NRSA63J-102X	MG RESISTOR	1kΩ 1/16W J	
R564	NRSA63J-224X	MG RESISTOR	220kΩ 1/16W J		R864	NRSA63J-102X	MG RESISTOR	1kΩ 1/16W J	
R566	NRSA63J-274X	MG RESISTOR	270kΩ 1/16W J		R865	NRSA63J-102X	MG RESISTOR	1kΩ 1/16W J	
R571	NRSA63J-302X	MG RESISTOR	3kΩ 1/16W J		R866	NRSA63J-102X	MG RESISTOR	1kΩ 1/16W J	
R583	QRE141J-682Y	C RESISTOR	6.8kΩ 1/4W J		R867	NRSA63J-102X	MG RESISTOR	1kΩ 1/16W J	
R584	QRE141J-682Y	C RESISTOR	6.8kΩ 1/4W J		R868	NRSA63J-103X	MG RESISTOR	10kΩ 1/16W J	
R585	NRSA63J-103X	MG RESISTOR	10kΩ 1/16W J		R869	NRSA63J-103X	MG RESISTOR	10kΩ 1/16W J	
R586	NRSA63J-103X	MG RESISTOR	10kΩ 1/16W J		R871	NRSA63J-102X	MG RESISTOR	1kΩ 1/16W J	
R587	NRSA63J-102X	MG RESISTOR	1kΩ 1/16W J		R872	NRSA63J-102X	MG RESISTOR	1kΩ 1/16W J	
R588	QRE141J-752Y	C RESISTOR	7.5kΩ 1/4W J		R873	NRSA63J-102X	MG RESISTOR	1kΩ 1/16W J	
R589	QRE141J-752Y	C RESISTOR	7.5kΩ 1/4W J		R874	NRSA63J-102X	MG RESISTOR	1kΩ 1/16W J	
R800	NRSA63J-102X	MG RESISTOR	1kΩ 1/16W J		R876	NRSA63J-102X	MG RESISTOR	1kΩ 1/16W J	
R801	NRSA63J-102X	MG RESISTOR	1kΩ 1/16W J		R877	NRSA63J-102X	MG RESISTOR	1kΩ 1/16W J	
R802	NRSA63J-222X	MG RESISTOR	2.2kΩ 1/16W J		R878	NRSA63J-102X	MG RESISTOR	1kΩ 1/16W J	
R803	NRSA63J-102X	MG RESISTOR	1kΩ 1/16W J		R879	NRSA63J-102X	MG RESISTOR	1kΩ 1/16W J	
R804	NRSA63J-103X	MG RESISTOR	10kΩ 1/16W J		R880	NRSA63J-102X	MG RESISTOR	1kΩ 1/16W J	
R805	NRSA63J-331X	MG RESISTOR	330Ω 1/16W J		R882	NRSA63J-104X	MG RESISTOR	100kΩ 1/16W J	
R806	NRSA63J-221X	MG RESISTOR	220Ω 1/16W J		R883	NRSA63J-470X	MG RESISTOR	47Ω 1/16W J	
R807	NRSA63J-471X	MG RESISTOR	470Ω 1/16W J		R884	NRSA63J-102X	MG RESISTOR	1kΩ 1/16W J	
R810	NRSA63J-102X	MG RESISTOR	1kΩ 1/16W J		R885	NRSA63J-102X	MG RESISTOR	1kΩ 1/16W J	
R811	NRSA63J-102X	MG RESISTOR	1kΩ 1/16W J		R886	NRSA63J-102X	MG RESISTOR	1kΩ 1/16W J	
R812	NRSA63J-102X	MG RESISTOR	1kΩ 1/16W J		R887	NRSA63J-102X	MG RESISTOR	1kΩ 1/16W J	
R813	NRSA63J-102X	MG RESISTOR	1kΩ 1/16W J		R888	NRSA63J-102X	MG RESISTOR	1kΩ 1/16W J	
R814	NRSA63J-102X	MG RESISTOR	1kΩ 1/16W J		R889	NRSA63J-102X	MG RESISTOR	1kΩ 1/16W J	
R815	NRSA63J-102X	MG RESISTOR	1kΩ 1/16W J		R890	NRSA63J-102X	MG RESISTOR	1kΩ 1/16W J	
R816	NRSA63J-102X	MG RESISTOR	1kΩ 1/16W J		R891	NRSA63J-102X	MG RESISTOR	1kΩ 1/16W J	
R817	NRSA63J-102X	MG RESISTOR	1kΩ 1/16W J		R892	NRSA63J-102X	MG RESISTOR	1kΩ 1/16W J	UN,U S,UX
R818	NRSA63J-102X	MG RESISTOR	1kΩ 1/16W J		R893	NRSA63J-102X	MG RESISTOR	1kΩ 1/16W J	UN,U S,UX
R819	NRSA63J-472X	MG RESISTOR	4.7kΩ 1/16W J		R894	NRSA63J-102X	MG RESISTOR	1kΩ 1/16W J	
R820	NRSA63J-102X	MG RESISTOR	1kΩ 1/16W J		R895	NRSA63J-102X	MG RESISTOR	1kΩ 1/16W J	
R821	NRSA63J-472X	MG RESISTOR	4.7kΩ 1/16W J		R896	NRSA63J-103X	MG RESISTOR	10kΩ 1/16W J	
					R897	NRSA63J-102X	MG RESISTOR	1kΩ 1/16W J	
					R898	NRSA63J-102X	MG RESISTOR	1kΩ 1/16W J	
					R899	NRSA63J-101X	MG RESISTOR	100Ω 1/16W J	
					R900	NRSA63J-472X	MG RESISTOR	4.7kΩ 1/16W J	
					R901	NRSA63J-102X	MG RESISTOR	1kΩ 1/16W J	
					R902	NRSA63J-103X	MG RESISTOR	10kΩ 1/16W J	
					R903	NRSA63J-102X	MG RESISTOR	1kΩ 1/16W J	
					R904	NRSA63J-103X	MG RESISTOR	10kΩ 1/16W J	
					R905	NRSA63J-102X	MG RESISTOR	1kΩ 1/16W J	
					R906	NRSA63J-103X	MG RESISTOR	10kΩ 1/16W J	
					R907	NRSA63J-102X	MG RESISTOR	1kΩ 1/16W J	

Symbol No.	Part No.	Part Name	Description	Local	Symbol No.	Part No.	Part Name	Description	Local
R908	NRSA63J-103X	MG RESISTOR	10kΩ 1/16W J		D992	1SS133-T2	DIODE		UN,U
VR320	QVP0004-203Z	TRIM RESISTOR	20kΩ		D994	MTZJ2.4B-T2	Z DIODE		S,UX
L317	QLL244K-100Z	COIL	10uH K		Δ D2010	1N5402M-20	DIODE		
L320	QQR1118-002	OSC COIL(BIAS)			Δ D2011	1N5402M-20	DIODE		
L812	QLL231K-2R2Y	COIL	2.2uH K		Δ D2012	1N5402M-20	DIODE		
L813	QLL231K-2R2Y	COIL	2.2uH K		Δ D2013	1N5402M-20	DIODE		
CN11	QGF1036C1-05	CONNECTOR	FFC/FPC (1-5)		D2015	1N4003S-T5	SI DIODE		
CN21	QGF1205C1-11	CONNECTOR	FFC/FPC (1-11)		D2016	1N4003S-T5	SI DIODE		
CN211	QGB2510K1-09	CONNECTOR	B-B (1-9)		D2017	1N4003S-T5	SI DIODE		
CN216	QGB2510J1-11	CONNECTOR	B-B (1-11)		D2018	MTZJ20B-T2	Z DIODE		
CN220	QGD2504C1-03Z	CONNECTOR	(1-3)		D2019	MTZJ18B-T2	Z DIODE		
CN221	QGD2504C1-03Z	CONNECTOR	(1-3)		D2020	MTZJ6.8B-T2	Z DIODE		
CN301	QGA2001C1-07	CONNECTOR	W-B (1-7)		C903	QDGB1HK-102Y	C CAPACITOR	1000pF 50V K	
CN302	QGA2001C1-03	CONNECTOR	W-B (1-3)		C904	QDGB1HK-102Y	C CAPACITOR	1000pF 50V K	
CN303	QGF1205C1-13	CONNECTOR	FFC/FPC (1-13)		C905	QCBB1HK-103Y	C CAPACITOR	0.01uF 50V K	
CN410	QGF1205C1-12	CONNECTOR	FFC/FPC (1-12)		C920	QDYB1CM-103Y	C CAPACITOR	0.01uF 16V M	
CN511	QGF1036C1-19	CONNECTOR	FFC/FPC (1-19)		C921	QDYB1CM-103Y	C CAPACITOR	0.01uF 16V M	
CN513	QGF1036C1-17	CONNECTOR	FFC/FPC (1-17)		C922	QK1AM-107Z	E CAPACITOR	100uF 10V M	
CN800	QGF1205F1-07	CONNECTOR	FFC/FPC (1-7)		C923	QCBB1HK-104Y	C CAPACITOR	0.1uF 50V K	
CN860	QGF1205C1-17	CONNECTOR	FFC/FPC (1-17)		C924	QK1HM-226Z	E CAPACITOR	22uF 50V M	
CN880	QGF1205C1-12	CONNECTOR	FFC/FPC (1-12)		C925	QETN1HM-226Z	E CAPACITOR	22uF 50V M	
HS420	LE40505-001A	HEAT SINK			C926	QCFB1HZ-104Y	C CAPACITOR	0.1uF 50V Z	
J454	QNN0420-001	SURROUND JACK		UN,U	C930	QETN1HM-106Z	E CAPACITOR	10uF 50V M	
J812	QNS0089-001	3.5 JACK		S,UX	C931	QDGB1HK-102Y	C CAPACITOR	1000pF 50V K	
J814	GP1FA553TZ	OPT TRANSMITTER			C957	QCBB1HK-222Y	C CAPACITOR	2200pF 50V K	UE
PP301	QZW0038-001	WIRE CLAMP			C958	QCBB1HK-221Y	C CAPACITOR	220pF 50V K	UE
TW400	QUB230-06A4A4	WIRE			C959	QCBB1HK-221Y	C CAPACITOR	220pF 50V K	UE
X801	QAX0724-001Z	CRYSTAL	12.000000MHz		C970	QCBB1HK-101Y	C CAPACITOR	100pF 50V K	UN,U

Front board

Block No. [0][3][0][0]

Symbol No.	Part No.	Part Name	Description	Local	Symbol No.	Part No.	Part Name	Description	Local
IC900	SN74HCU04N	FL DRIVER			C971	QCFB1HZ-104Y	C CAPACITOR	0.1uF 50V Z	UN,U
IC920	PT6305	FL DRIVER			C972	QETN1CM-107Z	E CAPACITOR	100uF 16V M	S,UX
IC930	GP1UM281XK	IR DETECT UNIT	38kHz		C973	QDYB1CM-103Y	C CAPACITOR	0.01uF 16V M	UN,U
IC970	BU9253AS	IC		UN,U	C974	QDXB1CM-472Y	C CAPACITOR	4700pF 16V M	S,UX
IC971	RC4580IP	IC		UN,U	C975	QDYB1CM-103Y	C CAPACITOR	0.01uF 16V M	UN,U
Q933	KRC102M-T	DIGI TRANSISTOR		S,UX	C976	QK1CM-226Z	E CAPACITOR	22uF 16V M	S,UX
Q934	KRC102M-T	DIGI TRANSISTOR		UN,U	C977	QK1HM-474Z	E CAPACITOR	0.47uF 50V M	S,UX
Q935	KRC102M-T	DIGI TRANSISTOR		S,UX	C978	QDXB1CM-332Y	C CAPACITOR	3300pF 16V M	UN,U
Q936	KRC102M-T	DIGI TRANSISTOR		UN,U	C979	QETN1HM-225Z	E CAPACITOR	2.2uF 50V M	S,UX
Q937	KRC102M-T	DIGI TRANSISTOR		S,UX	C980	QK1HM-475Z	E CAPACITOR	4.7uF 50V M	UN,U
Q938	KRC102M-T	DIGI TRANSISTOR		S,UX	C981	QK1HM-224Z	E CAPACITOR	0.22uF 50V M	S,UX
Q980	KRA111M-T	DIGI TRANSISTOR		UN,U	C982	QETN1HM-225Z	E CAPACITOR	2.2uF 50V M	UN,U
Q981	KRA111M-T	DIGI TRANSISTOR		S,UX	C983	QCBB1HK-151Y	C CAPACITOR	150pF 50V K	S,UX
Q982	KRA111M-T	DIGI TRANSISTOR		UN,U	C984	QCBB1HK-331Y	C CAPACITOR	330pF 50V K	UN,U
Q987	2SC3576-JVC-T	TRANSISTOR		S,UX	C985	QCBB1HK-151Y	C CAPACITOR	150pF 50V K	UN,U
Δ Q2010	KTC2026/OY/	TRANSISTOR		UN,U	C986	QETN1HM-475Z	E CAPACITOR	4.7uF 50V M	S,UX
Q2011	KTC3199/GLJ-T	TRANSISTOR		S,UX	C987	QETN1CM-107Z	E CAPACITOR	100uF 16V M	UN,U
D925	SLA-362LT-T	LED			C988	QK1AM-227Z	E CAPACITOR	220uF 10V M	S,UX
D933	SLA-362LT-T	LED			C989	QDGB1HK-102Y	C CAPACITOR	1000pF 50V K	UN,U
D934	SLA-362LT-T	LED			C990	QDGB1HK-102Y	C CAPACITOR	1000pF 50V K	S,UX
D935	SLA-362LT-T	LED			C991	QDGB1HK-102Y	C CAPACITOR	1000pF 50V K	UN,U
D936	SLA-362LT-T	LED			C992	QDYB1CM-103Y	C CAPACITOR	0.01uF 16V M	S,UX
D937	SLA-362LT-T	LED			C993	QDYB1CM-103Y	C CAPACITOR	0.01uF 16V M	UN,U
D938	SLA-362LT-T	LED			C994	QDXB1CM-222Y	C CAPACITOR	2200pF 16V M	S,UX
D957	1SS133-T2	DIODE		UE	C995	QDGB1HK-102Y	C CAPACITOR	1000pF 50V K	UN,U
D958	1SS133-T2	DIODE		UE	C996	QDGB1HK-102Y	C CAPACITOR	1000pF 50V K	S,UX
D971	MTZJ5.1B-T2	Z DIODE		UN,U	C997	QDGB1HK-102Y	C CAPACITOR	1000pF 50V K	UN,U
D991	MTZJ2.4B-T2	Z DIODE		S,UX					

△ Symbol No.	Part No.	Part Name	Description	Local	△ Symbol No.	Part No.	Part Name	Description	Local
C998	QDXB1CM-392Y	C CAPACITOR	3900pF 16V M		R981	QRE141J-103Y	C RESISTOR	10kΩ 1/4W J	UN,U S,U,X
C999	QDXB1CM-392Y	C CAPACITOR	3900pF 16V M		R982	QRE141J-472Y	C RESISTOR	4.7kΩ 1/4W J	UN,U S,U,X
C2010	QETN1JM-107Z	E CAPACITOR	100uF 63V M		R983	QRE141J-472Y	C RESISTOR	4.7kΩ 1/4W J	UN,U S,U,X
C2011	QETM2CM-226	E CAPACITOR	22uF 160V M		R984	QRE141J-153Y	C RESISTOR	15kΩ 1/4W J	UN,U S,U,X
C2012	QETN1HM-226Z	E CAPACITOR	22uF 50V M		R985	QRE141J-472Y	C RESISTOR	4.7kΩ 1/4W J	UN,U S,U,X
C2013	QETN1HM-226Z	E CAPACITOR	22uF 50V M		R986	QRE141J-102Y	C RESISTOR	1kΩ 1/4W J	UN,U S,U,X
C2014	QDYB1CM-103Y	C CAPACITOR	0.01uF 16V M		R987	QRE141J-561Y	C RESISTOR	560Ω 1/4W J	UN,U S,U,X
C2015	QETN1HM-106Z	E CAPACITOR	10uF 50V M		R988	QRE141J-203Y	C RESISTOR	20kΩ 1/4W J	UN,U S,U,X
C2017	QCFB1HZ-104Y	C CAPACITOR	0.1uF 50V Z		R989	QRE141J-510Y	C RESISTOR	51Ω 1/4W J	UN,U S,U,X
C2018	QCFB1HZ-104Y	C CAPACITOR	0.1uF 50V Z		R990	QRE141J-475Y	C RESISTOR	4.7MΩ 1/4W J	UN,U S,U,X
R920	QRE141J-101Y	C RESISTOR	100Ω 1/4W J	UN,U S	R991	QRE141J-101Y	C RESISTOR	100Ω 1/4W J	UN,U S,U,X
R920	QRE141J-201Y	C RESISTOR	200Ω 1/4W J	UE,U X	R992	QRE141J-152Y	C RESISTOR	1.5kΩ 1/4W J	UN,U S,U,X
R921	QRE141J-121Y	C RESISTOR	120Ω 1/4W J	UE	R993	QRE141J-391Y	C RESISTOR	390Ω 1/4W J	UN,U S,U,X
R924	QRE141J-221Y	C RESISTOR	220Ω 1/4W J		R994	QRE141J-123Y	C RESISTOR	12kΩ 1/4W J	UN,U S,U,X
R926	QRE141J-102Y	C RESISTOR	1kΩ 1/4W J		R995	QRE141J-103Y	C RESISTOR	10kΩ 1/4W J	UN,U S,U,X
R927	QRE141J-102Y	C RESISTOR	1kΩ 1/4W J		R996	QRE141J-472Y	C RESISTOR	4.7kΩ 1/4W J	UN,U S,U,X
R928	QRE141J-102Y	C RESISTOR	1kΩ 1/4W J		R997	QRE141J-472Y	C RESISTOR	4.7kΩ 1/4W J	UN,U S,U,X
R929	QRE141J-103Y	C RESISTOR	10kΩ 1/4W J		R998	QRE141J-472Y	C RESISTOR	4.7kΩ 1/4W J	UN,U S,U,X
R930	QRE141J-102Y	C RESISTOR	1kΩ 1/4W J		R999	QRE141J-152Y	C RESISTOR	1.5kΩ 1/4W J	UN,U S,U,X
R933	QRE141J-221Y	C RESISTOR	220Ω 1/4W J		△ R2010	QRJ146J-4R7X	UNF C RESISTOR	4.7Ω 1/4W J	
R934	QRE141J-221Y	C RESISTOR	220Ω 1/4W J		R2011	FQRK123J-153X	C RESISTOR		
R935	QRE141J-221Y	C RESISTOR	220Ω 1/4W J		R2012	QRE141J-103Y	C RESISTOR	10kΩ 1/4W J	
R936	QRE141J-221Y	C RESISTOR	220Ω 1/4W J		△ R2014	ERX12SJR33E	UNF C RESISTOR		
R937	QRE141J-221Y	C RESISTOR	220Ω 1/4W J		VR970	QVQ0299-B54	V RESISTOR		UN,U S,U,X
R938	QRE141J-221Y	C RESISTOR	220Ω 1/4W J		L995	QQL231K-2R2Y	COIL	2.2uH K	
R940	QRE141J-101Y	C RESISTOR	100Ω 1/4W J		L996	QQL231K-470Y	COIL	47uH K	
R941	QRE141J-101Y	C RESISTOR	100Ω 1/4W J		L997	QQL231K-470Y	COIL	47uH K	
R942	QRE141J-121Y	C RESISTOR	120Ω 1/4W J		L998	QQR1183-001Z	FERRITE BEADS		
R943	QRE141J-151Y	C RESISTOR	150Ω 1/4W J		CN101	QGD2504C1-03Z	CONNECTOR	(1-3)	
R944	QRE141J-221Y	C RESISTOR	220Ω 1/4W J		CN119	QGA3901F1-08	CONNECTOR	W-B (1-8)	
R945	QRE141J-271Y	C RESISTOR	270Ω 1/4W J		CN250	QGA7901C1-02	CONNECTOR	W-B (1-2)	
R946	QRE141J-391Y	C RESISTOR	390Ω 1/4W J		CN870	QGF1205C1-17	CONNECTOR	FFC/FPC (1-17)	
R947	QRE141J-561Y	C RESISTOR	560Ω 1/4W J		CN890	QGF1205F1-12	CONNECTOR	FFC/FPC (1-12)	
R948	QRE141J-102Y	C RESISTOR	1kΩ 1/4W J		FT111	QNG0003-001Z	FUSE CLIP		
R949	QRE141J-182Y	C RESISTOR	1.8kΩ 1/4W J		FT112	QNG0003-001Z	FUSE CLIP		
R950	QRE141J-101Y	C RESISTOR	100Ω 1/4W J		FT131	QNG0003-001Z	FUSE CLIP		
R951	QRE141J-101Y	C RESISTOR	100Ω 1/4W J		FT132	QNG0003-001Z	FUSE CLIP		
R952	QRE141J-121Y	C RESISTOR	120Ω 1/4W J		FT151	QNG0003-001Z	FUSE CLIP		
R953	QRE141J-151Y	C RESISTOR	150Ω 1/4W J		FT152	QNG0003-001Z	FUSE CLIP		
R954	QRE141J-221Y	C RESISTOR	220Ω 1/4W J		FT511	QNG0003-001Z	FUSE CLIP		
R955	QRE141J-271Y	C RESISTOR	270Ω 1/4W J		FT512	QNG0003-001Z	FUSE CLIP		
R956	QRE141J-183Y	C RESISTOR	18kΩ 1/4W J	UE	FT521	QNG0003-001Z	FUSE CLIP		
R957	QRE141J-183Y	C RESISTOR	18kΩ 1/4W J	UE	FT522	QNG0003-001Z	FUSE CLIP		
R958	QRE141J-823Y	C RESISTOR	82kΩ 1/4W J	UE	FT531	QNG0003-001Z	FUSE CLIP		
R959	QRE141J-823Y	C RESISTOR	82kΩ 1/4W J	UE	FT532	QNG0003-001Z	FUSE CLIP		
R960	QRE141J-101Y	C RESISTOR	100Ω 1/4W J		FW116	QUM153-29DGZ4	FLAT WIRE		
R961	QRE141J-101Y	C RESISTOR	100Ω 1/4W J		FW241	QUM153-18DGZ4	FLAT WIRE		
R962	QRE141J-121Y	C RESISTOR	120Ω 1/4W J		J970	QNS0236-001	PHONE JACK		UN,U S,U,X
R963	QRE141J-151Y	C RESISTOR	150Ω 1/4W J		J971	QNS0235-001	PHONE JACK		UN,U S,U,X
R964	QRE141J-221Y	C RESISTOR	220Ω 1/4W J		J971	QNS0236-001	PHONE JACK		UN,U S,U,X
R965	QRE141J-271Y	C RESISTOR	270Ω 1/4W J		J995	QNS0237-001	PHONE JACK		UN,U S,U,X
R966	QRE141J-391Y	C RESISTOR	390Ω 1/4W J		JS920	QSW0857-001	ROTARY SW		
R967	QRE141J-561Y	C RESISTOR	560Ω 1/4W J		△ S500	QSW0812-001	VOLTAGE SWITCH		
R969	QRE141J-103Y	C RESISTOR	10kΩ 1/4W J	UN,U S,U,X	S920	QSW0825-001Z	TACT SW		
R970	QRE141J-333Y	C RESISTOR	33kΩ 1/4W J	UN,U S,U,X	S939	QSW0825-001Z	TACT SW		
R971	QRE141J-103Y	C RESISTOR	10kΩ 1/4W J	UN,U S,U,X	S940	QSW0825-001Z	TACT SW		
R972	QRE141J-822Y	C RESISTOR	8.2kΩ 1/4W J	UN,U S,U,X	S941	QSW0825-001Z	TACT SW		
R973	QRE141J-203Y	C RESISTOR	20kΩ 1/4W J	UN,U S,U,X					
R974	QRE141J-203Y	C RESISTOR	20kΩ 1/4W J	UN,U S,U,X					
R975	QRE141J-221Y	C RESISTOR	220Ω 1/4W J	UN,U S,U,X					
R976	QRE141J-203Y	C RESISTOR	20kΩ 1/4W J	UN,U S,U,X					
R977	QRE141J-272Y	C RESISTOR	2.7kΩ 1/4W J	UN,U S,U,X					
R978	QRE141J-562Y	C RESISTOR	5.6kΩ 1/4W J	UN,U S,U,X					
R979	QRE141J-102Y	C RESISTOR	1kΩ 1/4W J	UN,U S,U,X					
R980	QRE141J-203Y	C RESISTOR	20kΩ 1/4W J	UN,U S,U,X					

△ Symbol No.	Part No.	Part Name	Description	Local	△ Symbol No.	Part No.	Part Name	Description	Local
S942	QSW0825-001Z	TACT SW			C302	NEA70GM-476X	E CAPACITOR	47uF 4V M	
S943	QSW0825-001Z	TACT SW			C303	NEA70GM-476X	E CAPACITOR	47uF 4V M	
S944	QSW0825-001Z	TACT SW			C304	NCB31CK-104X	C CAPACITOR	0.1uF 16V K	
S945	QSW0825-001Z	TACT SW			C305	NCB31CK-104X	C CAPACITOR	0.1uF 16V K	
S946	QSW0825-001Z	TACT SW			C306	NCB31CK-104X	C CAPACITOR	0.1uF 16V K	
S947	QSW0825-001Z	TACT SW			C307	NCB31CK-104X	C CAPACITOR	0.1uF 16V K	
S948	QSW0825-001Z	TACT SW			C308	NCB31CK-104X	C CAPACITOR	0.1uF 16V K	
S949	QSW0825-001Z	TACT SW			C309	NCB31CK-104X	C CAPACITOR	0.1uF 16V K	
S950	QSW0825-001Z	TACT SW			C310	NCB31CK-104X	C CAPACITOR	0.1uF 16V K	
S951	QSW0825-001Z	TACT SW			C311	NCB31CK-104X	C CAPACITOR	0.1uF 16V K	
S952	QSW0825-001Z	TACT SW			C312	NCB31CK-104X	C CAPACITOR	0.1uF 16V K	
S953	QSW0825-001Z	TACT SW			C313	NCB31CK-104X	C CAPACITOR	0.1uF 16V K	
S954	QSW0825-001Z	TACT SW			C314	NCB31CK-104X	C CAPACITOR	0.1uF 16V K	
S955	QSW0825-001Z	TACT SW			C315	NCB31CK-104X	C CAPACITOR	0.1uF 16V K	
S960	QSW0825-001Z	TACT SW			C316	NCB31CK-104X	C CAPACITOR	0.1uF 16V K	
S961	QSW0825-001Z	TACT SW			C317	NCB31CK-104X	C CAPACITOR	0.1uF 16V K	
S962	QSW0825-001Z	TACT SW			C318	NCB31CK-104X	C CAPACITOR	0.1uF 16V K	
S963	QSW0825-001Z	TACT SW			C319	NCB31CK-104X	C CAPACITOR	0.1uF 16V K	
S964	QSW0825-001Z	TACT SW			C320	NCB31CK-104X	C CAPACITOR	0.1uF 16V K	
S965	QSW0825-001Z	TACT SW			C321	NCB31CK-104X	C CAPACITOR	0.1uF 16V K	
S966	QSW0825-001Z	TACT SW			C322	NCB31CK-104X	C CAPACITOR	0.1uF 16V K	
S967	QSW0825-001Z	TACT SW			C323	NCB31CK-104X	C CAPACITOR	0.1uF 16V K	
TW991	QUB220-18HPDM	S.WIRE			C324	NCB21CK-105X	C CAPACITOR	1uF 16V K	

DVD servo board

Block No. [0][4][0][0]

△ Symbol No.	Part No.	Part Name	Description	Local	△ Symbol No.	Part No.	Part Name	Description	Local
IC201	LA6502-X	IC			C332	NCB31CK-104X	C CAPACITOR	0.1uF 16V K	
IC301	MN2DS0003AA-H	IC			C333	NCB31CK-104X	C CAPACITOR	0.1uF 16V K	
IC302	LM1117MP-ADJ-X	IC			C334	NCB31CK-104X	C CAPACITOR	0.1uF 16V K	
IC453	S-80827CNNB-W	IC			C335	NCB31CK-104X	C CAPACITOR	0.1uF 16V K	
IC505	K4S641632F-TC75	IC(DIGITAL)			C337	NCB31CK-183X	C CAPACITOR	0.018uF 16V K	
IC505	or K4S641632H-TC75	IC(DIGITAL)			C338	NCB31HK-562X	C CAPACITOR	5600pF 50V K	
IC505	or HY57V641620HGT7	IC			C339	NCB31CK-104X	C CAPACITOR	0.1uF 16V K	
IC509	AT49LV1614T90TC	IC (FLASH)			C340	NCB21CK-105X	C CAPACITOR	1uF 16V K	
IC701	AK4384VT-X	IC			C341	NCB30JK-105X	C CAPACITOR	1uF 6.3V K	
Q101	KTA1001/Y/-X	TRANSISTOR			C347	NCB31CK-104X	C CAPACITOR	0.1uF 16V K	
Q101	or 2SB1424/R/-W	TRANSISTOR			C348	NCB31CK-104X	C CAPACITOR	0.1uF 16V K	
Q102	2SC4617/R/-X	TRANSISTOR			C349	NCB31CK-104X	C CAPACITOR	0.1uF 16V K	
Q103	KTA1001/Y/-X	TRANSISTOR			C350	NCB31CK-104X	C CAPACITOR	0.1uF 16V K	
Q103	or 2SB1424/R/-W	TRANSISTOR			C356	NCB21CK-105X	C CAPACITOR	1uF 16V K	
Q104	2SC4617/R/-X	TRANSISTOR			C359	NCB31CK-104X	C CAPACITOR	0.1uF 16V K	
Q105	UN2119-X	TRANSISTOR			C371	NCB21CK-105X	C CAPACITOR	1uF 16V K	
C101	NCB31CK-104X	C CAPACITOR	0.1uF 16V K		C391	NCB31CK-104X	C CAPACITOR	0.1uF 16V K	
C102	NCB31CK-104X	C CAPACITOR	0.1uF 16V K		C455	NCB31CK-103X	C CAPACITOR	0.01uF 16V K	
C103	NCB31CK-104X	C CAPACITOR	0.1uF 16V K		C551	NCB31CK-104X	C CAPACITOR	0.1uF 16V K	
C104	NCB31CK-104X	C CAPACITOR	0.1uF 16V K		C552	NCB31CK-104X	C CAPACITOR	0.1uF 16V K	
C105	NEA70JM-476X	E CAPACITOR	47uF 6.3V M		C553	NBE20JM-226X	TA E CAPACITOR	22uF 6.3V M	
C106	NEA70JM-476X	E CAPACITOR	47uF 6.3V M		C554	NCB31CK-104X	C CAPACITOR	0.1uF 16V K	
C107	NCB31CK-104X	C CAPACITOR	0.1uF 16V K		C555	NCB31CK-104X	C CAPACITOR	0.1uF 16V K	
C108	NEA70JM-476X	E CAPACITOR	47uF 6.3V M		C556	NCB31CK-104X	C CAPACITOR	0.1uF 16V K	
C111	NCB31CK-104X	C CAPACITOR	0.1uF 16V K		C557	NCF31AZ-105X	C CAPACITOR	1uF 10V Z	
C204	NCB31CK-104X	C CAPACITOR	0.1uF 16V K		C558	NCB31CK-104X	C CAPACITOR	0.1uF 16V K	
C205	NCB31HK-271X	C CAPACITOR	270pF 50V K		C559	NCB31CK-104X	C CAPACITOR	0.1uF 16V K	
C206	NDC31HJ-151X	C CAPACITOR	150pF 50V J		C701	NCB31CK-104X	C CAPACITOR	0.1uF 16V K	
C208	NCB31HK-561X	C CAPACITOR	560pF 50V K		C704	NEA70JM-227X	E CAPACITOR	220uF 6.3V M	
C211	NCB31HK-223X	C CAPACITOR	0.022uF 50V K		C706	NEA71CM-106X	E CAPACITOR	10uF 16V M	
C212	NCB31CK-103X	C CAPACITOR	0.01uF 16V K		C707	NCB31CK-104X	C CAPACITOR	0.1uF 16V K	
C217	NCB31CK-104X	C CAPACITOR	0.1uF 16V K		C721	NCB31HK-102X	C CAPACITOR	1000pF 50V K	
C251	NCB31AK-474X	C CAPACITOR	0.47uF 10V K		C902	NCB31CK-104X	C CAPACITOR	0.1uF 16V K	
C253	NCB31HK-561X	C CAPACITOR	560pF 50V K		C903	NCB31CK-104X	C CAPACITOR	0.1uF 16V K	
C255	NCB31CK-153X	C CAPACITOR	0.015uF 16V K		C904	NCB31CK-104X	C CAPACITOR	0.1uF 16V K	
C256	NCB31CK-104X	C CAPACITOR	0.1uF 16V K		C906	NCB31CK-104X	C CAPACITOR	0.1uF 16V K	
C257	NCB31HK-822X	C CAPACITOR	8200pF 50V K		R101	NRSA63J-101X	MG RESISTOR	100Ω 1/16W J	
C258	NCB31CK-153X	C CAPACITOR	0.015uF 16V K		R102	NRSA63J-101X	MG RESISTOR	100Ω 1/16W J	
C259	NCB31CK-153X	C CAPACITOR	0.015uF 16V K		R103	NRSA63J-243X	MG RESISTOR	24kΩ 1/16W J	
C260	NCB31EK-223X	C CAPACITOR	0.022uF 25V K		R104	NRSA63J-303X	MG RESISTOR	30kΩ 1/16W J	
C261	NCB31EK-223X	C CAPACITOR	0.022uF 25V K		R105	NRS125J-270X	MG RESISTOR	27Ω 1/2W J	
C262	NCB31EK-223X	C CAPACITOR	0.022uF 25V K		R106	NRSA63J-2R2X	MG RESISTOR	2.2Ω 1/16W J	
C301	NEA70GM-227X	E CAPACITOR	220uF 4V M		R107	NRSA63J-101X	MG RESISTOR	100Ω 1/16W J	
					R108	NRSA63J-471X	MG RESISTOR	470Ω 1/16W J	
					R109	NRSA63J-471X	MG RESISTOR	470Ω 1/16W J	
					R110	NRSA63J-0R0X	MG RESISTOR	0Ω 1/16W J	
					R111	NRSA63J-243X	MG RESISTOR	24kΩ 1/16W J	
					R112	NRSA63J-303X	MG RESISTOR	30kΩ 1/16W J	
					R113	NRS125J-270X	MG RESISTOR	27Ω 1/2W J	

△ Symbol No.	Part No.	Part Name	Description	Local	△ Symbol No.	Part No.	Part Name	Description	Local
R114	NRSA63J-2R2X	MG RESISTOR	2.2Ω 1/16W J		R394	NRSA63J-0R0X	MG RESISTOR	0Ω 1/16W J	
R115	NRSA63J-101X	MG RESISTOR	100Ω 1/16W J		R395	NRSA02J-0R0X	MG RESISTOR	0Ω 1/10W J	
R116	NRSA63J-471X	MG RESISTOR	470Ω 1/16W J		R457	NRSA63J-0R0X	MG RESISTOR	0Ω 1/16W J	
R117	NRSA63J-331X	MG RESISTOR	330Ω 1/16W J		R458	NRSA63J-102X	MG RESISTOR	1kΩ 1/16W J	
R118	NRSA63J-0R0X	MG RESISTOR	0Ω 1/16W J		R501	NRSA63J-471X	MG RESISTOR	470Ω 1/16W J	
R119	NRSA63J-0R0X	MG RESISTOR	0Ω 1/16W J		R502	NRSA63J-471X	MG RESISTOR	470Ω 1/16W J	
R120	NRSA63J-0R0X	MG RESISTOR	0Ω 1/16W J		R510	NRSA63J-0R0X	MG RESISTOR	0Ω 1/16W J	
R122	NRSA63J-0R0X	MG RESISTOR	0Ω 1/16W J		R551	NRSA63J-102X	MG RESISTOR	1kΩ 1/16W J	
R123	NRSA63J-0R0X	MG RESISTOR	0Ω 1/16W J		R553	NRSA63J-0R0X	MG RESISTOR	0Ω 1/16W J	
R125	NRS125J-1R0X	MG RESISTOR	1Ω 1/2W J		R554	NRSA63J-0R0X	MG RESISTOR	0Ω 1/16W J	
R126	NRSA02J-181X	MG RESISTOR	180Ω 1/10W J		R555	NRSA63J-0R0X	MG RESISTOR	0Ω 1/16W J	
R128	NRSA63J-0R0X	MG RESISTOR	0Ω 1/16W J		R556	NRSA63J-0R0X	MG RESISTOR	0Ω 1/16W J	
R204	NRSA63J-273X	MG RESISTOR	27kΩ 1/16W J		R557	NRSA63J-0R0X	MG RESISTOR	0Ω 1/16W J	
R205	NRSA63J-273X	MG RESISTOR	27kΩ 1/16W J		R558	NRSA63J-102X	MG RESISTOR	1kΩ 1/16W J	
R206	NRSA63J-303X	MG RESISTOR	30kΩ 1/16W J		R701	NRSA63J-1R0X	MG RESISTOR	1Ω 1/16W J	
R207	NRSA63J-473X	MG RESISTOR	47kΩ 1/16W J		R702	NRSA63J-0R0X	MG RESISTOR	0Ω 1/16W J	
R208	NRSA63J-223X	MG RESISTOR	22kΩ 1/16W J		R710	NRSA63J-100X	MG RESISTOR	10Ω 1/16W J	
R213	NRSA63J-103X	MG RESISTOR	10kΩ 1/16W J		R711	NRSA63J-221X	MG RESISTOR	220Ω 1/16W J	
R214	NRSA63J-103X	MG RESISTOR	10kΩ 1/16W J		R712	NRSA63J-221X	MG RESISTOR	220Ω 1/16W J	
R215	NRSA63J-103X	MG RESISTOR	10kΩ 1/16W J		R713	NRSA63J-221X	MG RESISTOR	220Ω 1/16W J	
R219	NRSA63J-183X	MG RESISTOR	18kΩ 1/16W J		R716	NRSA63J-0R0X	MG RESISTOR	0Ω 1/16W J	
R220	NRSA63J-243X	MG RESISTOR	24kΩ 1/16W J		R718	NRSA63J-473X	MG RESISTOR	47kΩ 1/16W J	
R221	NRSA63J-682X	MG RESISTOR	6.8kΩ 1/16W J		R719	NRSA63J-0R0X	MG RESISTOR	0Ω 1/16W J	
R251	NRS125J-R47X	MG RESISTOR	0.47Ω 1/2W J		R723	NRSA63J-101X	MG RESISTOR	100Ω 1/16W J	
R252	NRSA63J-2R2X	MG RESISTOR	2.2Ω 1/16W J		R724	NRSA63J-101X	MG RESISTOR	100Ω 1/16W J	
R254	NRSA63J-203X	MG RESISTOR	20kΩ 1/16W J		R725	NRSA63J-101X	MG RESISTOR	100Ω 1/16W J	
R255	NRSA63J-103X	MG RESISTOR	10kΩ 1/16W J		R727	NRSA63J-101X	MG RESISTOR	100Ω 1/16W J	
R257	NRSA63J-0R0X	MG RESISTOR	0Ω 1/16W J		R728	NRSA63J-0R0X	MG RESISTOR	0Ω 1/16W J	
R259	NRSA63J-103X	MG RESISTOR	10kΩ 1/16W J		R909	NRSA02J-0R0X	MG RESISTOR	0Ω 1/10W J	
R302	NRSA63J-240X	MG RESISTOR	24Ω 1/16W J		R911	NRSA02J-0R0X	MG RESISTOR	0Ω 1/10W J	
R303	NRSA63J-270X	MG RESISTOR	27Ω 1/16W J		L501	NQL044K-100X	COIL	0.20Ω 10uH K	
R306	NRSA63J-102X	MG RESISTOR	1kΩ 1/16W J		CN101	QGF0523F1-24W	CONNECTOR	FFC/FPC (1-24)	
R307	NRSA63J-102X	MG RESISTOR	1kΩ 1/16W J		CN201	QGF1016F2-08W	CONNECTOR	FFC/FPC (1-8)	
R308	NRSA63J-223X	MG RESISTOR	22kΩ 1/16W J		CN501	QGF1016F2-19W	CONNECTOR	FFC/FPC (1-19)	
R309	NRSA63J-104X	MG RESISTOR	100kΩ 1/16W J		CN502	QGF1016F2-08W	CONNECTOR	FFC/FPC (1-8)	
R310	NRS125J-R47X	MG RESISTOR	0.47Ω 1/2W J		CN503	QGF1016F2-17W	CONNECTOR	FFC/FPC (1-17)	
R312	NRSA63J-0R0X	MG RESISTOR	0Ω 1/16W J		K101	NRSA02J-0R0X	MG RESISTOR	0Ω 1/10W J	
R313	NRSA63J-0R0X	MG RESISTOR	0Ω 1/16W J		K102	NRSA02J-0R0X	MG RESISTOR	0Ω 1/10W J	
R314	NRSA63J-0R0X	MG RESISTOR	0Ω 1/16W J		K301	NQR0354-001X	FERRITE BEADS		
R315	NRSA63J-0R0X	MG RESISTOR	0Ω 1/16W J		K302	NRSA63J-101X	MG RESISTOR	100Ω 1/16W J	
R316	NRSA63J-0R0X	MG RESISTOR	0Ω 1/16W J		K303	NRSA63J-101X	MG RESISTOR	100Ω 1/16W J	
R317	NRSA63J-0R0X	MG RESISTOR	0Ω 1/16W J		K551	NQR0129-002X	FERRITE BEADS		
R318	NRSA63J-333X	MG RESISTOR	33kΩ 1/16W J		K552	NQR0129-002X	FERRITE BEADS		
R319	NRSA63J-0R0X	MG RESISTOR	0Ω 1/16W J		K553	NQR0129-002X	FERRITE BEADS		
R320	NRSA63J-103X	MG RESISTOR	10kΩ 1/16W J		K554	NQR0129-002X	FERRITE BEADS		
R322	NRSA63J-473X	MG RESISTOR	47kΩ 1/16W J		K555	NQR0022-005X	FERRITE BEADS		
R323	NRSA63J-0R0X	MG RESISTOR	0Ω 1/16W J		K556	NQR0129-002X	FERRITE BEADS		
R325	NRSA63J-331X	MG RESISTOR	330Ω 1/16W J		K721	NQR0251-004X	FERRITE BEADS		
R326	NRSA63J-331X	MG RESISTOR	330Ω 1/16W J		K722	NQR0251-004X	FERRITE BEADS		
R333	NRSA63J-163X	MG RESISTOR	16kΩ 1/16W J		K723	NQR0251-004X	FERRITE BEADS		
R334	NRSA63J-151X	MG RESISTOR	150Ω 1/16W J		X351	NAX0550-001X	CRYSTAL	27.000MHz	
R335	NRSA63J-151X	MG RESISTOR	150Ω 1/16W J						
R336	NRSA63J-151X	MG RESISTOR	150Ω 1/16W J						
R337	NRSA63J-151X	MG RESISTOR	150Ω 1/16W J						
R338	NRSA63J-0R0X	MG RESISTOR	0Ω 1/16W J						
R339	NRSA63J-0R0X	MG RESISTOR	0Ω 1/16W J						
R340	NRSA63D-303X	MG RESISTOR	30kΩ 1/16W D						
R341	NRSA63D-362X	MG RESISTOR	3.6kΩ 1/16W D						
R342	NRSA63D-222X	MG RESISTOR	2.2kΩ 1/16W D						
R343	NRSA63J-0R0X	MG RESISTOR	0Ω 1/16W J						
R345	NRSA63J-0R0X	MG RESISTOR	0Ω 1/16W J						
R351	NRSA63J-681X	MG RESISTOR	680Ω 1/16W J						
R352	NRSA63J-105X	MG RESISTOR	1MΩ 1/16W J						
R357	NRSA63J-0R0X	MG RESISTOR	0Ω 1/16W J						
R358	NRSA63J-0R0X	MG RESISTOR	0Ω 1/16W J						
R361	NRSA63J-0R0X	MG RESISTOR	0Ω 1/16W J						
R362	NRSA63J-331X	MG RESISTOR	330Ω 1/16W J						
R363	NRSA63J-151X	MG RESISTOR	150Ω 1/16W J						
R372	NRSA63J-102X	MG RESISTOR	1kΩ 1/16W J						
R373	NRSA63J-102X	MG RESISTOR	1kΩ 1/16W J						
R378	NRSA63J-102X	MG RESISTOR	1kΩ 1/16W J						
R379	NRSA63J-102X	MG RESISTOR	1kΩ 1/16W J						
R384	NRSA63J-102X	MG RESISTOR	1kΩ 1/16W J						
R385	NRSA63J-102X	MG RESISTOR	1kΩ 1/16W J						
R390	NRSA63J-472X	MG RESISTOR	4.7kΩ 1/16W J						
R391	NAD0025-103X	N THERMISTOR	10kΩ						
R392	NRSA63J-103X	MG RESISTOR	10kΩ 1/16W J						
R393	NRSA63J-0R0X	MG RESISTOR	0Ω 1/16W J						

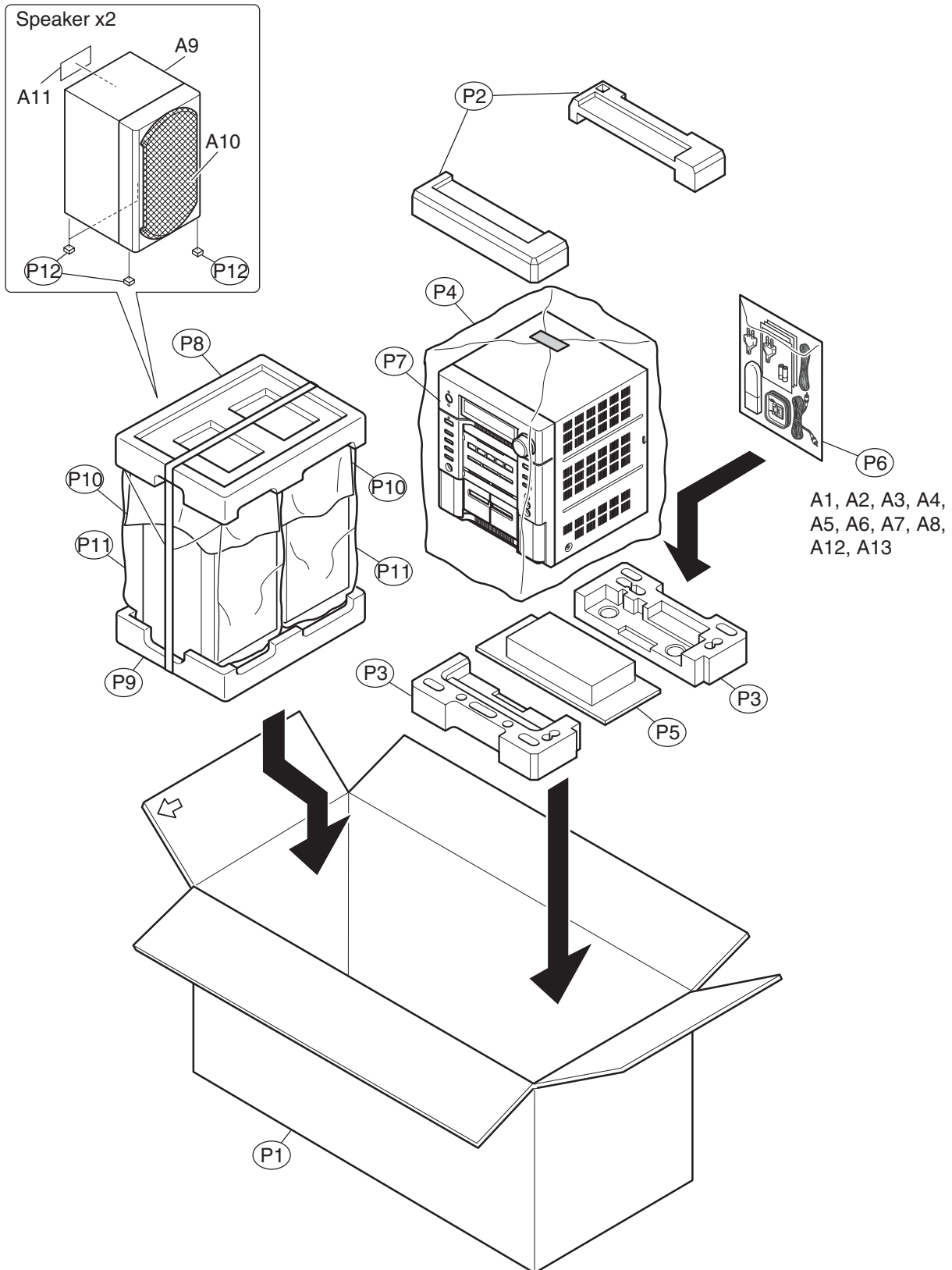
DVD loading switch board

Block No. [0][5][0][0]

△ Symbol No.	Part No.	Part Name	Description	Local
CN1	QGF1016F3-05	CONNECTOR	FFC/FPC (1-5)	
S1	QSW1007-001	DETECT SWITCH		

Packing materials and accessories parts list

Block No. **M** **3** **M** **M**



Packing and Accessories

Block No. [M][3][M][M]

△ Symbol No.	Part No.	Part Name	Description	Local
A 1	QAL0014-001	AM LOOP ANT		
A 2	QAL0457-001	ANT.WIRE		
△ A 3	QAM0112-002	PLUG ADAPTOR		UE,U N,US
A 4	QAM0216-001	SIGNAL CORD		
A 5	RM-SMXJD3A	REMOCON		UE
A 5	RM-SMXJD3U	REMOCON		UN,U S,UX
A 6	-----	BATTERY	(x2)	
A 7	GVT0126-003A	INST.	TUR	UE
A 7	GVT0126-001A	INST	ENG CHI(PEKIN)	UN,U S
A 7	GVT0126-002A	INST.	ENG	UX
A 8	GV40524-001A	NOTICE SHEET		UE,U N,US
A 8	GV40524-001B	NOTICE SHEET		UX
A 9	MXJD3K-SPBOX	SPEAKER BOX	(x2)	
A 10	J201-XJD301G-10	SPK NET ASSY	(x2)	
A 11	600-0JD3US-00	SPEC LABEL	(x2)	
△ A 12	VMZ0139-001	CONTHI PLUG		UX
A 13	GVT0126-005A	INST.	ARA PER	UX
P 1	GV20290-006A	CARTON ASSY.		UE
P 1	GV20290-004A	CARTON ASSY.		UN,U S
P 1	GV20290-005A	CARTON ASSY.		UX
P 2	GV10223-001A	CUSHION (TOP)		
P 3	GV10224-001A	CUSHION (BOTTOM)		
P 4	QPC06507030P	POLY BAG	65cm x 70cm	
P 5	GV30209-003A	CARTON SPACER		
P 6	QPC02503515P	POLY BAG	25cm x 35cm	
P 7	GV40437-003A	CLOTH		
P 8	720-MXJD3T-00	TOP CUSHION		
P 9	720-MXJD3B-00	BOTTOM CUSHION		
P 10	715-250031-00	MIRAMAT SHEET	(x2)	
P 11	700-120034-20	HDPE BAG	(x2)	
P 12	441-802104-00	LEG CUSHION	(x8)	